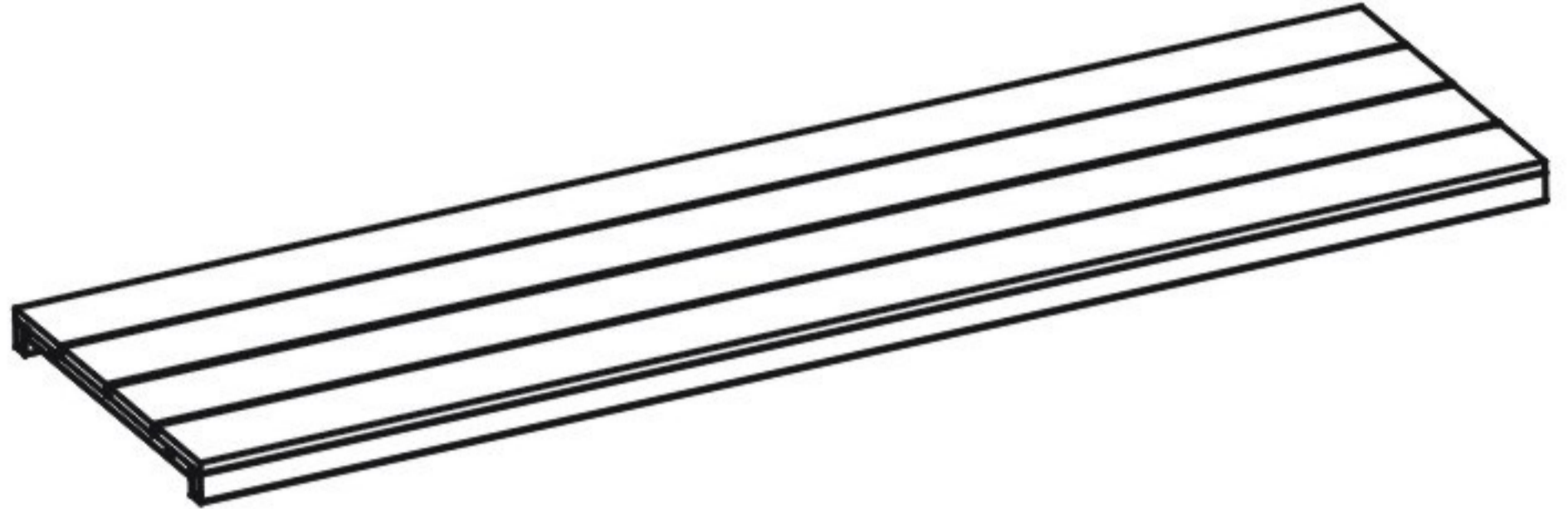





**ITEM NAME /NOM D' ITEM:METROPOLITAN BENCH**  
**ITEM # /NO. ITEM:701862**

Enquiry:parts@zuomod.com

**PART LIST/Liste des pièces**

(1)	(2)	(3)
 <p style="text-align: right;">X1</p>	 <p style="text-align: right;">X2</p>	<p>1.  X8</p> <p>2.  X1</p>

**INSTRUCTION**

