


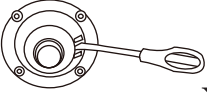
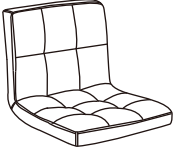
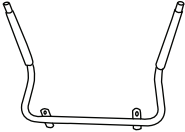



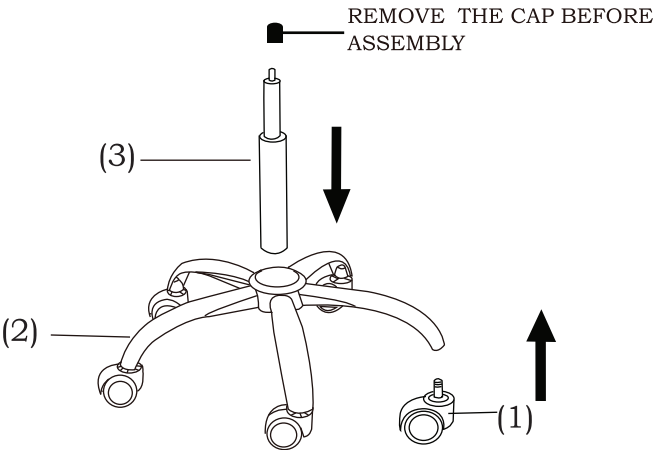
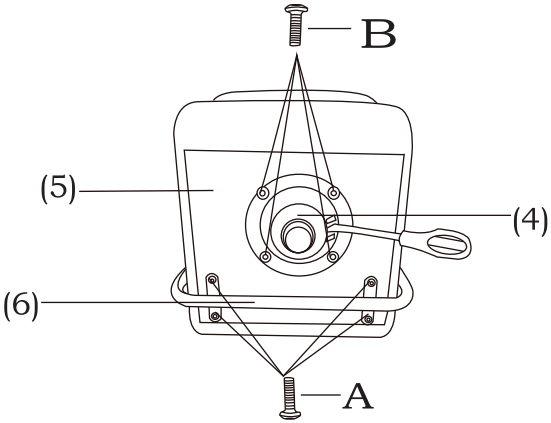
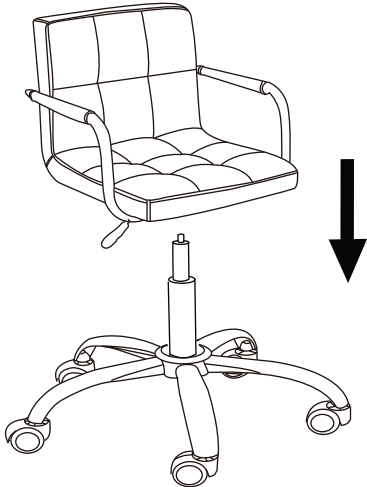
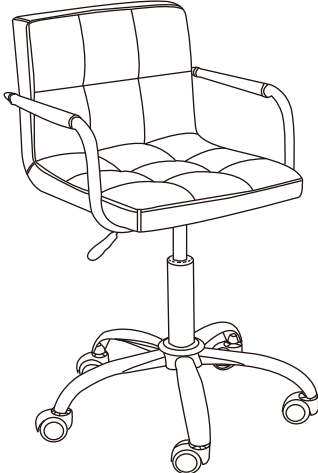


ITEM NAME/NOM D'ITEM: KERRY OFFICE CHAIR
ITEM #/NO. ITEM: 101943/101944/101945

PARTS LIST/LISTE DES PIÈCES

(1)	(2)	(3)	(4)
 X5	 X1	 X1	 X1
(5)	(6)	(7)	
 X1	 X1	A.  M6x18mm (White) x4	
		B.  M6x18mm (Black) x4	
		C.  5mm x1	

ASSEMBLY INSTRUCTIONS/INSTRUCTIONS D'ASSEMBLAGE

<p>I</p>  <p>REMOVE THE CAP BEFORE ASSEMBLY</p>	<p>II</p> 
<p>III</p> 	<p>IV</p> 

For missing parts or damaged parts, please call

USA : 1-866-798-6663
 Canada : 514-382-6661