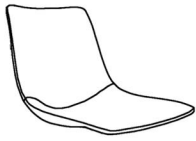


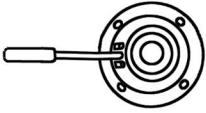
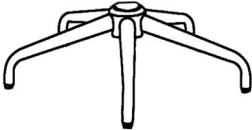
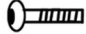
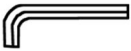


**ITEM NAME/ NOM D'ITEM:BYRON OFFICE CHAIR**

**ITEM#/NO. ITEM:101780/101781/101782**

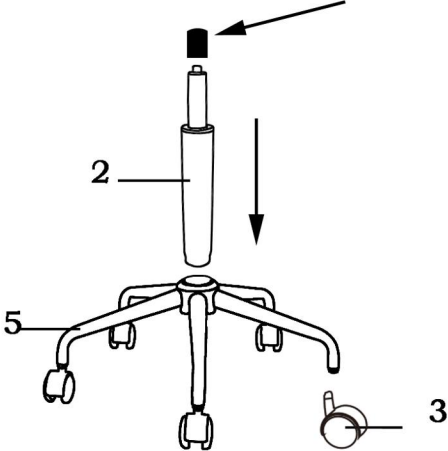
**PART LIST / LISTE DES PIÈCES**

(1)	(2)	(3)
 x1	 x1	 x5
(4)	(5)	(6)
 x1	 x1	A.  M6x18mm x4 B.  5mm x1

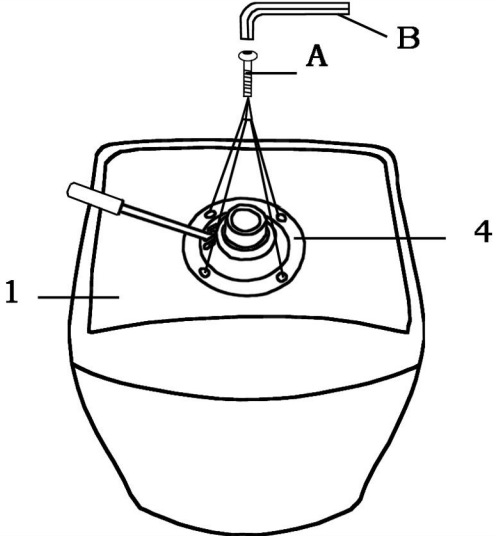
**ASSEMBLY INSTRUCTIONS / INSTRUCTIONS D'ASSEMBLAGE**

**I**

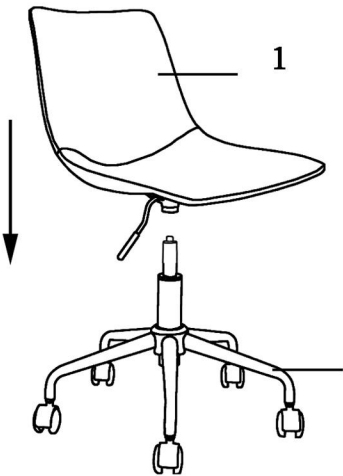
REMOVE THE CAP BEFORE ASSEMBLE



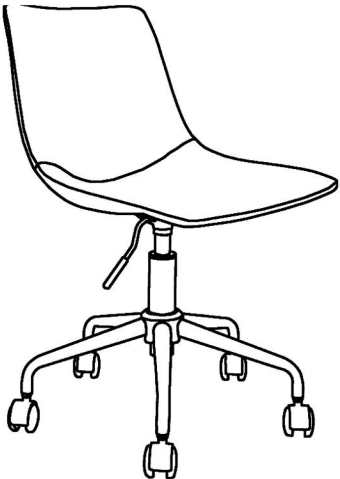
**II**



**III**



**IV**



For missing parts or damaged parts, please call

USA : 1-866-798-6663

Canada : 514-382-6661