

# ITEM NAME /NOM D' ITEM:MAGNUS BAR CHAIR

ITEM # /NO. ITEM:101274 (GRAY&STAINLESS)

101275 (WHITE&STAINLESS)

101276 (BLACK&STAINLESS)

101277 (GRAY&WALNUT)

101278 (WHITE&WALNUT)

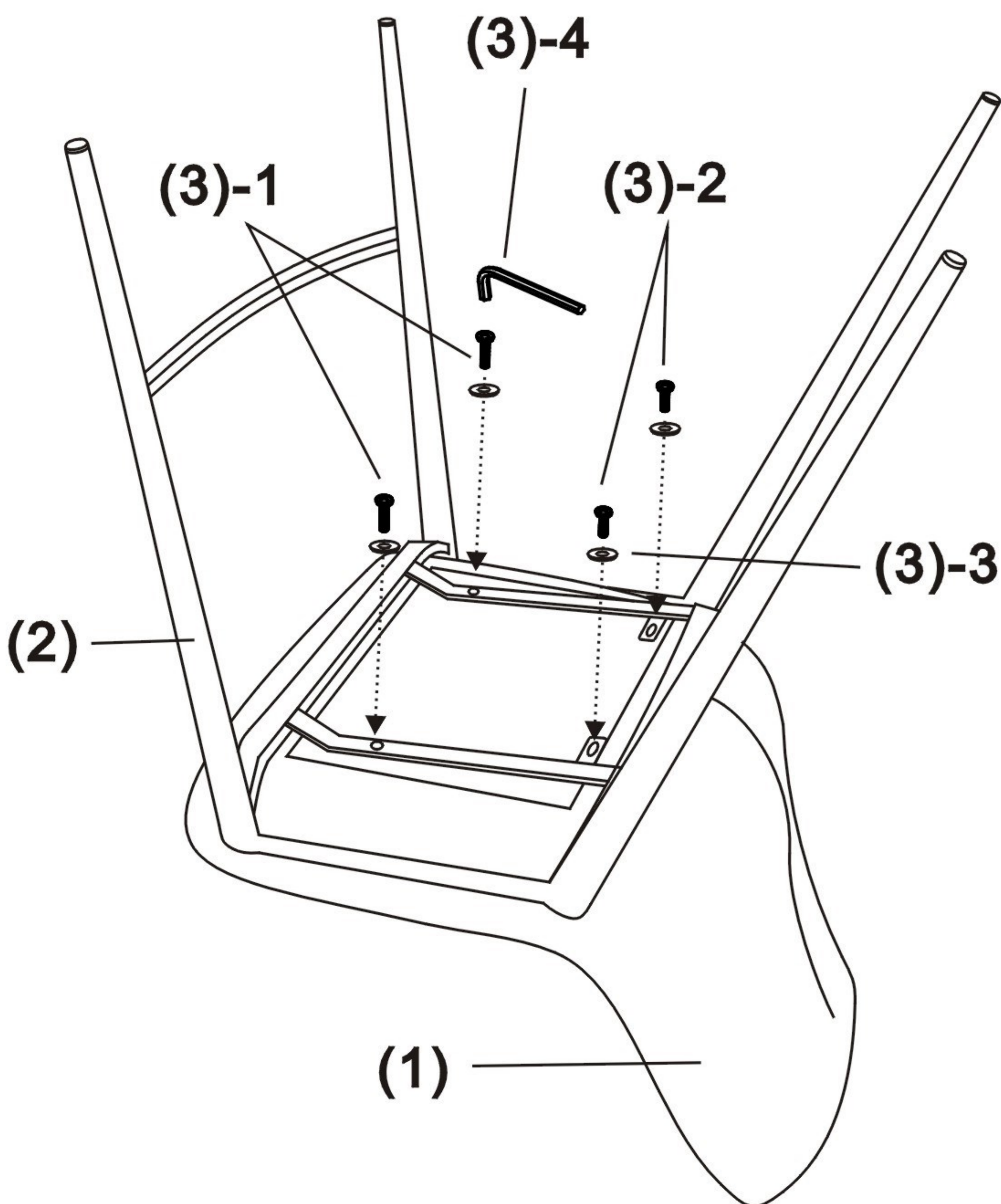
Enquiry:parts@zuomod.com

## PART LIST/Liste des pièces

(1)	(2)	(3)
 X1	 X1	1.  X2 M4*25mm 2.  X2 M4*20mm 3.  X4 4.  X1

## INSTRUCTION

**A**



**B**

