

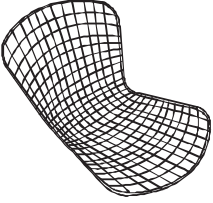

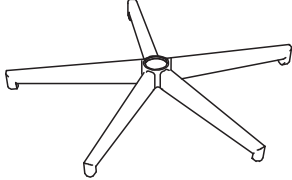


ITEM NAME /NOM D' ITEM:WIRE OFFICE CHAIR

ITEM # /NO. ITEM:100948 (CHROME W/WHITE CUSHION)

100949 (BLACK W/BLACK CUSHION)

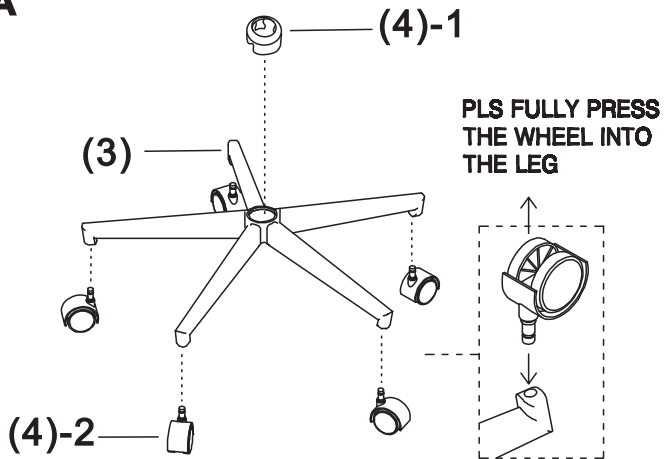
Enquiry:parts@zuomod.com

PART LIST/Liste des pièces

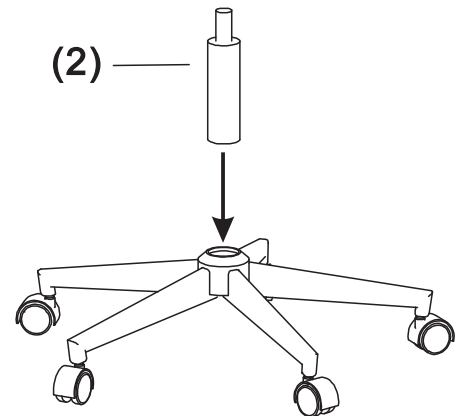
(1)	(2)	(3)	(4)
 X1	 X1	 X1	1.  X 1 2.  X 5

INSTRUCTION

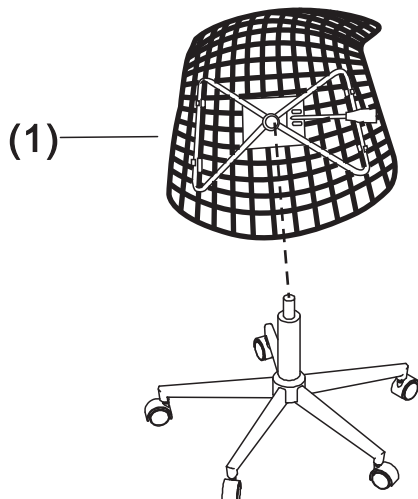
A



B



C



D

