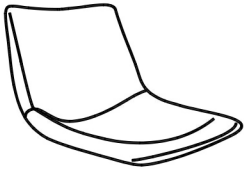
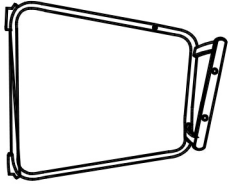
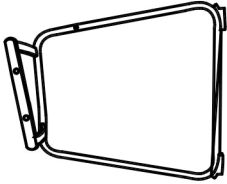
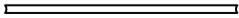






ITEM NAME/ NOM D' ITEM: SMART DINING CHAIR

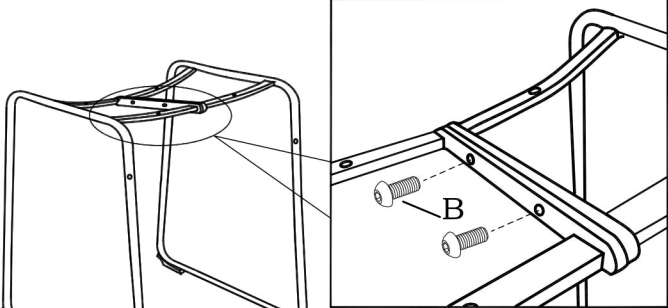
ITEM #/NO.ITEM: 100505 / 100842

PARTS LIST/LISTE DES PIÈCES

(1)	(2)	(3)	(4)	(5)
				A.  M6 x 30mm x2 B.  M8 x 14mm x2 C.  M6 x 25mm x4 D.  6mm x1
x1	x1	x1	x1	

ASSEMBLY INSTRUCTIONS/INSTRUCTIONS D'ASSEMBLAGE

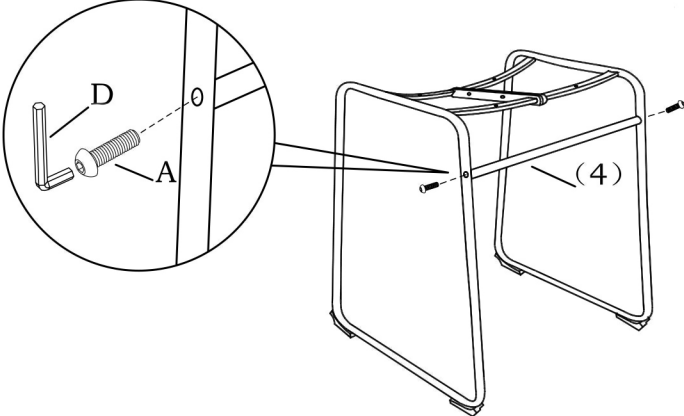
I



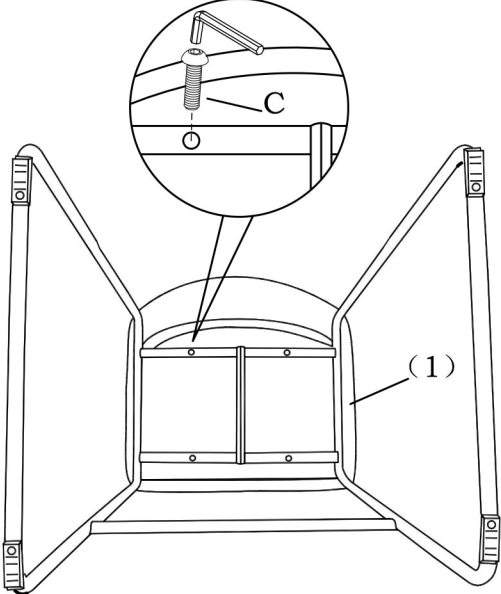
* Make sure (2) & (3) are parallel and just 80% tightening (B). (No screw up).

(3) After everything screwed in the right place, sit and make sure the chair is balance then tighten the screws (B) in the final stage.

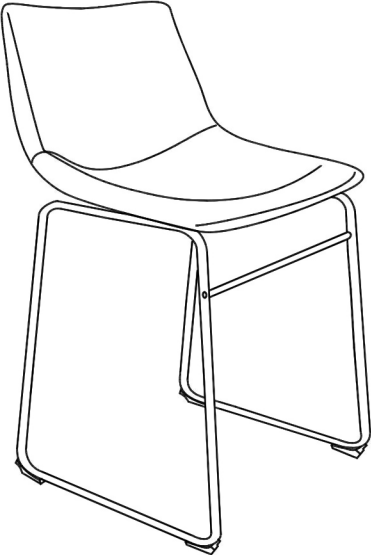
II



III



IV



For missing parts or damaged parts, please call

USA : 1-866-798-6663

Canada : 514-382-6661

AI 2-181201