
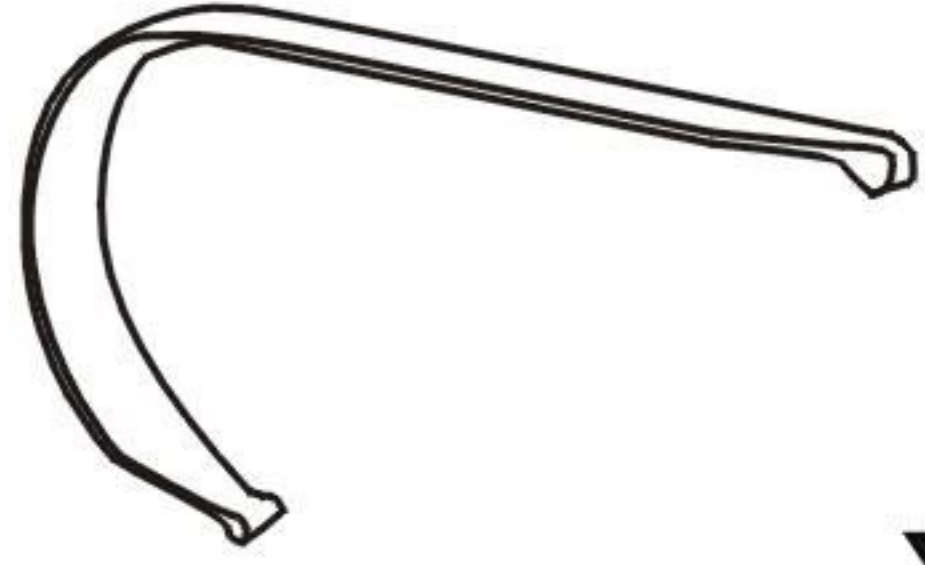
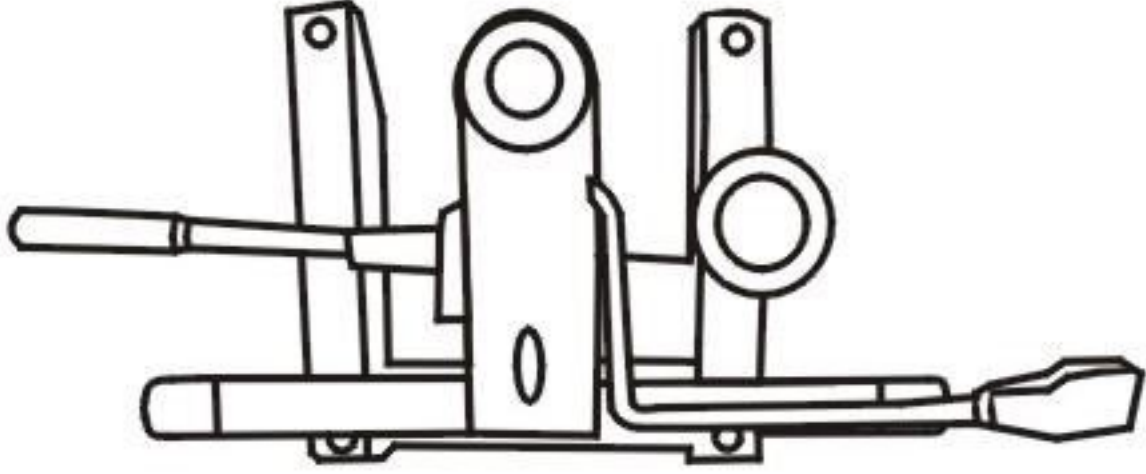

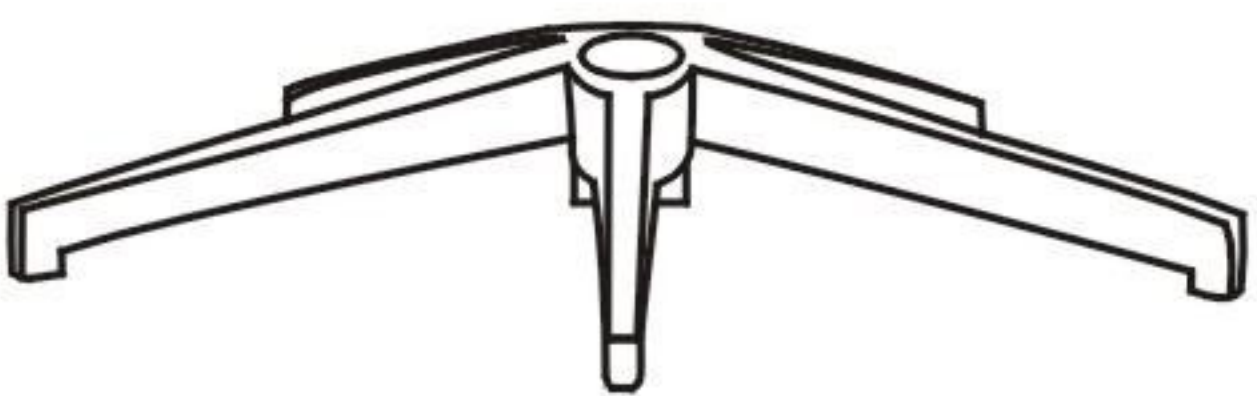






ITEM NAME /NOM D' ITEM:GLIDER HI BACK OFFICE CHAIR

ITEM # /NO. ITEM:100371 (BLACK/NOIR) 100372 (WHITE/BLANC)
 100373 (TAUPE) 100834 (GRAY/GRIS)

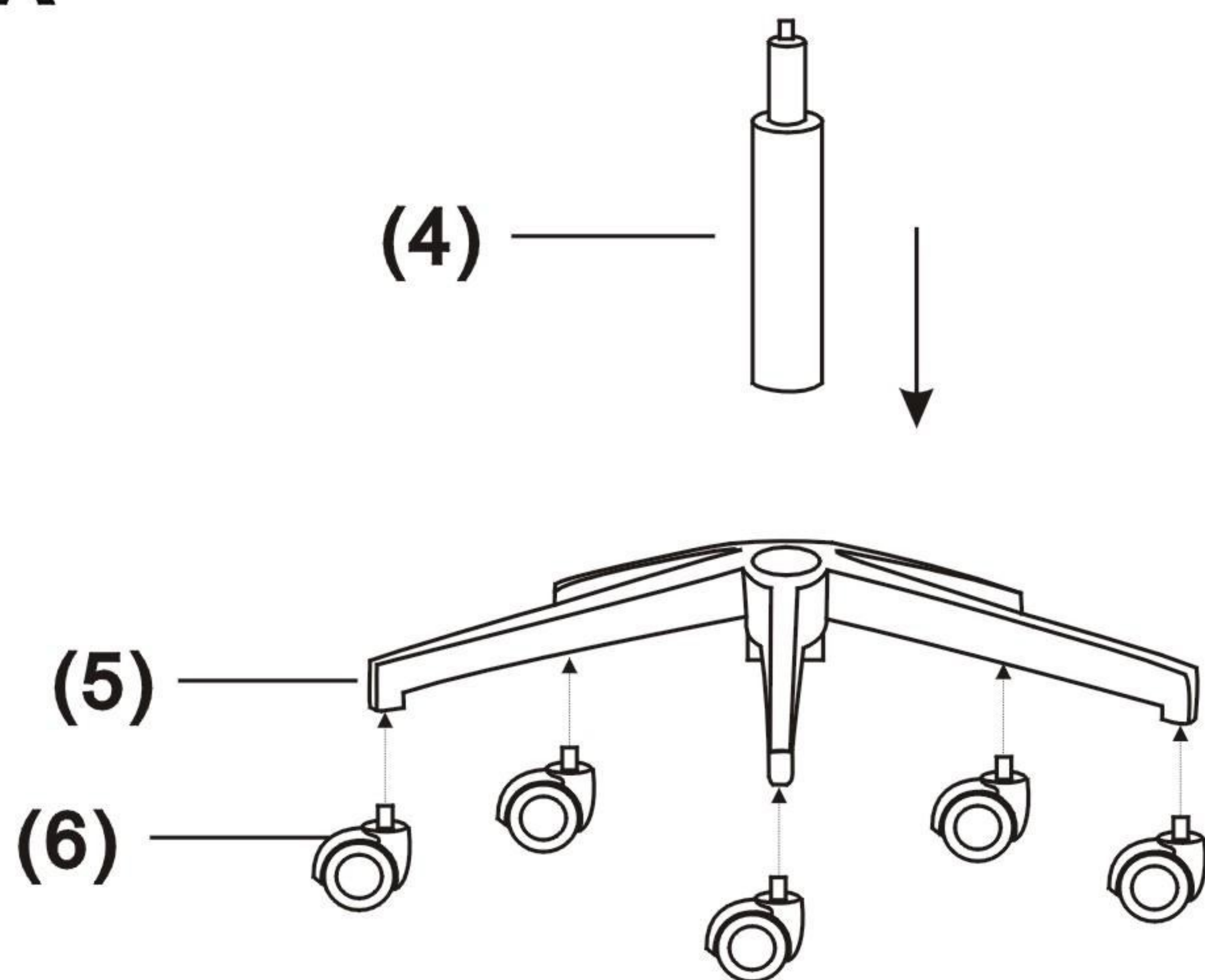
Enquiry:parts@zuomod.com

PART LIST/Liste des pièces

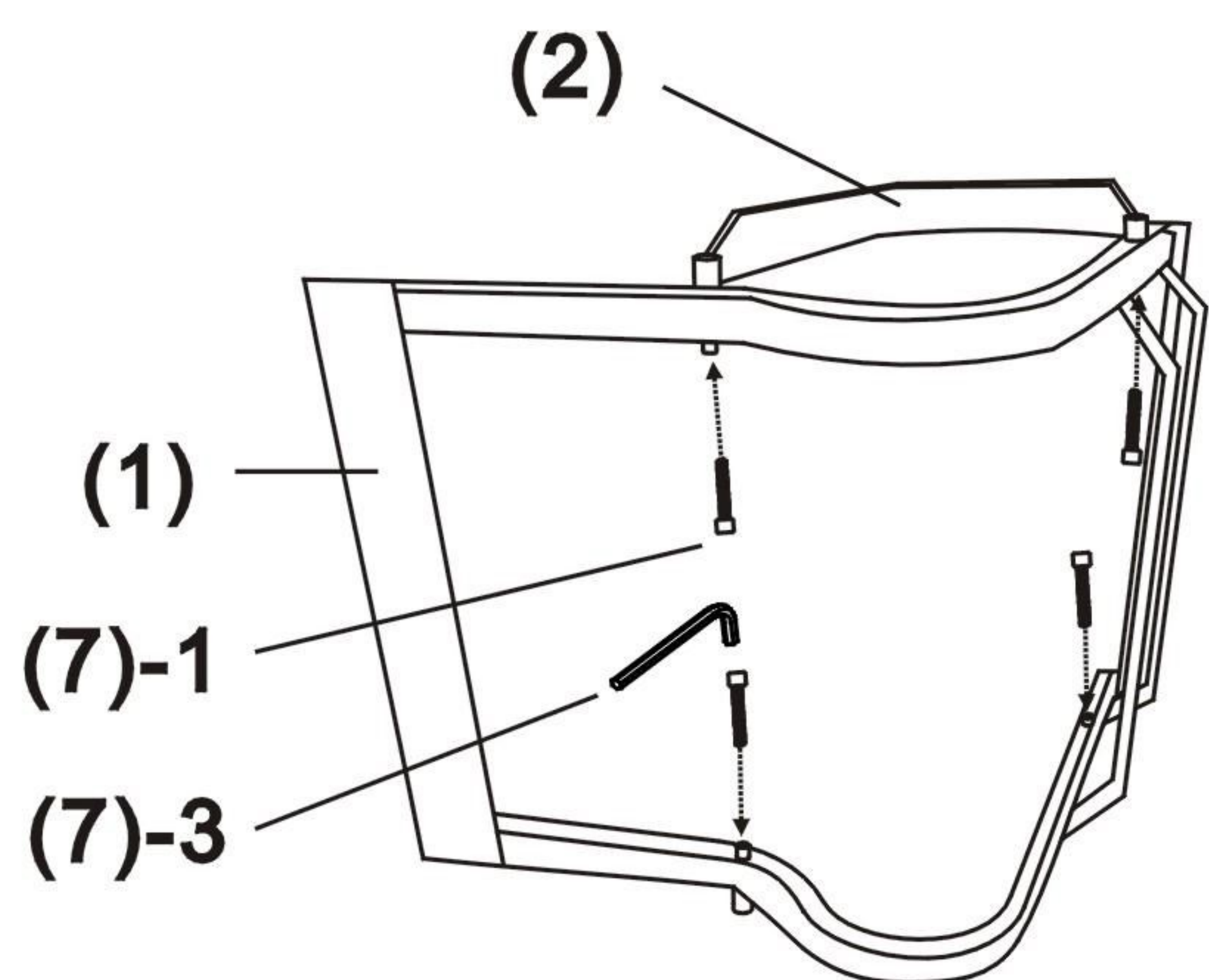
(1)	(2)	(3)	(4)
 X1	 X2	 X1	 X1
(5)	(6)	(7)	
 X1	 X5	1.  X4 8*40mm 2.  X4 8*16mm 3.  X1	

INSTRUCTION

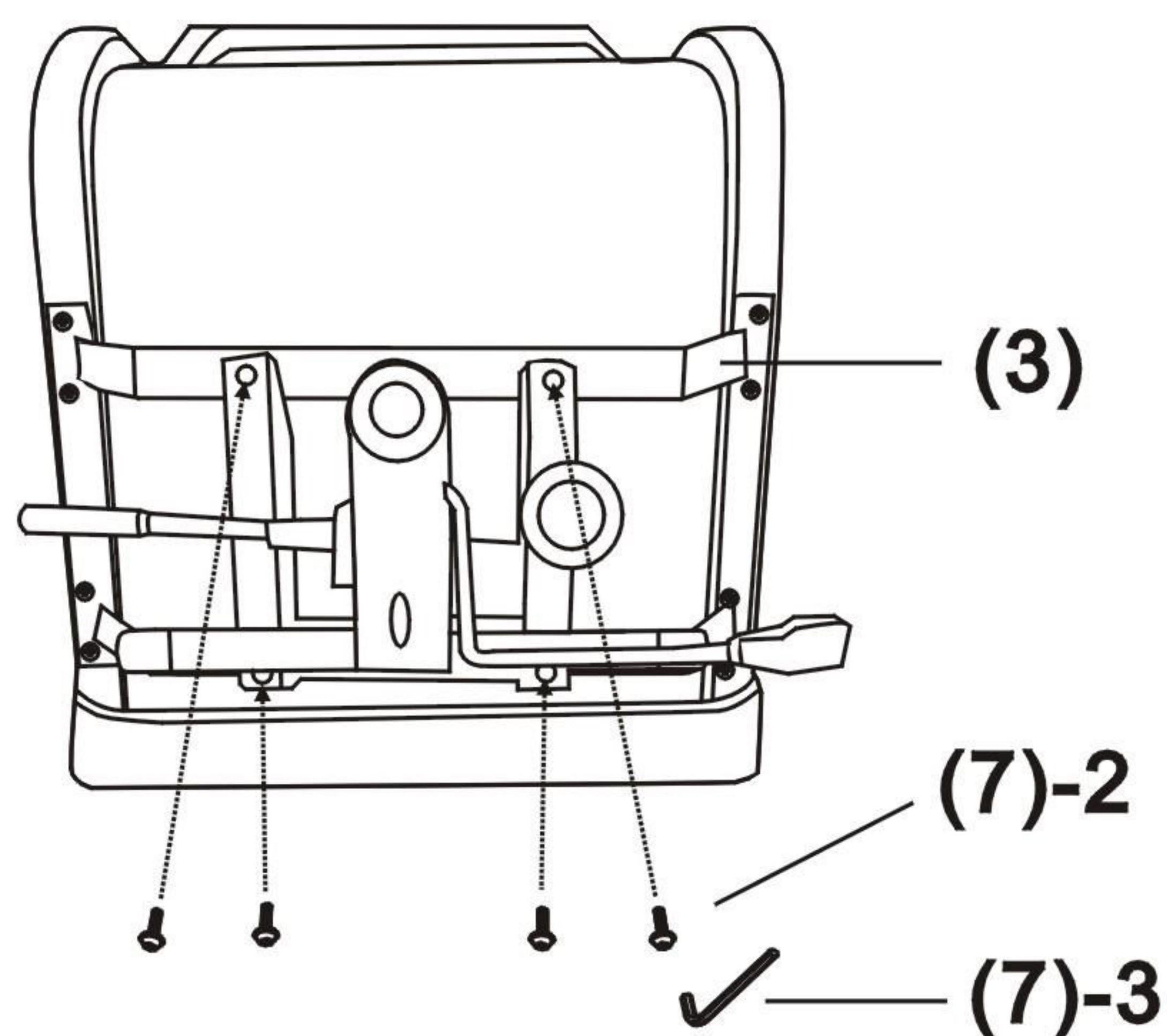
A



B



C



D

