

## AGORÀ

ZAG406.195E 3 hole basin mixer fixed spout.



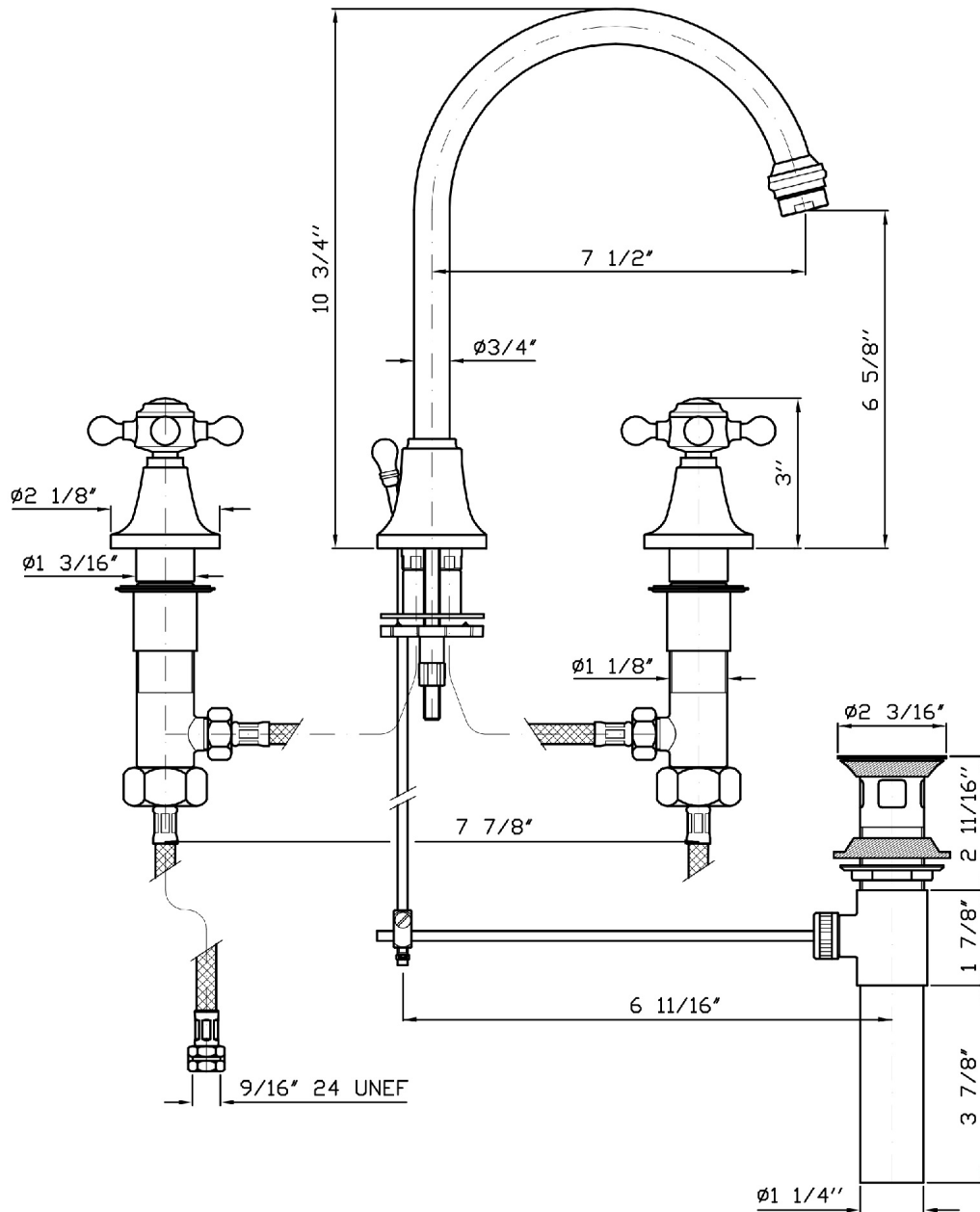
3 hole basin mixer fixed spout with aerator, 1 ¼" pop-up waste, flexible hoses.  
Spout projection 7 1/2".  
Water flow restricted to 1,2 GPM.

### Finiture / Finishes

		C8		C40		C41
Chrome	Polished Nickel		Gold		Brushed Gold	

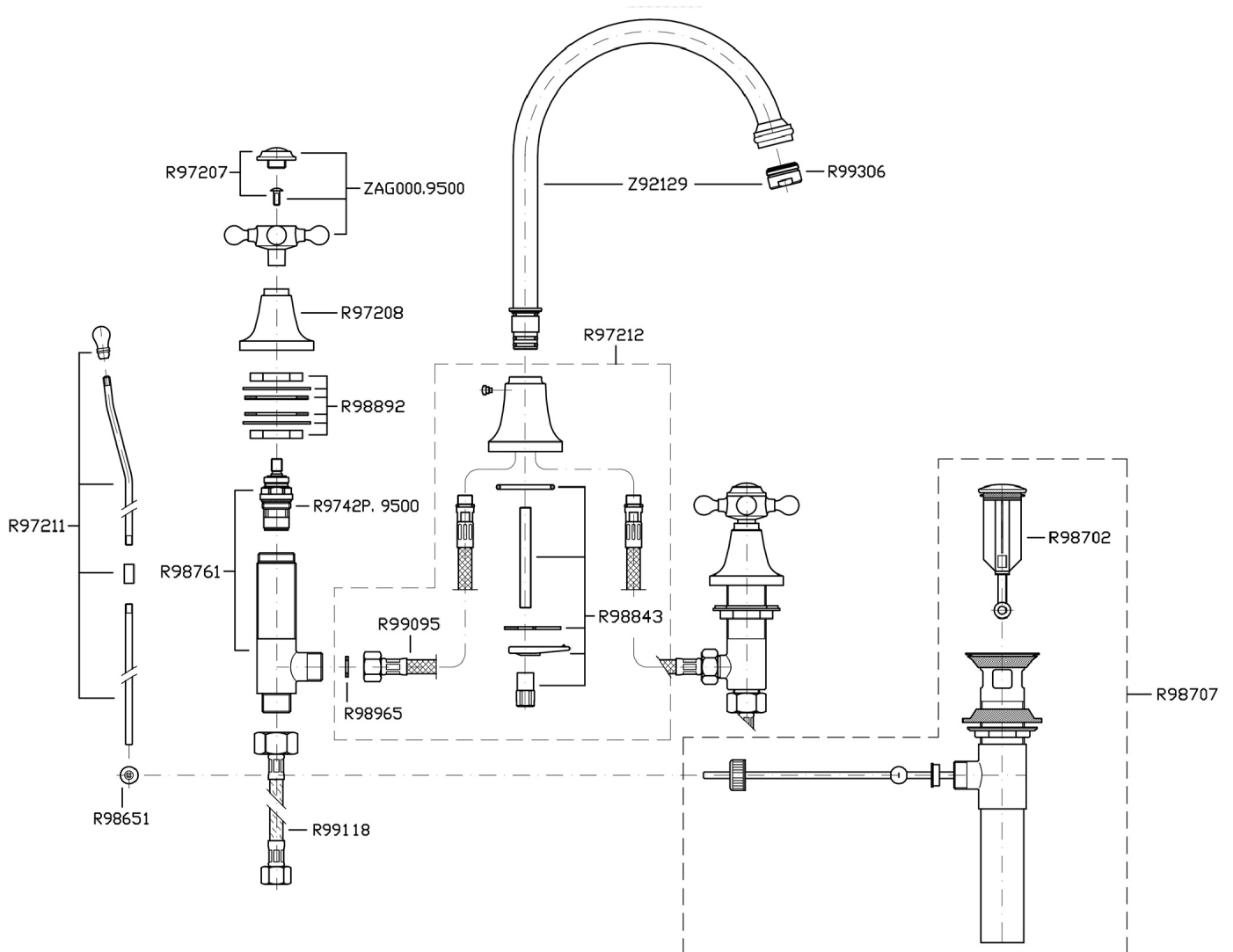
## AGORÀ

ZAG406.195E Disegno Complessivo / Overall Drawing



## AGORÀ

ZAG406.195E Esplosi / Exploded



## AGORÀ

### ZAG406.195E Certificazioni / Certifications

USA

CSA

## AGORÀ

### ZAG406.195E Pesì e Misure / Weights and Sizes

Peso ( Kg ) Weight ( lb )	35 ( Kg )	77,161 ( lb )
Volume ( dc3 ) - ( in3 )	15,98 ( dc3 )	0,000975 ( in3 )
h ( mm ) - ( in )	90 ( mm )	3,543309 ( in )
L1 ( mm ) - ( in )	335 ( mm )	13,1889835 ( in )
L2 ( mm ) - ( in )	530 ( mm )	20,866153 ( in )

