

Keane™ Four-Hole Roman Tub Filler Trim

FEATURES

- Lever handles
- Brass construction
- Includes handshower and 60" metal shower hose
- For use with the four-hole Roman tub filler rough-in (TBMV2)

COLORS/FINISHES

- #CP Polished Chrome
- #BN Brushed Nickel
- #PN Polished Nickel



CODES/STANDARDS

- Meets or exceeds ASME A112.18.1/CSA B125.1
- Certifications: IAPMO(cUPC), State of Massachusetts and others
- Code Compliance: UPC, IPC, NSPC, NPC Canada, and others



PRODUCT SPECIFICATION

Four-hole roman tub filler trim shall have a brass construction. Product shall have lever handles. Product shall include handshower and 60" metal shower hose. Product requires TBMV2 rough-in, sold separately. Product shall be **TOTO Model TB211S# _____**.

TB211S

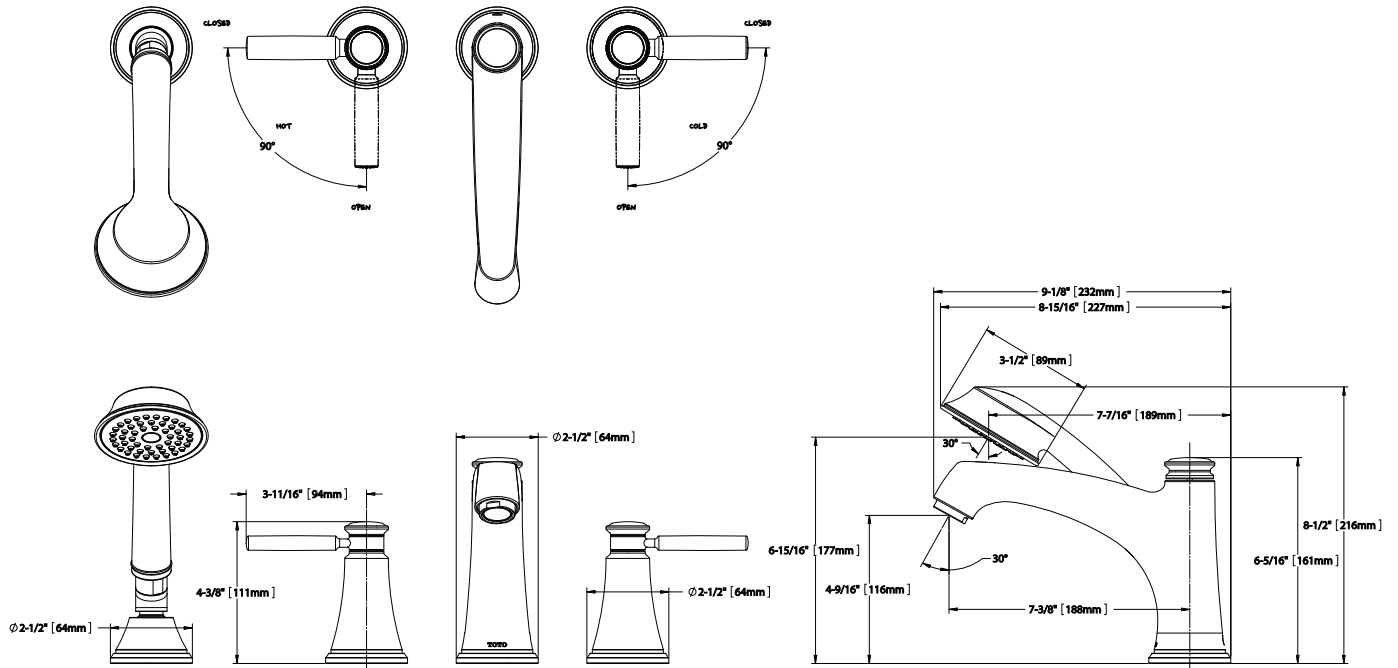
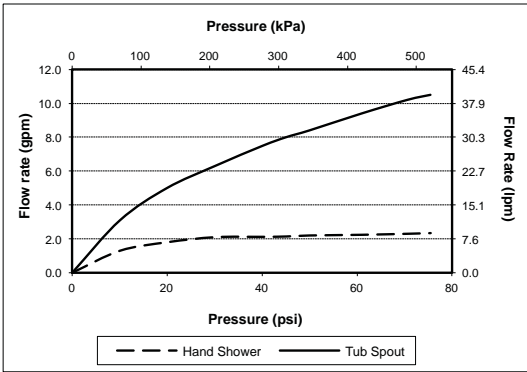
Keane™ Four-Hole Roman Tub Trim

SPECIFICATIONS

- Warranty: Lifetime Limited Warranty (Residential Use)
One Year (Commercial Use)
- Material: Brass
- Shipping: Weight 8.6 lbs.
- Shipping Dimensions: 11-1/2" L x 8-1/4" W x 6" H

INSTALLATION NOTES

VALVE REQUIRED:
Four-hole roman tub filler rough-in model, TBMV2, sold separately.



TOTO®

These dimensions and specifications are subject to change without notice