



PERRIN & ROWE® GEORGIAN ERA™ 2-HANDLE BAR/FOOD PREP FAUCET

U.4711

FEATURES

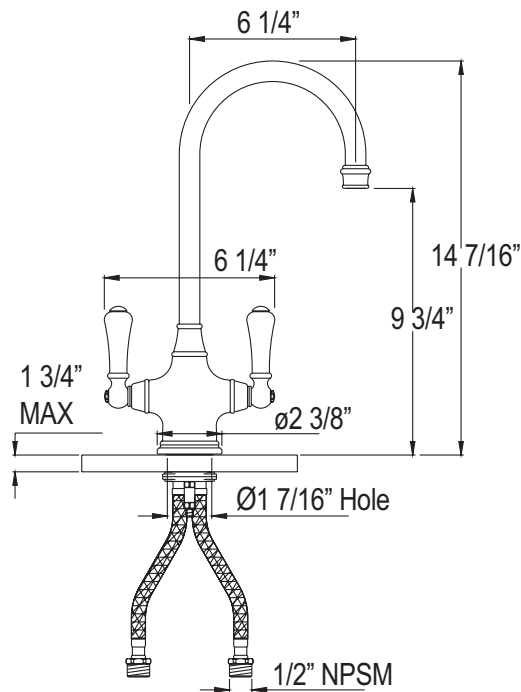
- Metal levers only
- Brass construction
- CNC machined
- Ceramic disc control cartridges
- 1 3/4" max. installation depth on deck
- 6 1/4" reach swivel C-spout
- Matching bar/food prep faucet for U.4710
- 1.8 GPM

COLORS/FINISHES

- Polished Chrome
- Polished Nickel
- Satin Nickel
- English Bronze
- English Gold*
- Satin English Gold*
- Unlacquered Brass**

WARRANTY

- Limited Lifetime Warranty
- * 5 Year Limited Warranty
- ** No Warranty



SPARE PARTS

