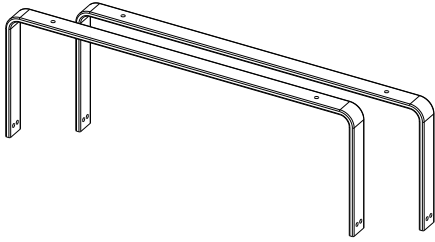
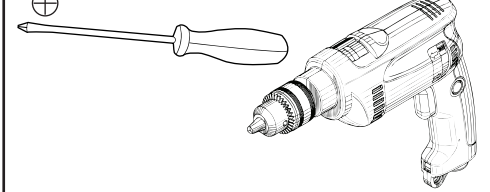


PARTS LIST:

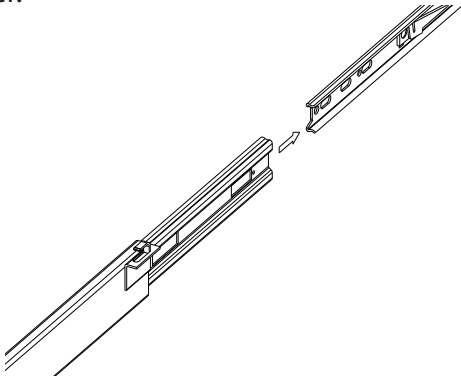


TOOLS REQUIRED:



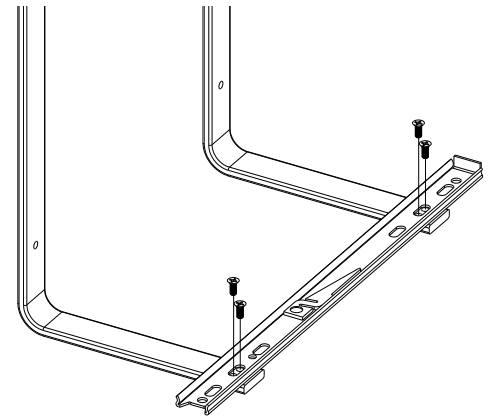
Note: This kit will only work with Rev-A-Shelf Closet baskets.

1) You will need to remove the inner slide piece from your Closet basket slide assembly by pressing the release trigger.

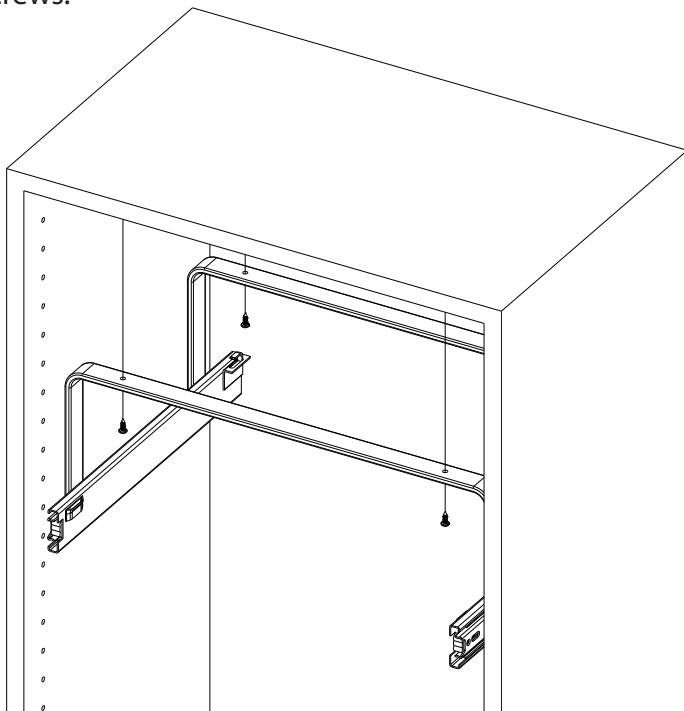


2) Lay both brackets on one side and attach the inner slide member to the brackets using the provided machine screws.

Depending on your depth of closet will determine where your slides are mounted.



3) Once both inner slides member are attached to both sides you are now ready to attach the brackets to a underside of your shelf using the provided (4) wood screws.



4) Once attached, you can very carefully reengage your slides and attach your closet basket

