

Congratulations!

You have purchased the finest carousel product available, the **Lazy Daisy® Susan**. For any questions or further information, please contact us at:



LAZY DAISY®
BY **REV·A·SHELF®**

12400 Earl Jones Way • Louisville, KY 40299 • 800-626-1126 • rev-a-shelf.com

System 9

Pie-cut

Doors revolving
90-degree corner

Installation instructions for:
Article # LD-60-9168-8 (white) / LD-60-9268-8 (almond)

Base Cabinet
28" x 28"
72 x 72 cm

Tray diameter: 24" (60 cm)

Mounting height: 27 1/4" - 29 1/4"
(69 - 74 cm)

Minimum cabinet dimensions:

USA: 28"

EURO : 72 cm

a = 28"

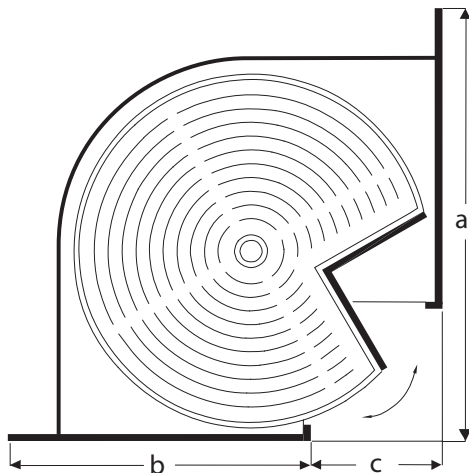
a = 72 cm

b = 18"

b = 47 cm

c = 10"

c = 25 cm

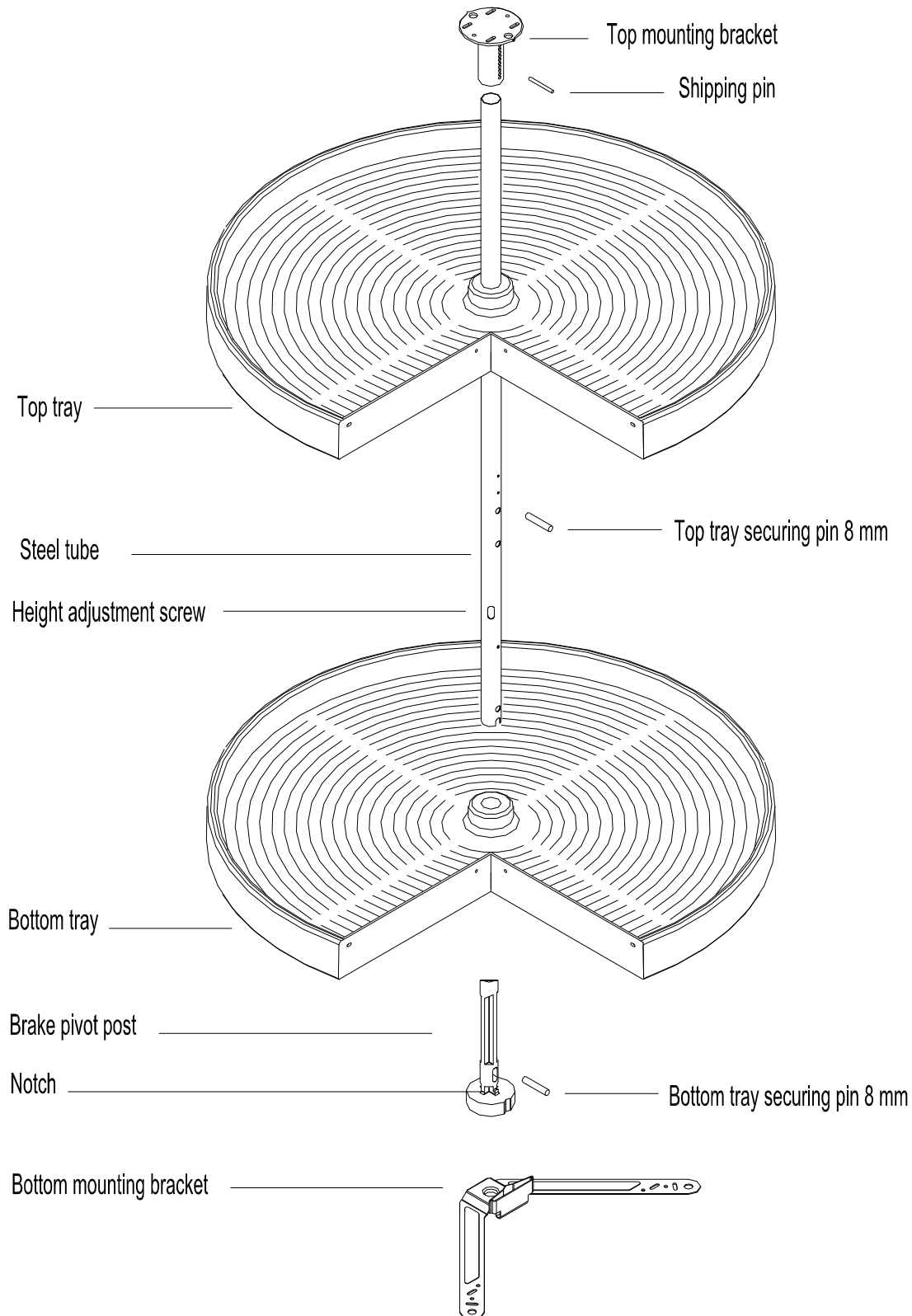


System 9

Pie-cut

Doors revolving
90 degree corner

Parts list (13 pcs.)



System 9

Pie-cut

Doors revolving
90-degree corner

Mounting Instructions

1. Mount **bottom mounting bracket** to base of cabinet using template provided.
2. Drill pilot holes for **top mounting bracket** using template provided.
3. Prepare **top and bottom trays** by inserting **tray cover caps**.
4. Insert **top and bottom tray positioning caps**. (Make sure that the slot in the bottom of the cap faces the 90-degree cutout of the tray).
5. Insert top of **tube** (end without hole) through bottom of one tray.
6. Insert bottom of **tube** through top of the other tray.
7. Insert **brake pivot post** into bottom of the tube. (Notch on post should fit into the half hole on the bottom of the tube.)
8. Insert **bottom tray securing pin** through tube and post assembly. Secure bottom tray onto pin. The 90-degree cutout of the tray should face the same way as the notch on the **brake pivot post** (see drawing).
9. Insert **top tray securing pin** through the tube, into desired hole location. Secure top tray onto pin.
10. Adjust **height adjustment screw** so that the tube assembly is raised approximately 3 mm off the **brake pivot post**. (This is to make sure that both downward [2-3 mm] and upward [7-8 mm] adjustments will be possible once the doors are attached).
11. Place **top mounting bracket** onto top of **tube**, and place entire susan into cabinet, with the **brake post** fitting into center hole of **bottom mounting bracket**. (Pressure must be applied to snap post completely onto bracket).
12. Secure **top mounting bracket** to top of cabinet using pilot holes drilled at Step 2.
13. Affix doors to trays by centering from top to bottom with cabinet opening.
14. After door height adjustment is complete, insert **shipping pin** through lowest open hole in **top mounting bracket**, just above top of the **tube**.
 - * This pin must be removed before attempting any further height adjustments.

System 9

Pie-cut

Doors revolving
90-degree corner

Door Adjustment

1. Door alignment

- Open doors so that one side of the bottom mounting bracket can be seen. With a pencil, mark the original position of the bottom mounting bracket. Insert a screw into the large hole on the end of the bracket (When inserting the screw, place it off-center in the direction of desired adjustment). Take out the original fixing screw. Repeat on the other side.
- Loosen the screws over the large holes and carefully rotate the bracket to the left or to the right, depending on which way the doors need to go.
- Tighten the screws and close doors to check alignment.
- Once door alignment is complete, re-insert fixing screws into one of the small holes.

2. Height adjustment

- *** Shipping pin must be removed** before attempting height adjustment.
- Rotate doors to the right, exposing the height adjustment screw on the tube between the top and bottom trays.
- Turn screw to the right to raise the doors, and to the left to lower the doors.
- **TRAYS DO NOT NEED TO BE UNLOADED TO ADJUST HEIGHT (UP TO 120 LBS.)**

* Tools required - Phillips screwdriver