

Assembly Instruction Sheet #IS-TF1433T For Style TF1433T

Quoizel, Inc.
 6 Corporate Parkway
 Goose Creek, SC
 29445

Customer Service
 Phone 631.273.2700
 Fax 631.231.7102
 www. quoizel. com

Please go to www. quoizel. com for product cleaning tips. Go to the **Care + Maintenance** selection.

Tools Required: None

Bulb Recommended: (2) Medium Base 75W Maximum, Alternate Bulbs (2) 19W CFL.

Estimated Assembly Time: 15-20 minutes

Preparation: Identify and inspect all parts before beginning installation. Check package content list and diagrams below to be sure all parts are present. If any parts are missing or damaged, do not attempt to assemble, install, or operate the fixture. Contact customer service for replacement parts.

Warnings and Cautions

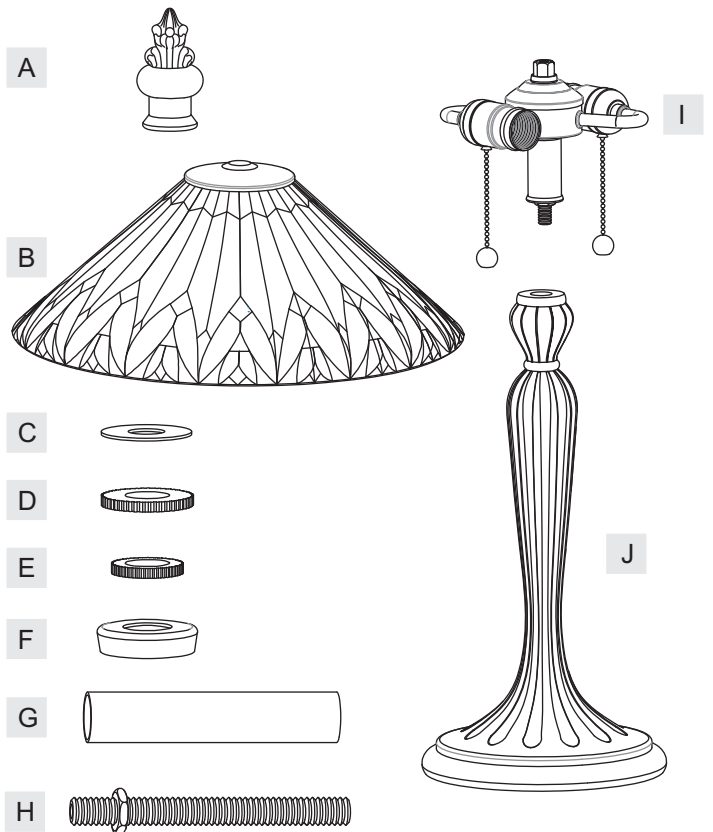
Turn off electricity at circuit breaker or main fuse box before installation. Consult a licensed electrician if in doubt.

These instructions are provided for your safety. It is very important you read them completely before installing the fixture. We strongly recommend that a licensed, professional electrician perform the installation.

Disconnect fixture from power source before replacing bulbs. Make sure bulbs are given sufficient time to cool before removal. Do not subject glass parts to any shock while in operation or shattering may result.

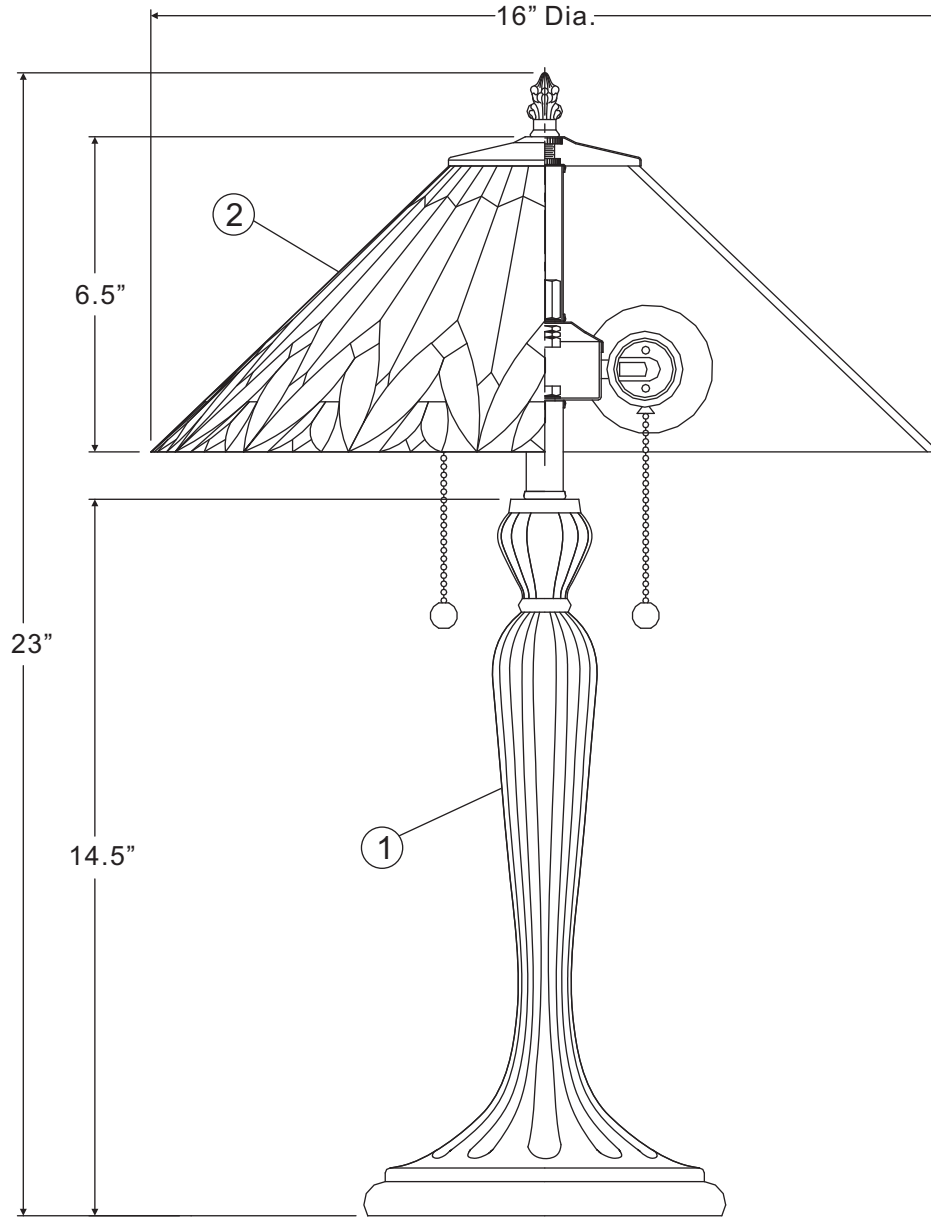
Package Contents

Part	Description	Quantity
A	Finial	1 pc.
B	Shade	1 pc.
C	Flat Washer	1 pc.
D	Big Knurled Nut	1 pc.
E	Small Knurled Nut	1 pc.
F	Check Ring	1 pc.
G	Tube	1 pc.
H	Nipple	1 pc.
I	Socket Assembly	1 pc.
J	Base	1 pc.



Thank you for purchasing a Quoizel product.

**Need assistance with parts or assembly? Call Quoizel customer service at 1-631-273-2700
 or visit us on-line at www. quoizel. com**



(2)75W Medium Base Bulbs (Not Supplied)

NOTE: ALL DIMENSIONS ARE ROUNDED UP TO THE NEAREST 1/2"

NO.	PART NUMBER	REPLACEMENT PART DESCRIPTION	REQ.
1	11433TTF	BASE TF1433T	1
2	G3430SH	GLASS SHADE TIFFANY 16"D X 6.50"H	1

STEP 1 – attach Socket Assembly to Base

- A. Thread Socket Assembly (I) to Base (J). Hand tighten until snug.

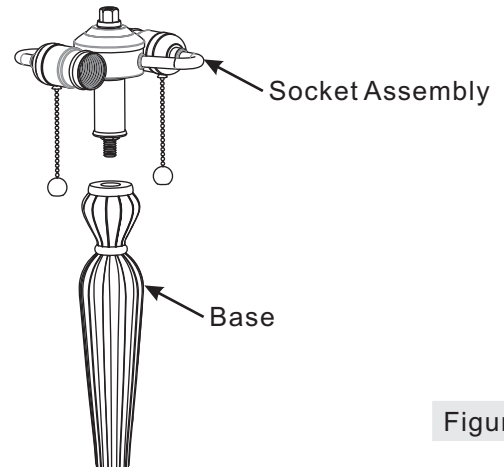


Figure 1

STEP 2 – Attach Nipple to Socket Assembly

- A. Thread one end of Nipple (H) into Hex Coupling on the top of Socket Assembly (I).
B. Please Tube (G) and Check Ring (F) over the Nipple (H). Secure by threading Small Knurled Nut (E) onto the Nipple (H). Hand tighten until snug.

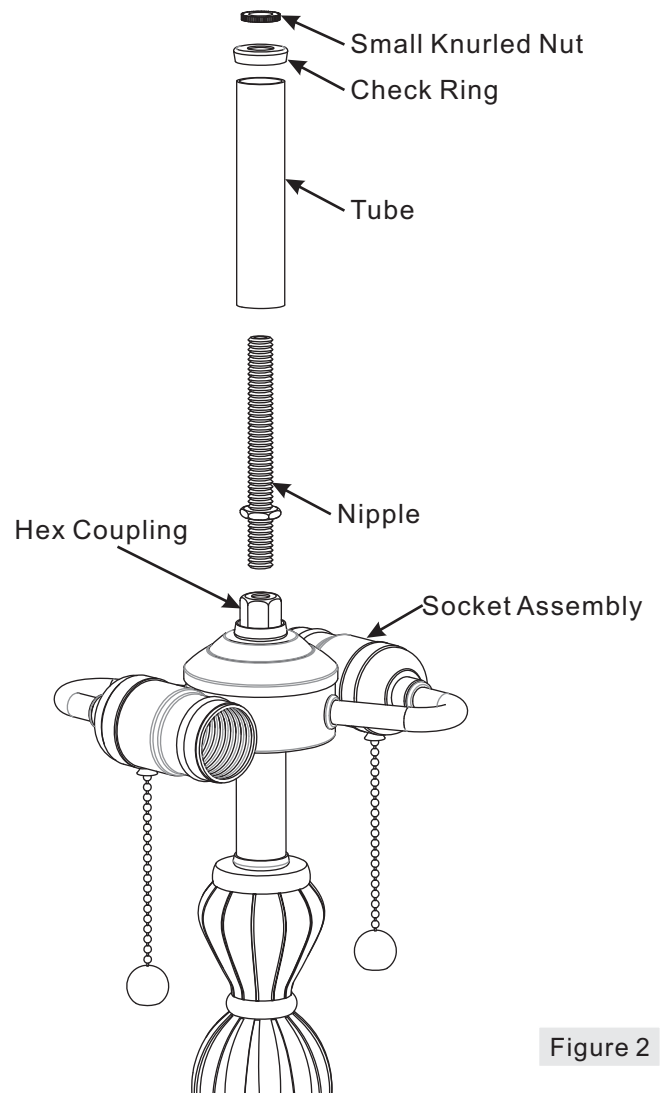


Figure 2

Thank you for purchasing a Quoizel product.
Need assistance with parts or assembly? Call Quoizel customer service at 1-631-273-2700
or visit us on-line at www. quozel. com

STEP 3 – Attach Shade

- A. Thread Big Knurled Nut (D) onto Nipple (H). Hand tighten until snug.
- B. Place the Flat Washer (C) and the Shade (B) over Nipple (H). Adjust the Big Knurled Nut (D) to proper location for the Shade (B) and Finial (A). secure by threading the Finial (A) onto the Nipple (H). Hand tighten until snug.

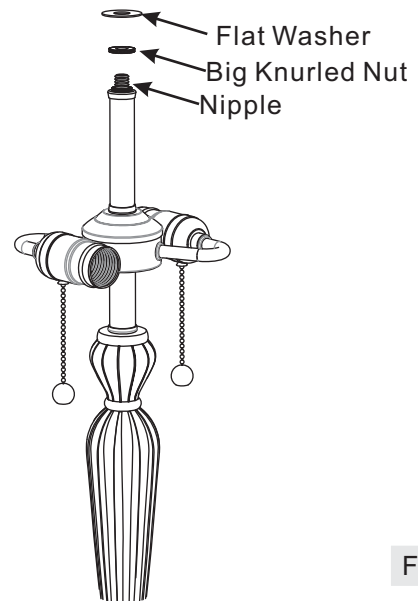
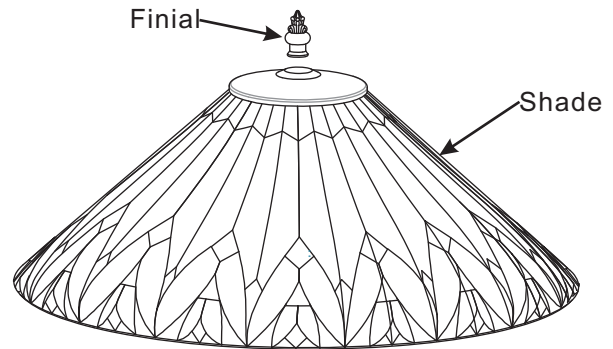


Figure 3

STEP 4 – Install Bulb

- A. This fixture uses standard bulb with standard screw base . Maximum 75 watts.
- B. Insert bulb and screw snugly into place.

Your lamp is now assembled and ready to use.
Enjoy!

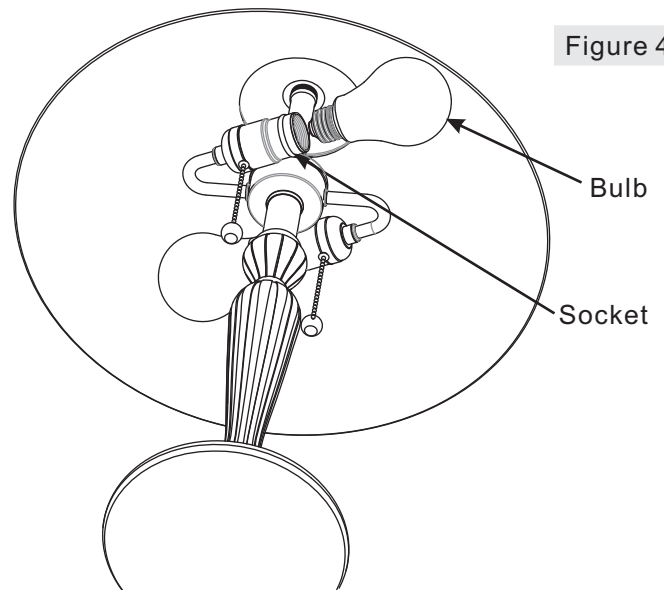


Figure 4

Thank you for purchasing a Quoizel product.

**Need assistance with parts or assembly? Call Quoizel customer service at 1-631-273-2700
or visit us on-line at www. quozel. com**