

Please go to www.quoise.com for product cleaning tips. Go to the **Care + Maintenance** selection.

Tools Required: Flathead screwdriver, Phillips screwdriver, pliers, wire cutters, wire strippers, electrical tape, safety glasses.

Light Source: (4) G9 Xenon Clear Bulbs (supplied), 40W Maximum

Estimated Assembly Time: 20-30 minutes

Preparation: Identify and inspect all parts before beginning installation. Check package content list and diagrams below to be sure all parts are present. If any parts are missing or damaged, do not attempt to assemble, install, or operate the fixture. Contact customer service for replacement parts.

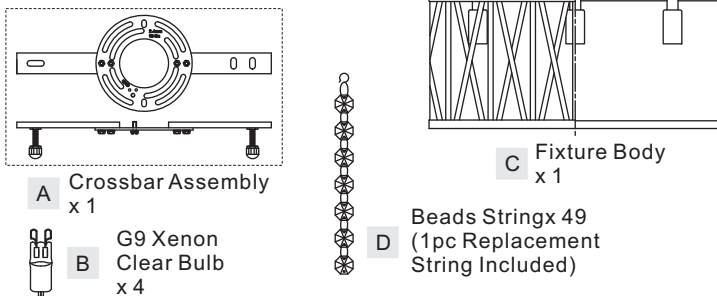
⚠ Warnings and Cautions

Turn off electricity at circuit breaker or main fuse box before installation. Consult a licensed electrician if in doubt.

These instructions are provided for your safety. It is very important you read them completely before installing the fixture. We strongly recommend that a licensed, professional electrician perform the installation.

Disconnect fixture from power source before replacing bulbs. Make sure bulbs are given sufficient time to cool before removal. Do not subject glass parts to any shock while in operation or shattering may result.

Package Contents

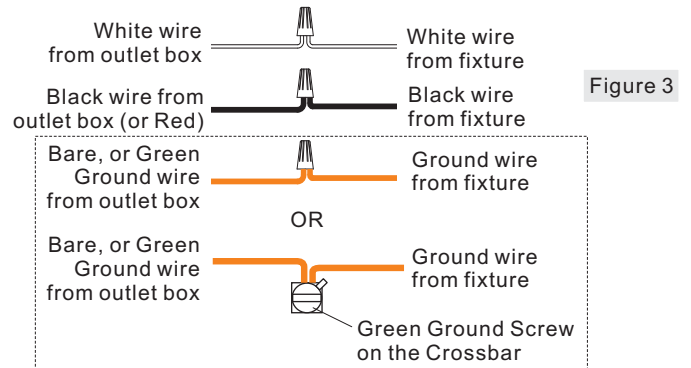


(Step 2 Continued)

Body (C) should be snug against the ceiling and the hex nuts. If not, adjust the length of mounting screws on the Crossbar Assembly (A) by unscrewing the preassembled hex nut and lock washer and then screwing the mounting screws in or out of the crossbar until the correct length is achieved. Once the ceiling canopy of Fixture Body (C) is secure, remove the hex nut and ceiling canopy of Fixture Body (C) and proceed to Step 3.

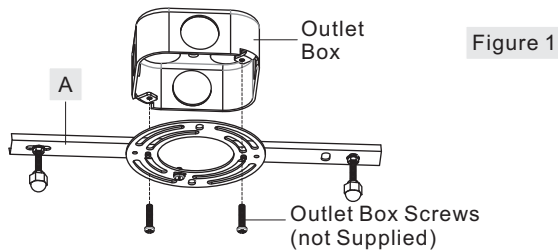
STEP 3 - Wire Connections

A. Use standard wire connectors (not included) to make all wire connections. Twist connectors until wires are tightly joined together. Wrap each connection with approved electrical tape and carefully stuff all the connected wires into the Outlet Box.



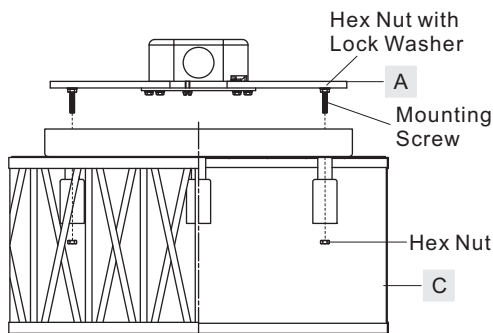
STEP 1 - Attach Crossbar Assembly to Outlet Box

A. Attach Crossbar Assembly (A) onto the Outlet Box and secure with outlet box screws (not supplied). Hand tighten until snug.



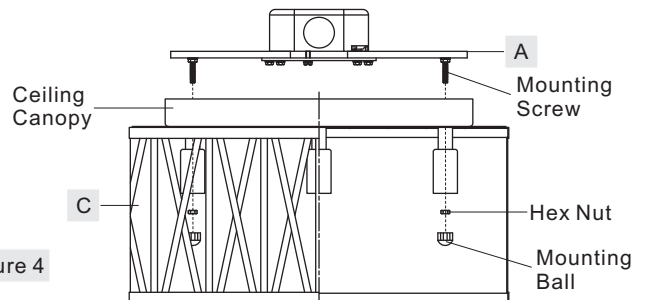
STEP 2 - Test Fitting Ceiling Canopy to Crossbar Assembly

A. Remove mounting balls and hex nuts from the Crossbar Assembly (A). Fit the ceiling canopy of Fixture Body (C) to Crossbar Assembly (A) and secure with hex nuts. Note: The ceiling canopy of Fixture



STEP 4 - Install Fixture Body

A. Carefully tuck all wires into the outlet box and position the ceiling canopy of Fixture Body (C) over the outlet box. Align the holes in the ceiling canopy with mounting screws, then attach the ceiling canopy



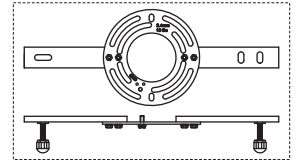
Thank you for purchasing a Quoizel product.
Need assistance with parts or assembly? Call Quoizel customer service at 1-800-645-3184
or visit us on-line at www.quoise.com

(Step 4 Continued)

of Fixture Body (C) using the previously removed hex nuts. Hand tighten until snug.
B. Thread mounting balls previously removed back onto mounting screws and hand tighten until snug.

PCCC1614C

FINISH: POLISHED CHROME



STEP 5 - Attach Bead Strings and Bulbs

A. Place Bead Strings (D) inside of Fixture Body (C). Attach Bead Strings (D) to hangers on the bottom of the ceiling canopy.
B. This fixture uses G9 Xenon Clear Bulbs (B). Maximum 40 watts. Insert bulb and seat properly into place.

IMPORTANT: Do not touch the bulb with bare hands use a cloth or glove.

Your fixture is now assembled and ready to use. Enjoy!

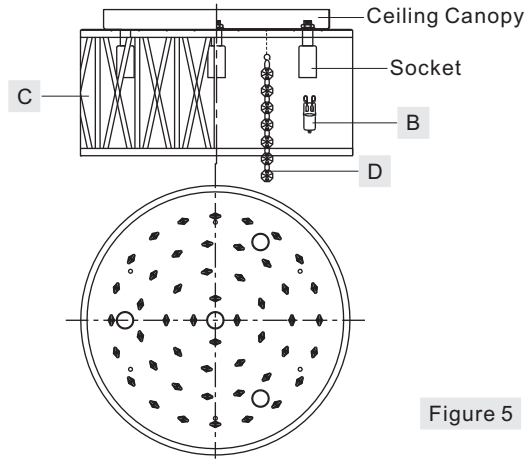
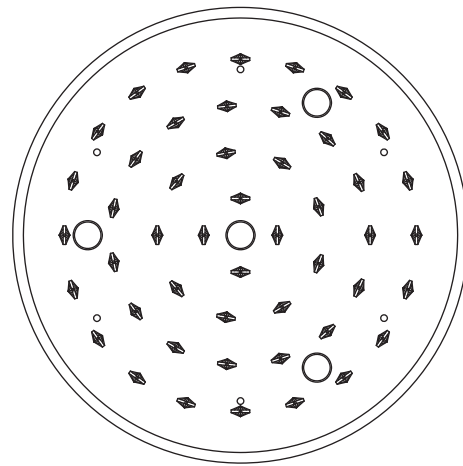
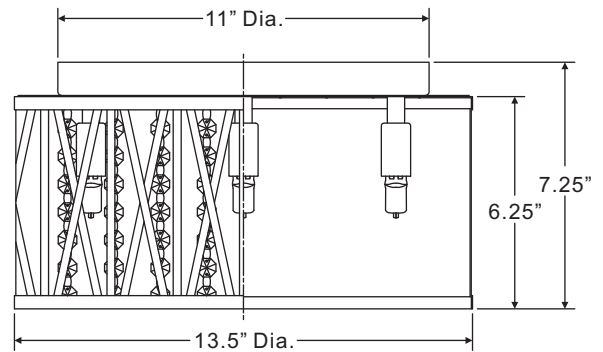


Figure 5



NOTE: ALL DIMENSIONS ARE ROUNDED UP TO THE NEAREST 1/4"

CAUTION FOR BULB REPLACING

- A. When replace bulb, turn off power and allow lamp to cool. For safety purpose, wear gloves and eye protection.
- B. If bulb is scratched or cracked, DO NOT use the lamp to avoid breakage during use or installation.
- C. Use only in fixtures rated for lamps wattage and voltage.
- D. Lamp operate under high pressure generating intense heat. Prevent contact with liquid and combustible materials.

Thank you for purchasing a Quoizel product.
Need assistance with parts or assembly? Call Quoizel customer service at 1-800-645-3184
or visit us on-line at www.quoizel.com