

SAFETY INFORMATION

Please read and understand this entire manual before attempting to assemble, install or operate the product.

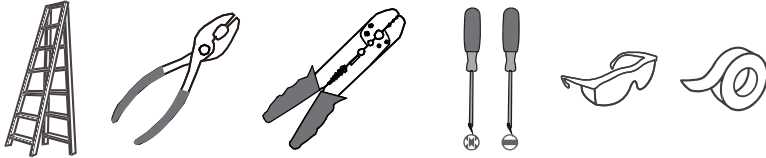
WARNING

- RISK OF ELECTRIC SHOCK - Before beginning installation, turn off electricity at the circuit breaker box or the main fuse box.

CAUTION

- For your safety, read instructions completely before beginning installation.
- If in doubt about electrical installation, consult a licensed electrician.

TOOLS REQUIRED



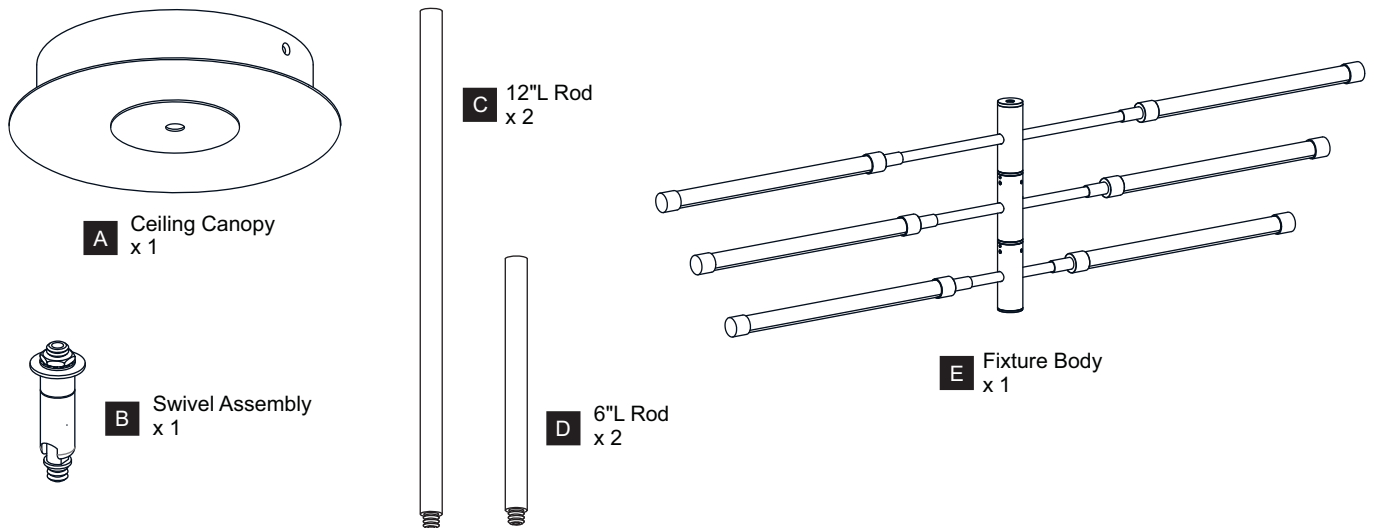
Ratings	120Vac, 60Hz	
	Model No.	Wattage
	PCAZA340MBK	28W

CARE AND MAINTENANCE

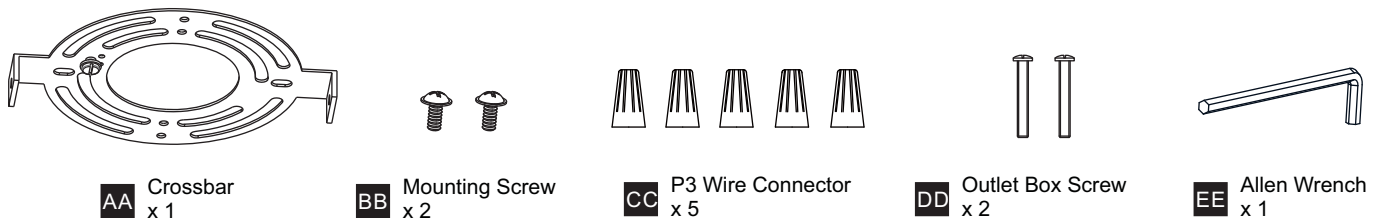
- Wipe clean using soft, dry cloth or static duster. Always avoid using harsh chemicals and abrasives to clean fixture as they may damage the finish.

If you need further assistance call Quozel Customer Care at 1-800-645-3184 (9:00am - 5:00pm EST), or visit us on-line at www.quezel.com.

PACKAGE CONTENTS



MOUNTING HARDWARE



INSTALLATION

1 Install Rods

Optional Rods:
 8 Feet Ceiling:
 (2) 12"L Rods.
 9 Feet Ceiling:
 (2) 6"L Rods + (2) 12"L Rods.

2 Install Swivel to Ceiling

3 Install Ceiling Canopy Assembly to Upper Rod

4 Connect Fixture Wires to Driver

Red wire from driver identified with the label "LED +"

Red wire from fixture identified with the label "LED +"

Black wire from driver identified with the label "LED -"

Black wire from fixture identified with the label "LED -"

5 Install Crossbar

Outlet Box

6 Wiring

White wire from supply

White wire from driver

Black (or red) wire from supply

Black wire from driver

Ground wire from supply

Ground wire from fixture

Green ground screw

7 Install Ceiling Canopy to Crossbar

Swivel

90Degree

For angled ceilings, Swivel opening towards wall.

8 Adjust Arms

* If necessary, tighten or loosen set screws slightly with Allen wrench (included).

Your installation is now complete! Restore electricity and save this sheet for future reference.