

Please go to [www. quozel. com](http://www. quozel. com) for product cleaning tips. Go to the **Care + Maintenance** selection.

**Tools Required:** Flathead screwdriver, Phillips screwdriver, pliers, wire cutters, wire strippers, electrical tape, safety glasses.

**Light Source:** LED 30W

**Compatible Dimmer Switches:** Lutron DVELV-300P or Lutron SELV-300P.

**Estimated Assembly Time:** 20-30 minutes

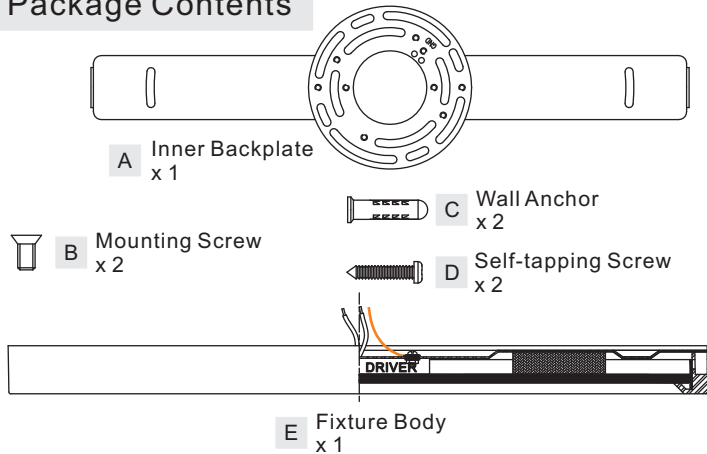
**Preparation:** Identify and inspect all parts before beginning installation. Check package content list and diagrams below to be sure all parts are present. If any parts are missing or damaged, do not attempt to assemble, install, or operate the fixture. Contact customer service for replacement parts.

## ⚠ Warnings and Cautions

Turn off electricity at circuit breaker or main fuse box before installation. Consult a licensed electrician if in doubt.

These instructions are provided for your safety. It is very important you read them completely before installing the fixture. We strongly recommend that a licensed, professional electrician perform the installation.

### Package Contents



### STEP 2 - Wire Connections

- Wrap bare or green ground wire around green ground screw on the crossbar, no less than 2 inches from the end of the wire. Tighten the green ground screw.
- Use standard wire connectors (not included) to make all wire connections. Twist connectors until wires are tightly joined together. Wrap each connection with approved electrical tape and carefully stuff all the connected wires into the Outlet Box.

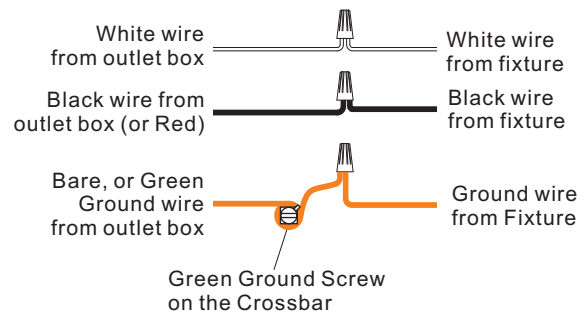


Figure 2

### STEP 1 - Attach Inner Backplate to Outlet Box

- Attach the Inner Backplate (A) onto the outlet box. Align one set of holes on the Inner Backplate (A) to mounting holes on the outlet box and make two marks on the ceiling from slots on the flat strap of the Inner Backplate (A).
- Remove the Inner Backplate (A) and drill proper holes on the ceiling from marks. Insert Wall Anchors (C) into the holes properly.
- Attach the Inner Backplate (A) to outlet box. Secure by threading outlet box screws (not supplied) into mounting holes on the outlet box and threading Self-tapping Screws (D) into Wall Anchors (C). Hand tighten until snug.

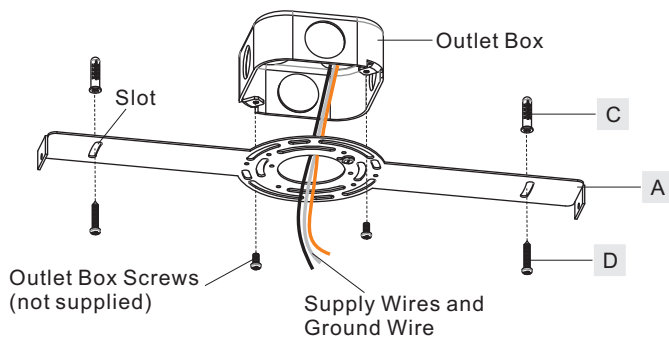


Figure 1

### STEP 3 - Install Fixture Body

- Fit the slots on the back of the Fixture Body (E) to the Inner Backplate (A) and secure with Mounting Screws (B). Hand tighten until snug.

Your fixture is now assembled and ready to use. Enjoy!

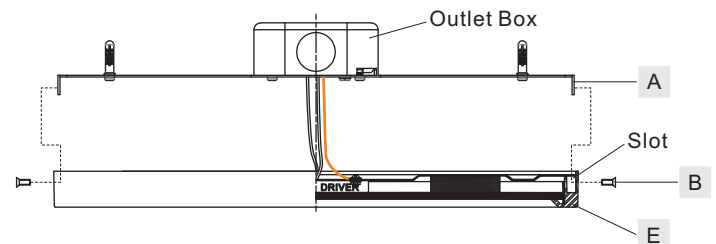
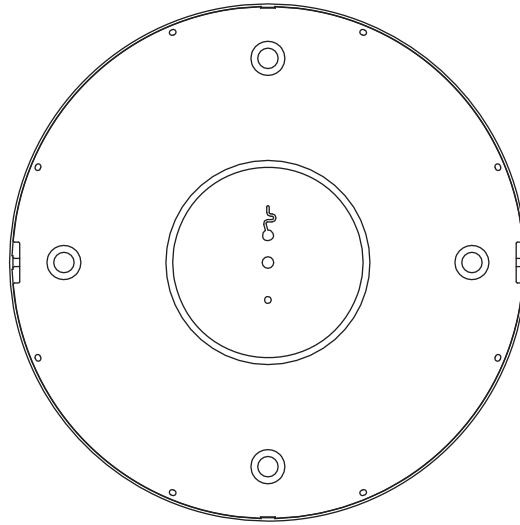
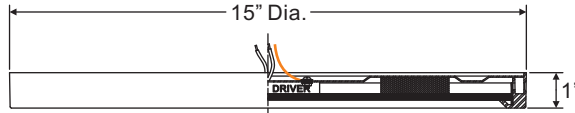
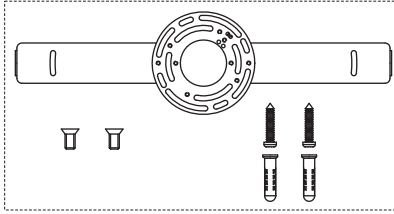


Figure 3

**Thank you for purchasing a Quoizel product.**  
Need assistance with parts or assembly? Call Quoizel customer service at 1-800-645-3184  
or visit us on-line at [www. quozel. com](http://www. quozel. com)

OST17150I

FINISH: OIL RUBBED BRONZE



NOTE: ALL DIMENSIONS ARE ROUNDED UP TO THE NEAREST 1/4"

Thank you for purchasing a Quozel product.  
Need assistance with parts or assembly? Call Quozel customer service at 1-800-645-3184  
or visit us on-line at [www.quozel.com](http://www.quozel.com)