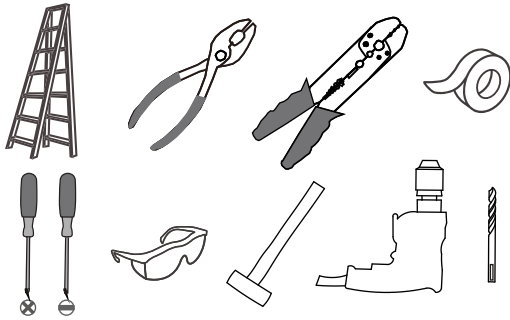


Tools Required



Light Source

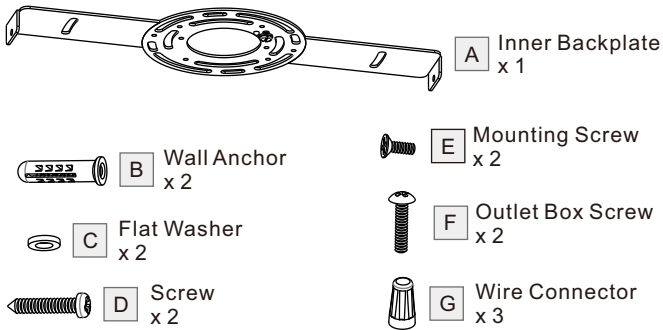
**28W
LED**

⚠ Warnings and Cautions

Turn off the electricity at the circuit breaker before installation. Consult a licensed electrician if in doubt about installation.

Package Contents

PARTS BAG



Preparation: Identify and inspect all parts before beginning the installation.

Missing or damaged parts? Contact your original place of purchase.

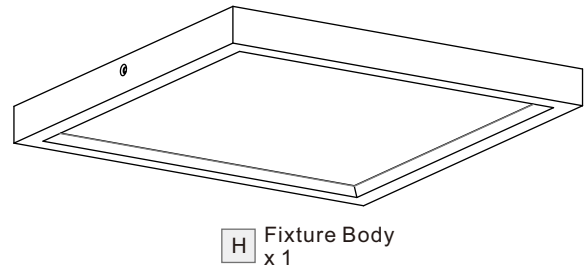


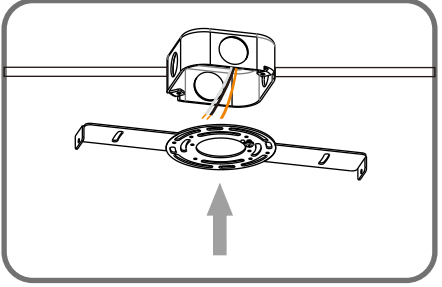
Table of Contents

Inner Backplate	Wiring	Fixture Body
STEP 1	STEP 2	STEP 3

STEP 1

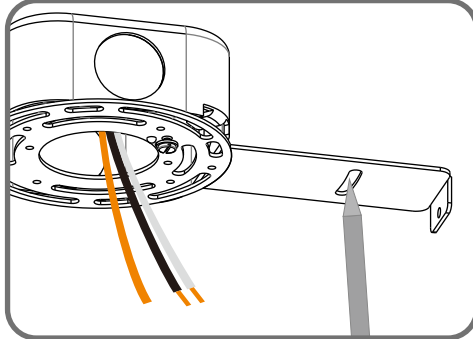
1

Fit inner backplate to outlet box



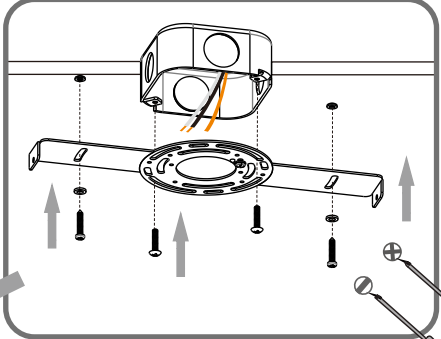
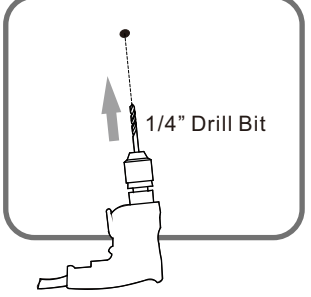
2

Mark anchor holes location on the ceiling



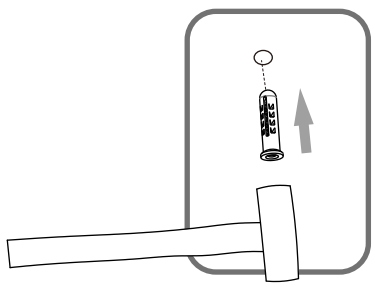
3

Drill holes for anchors from marks



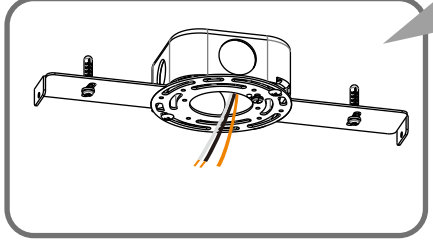
Install inner backplate

5

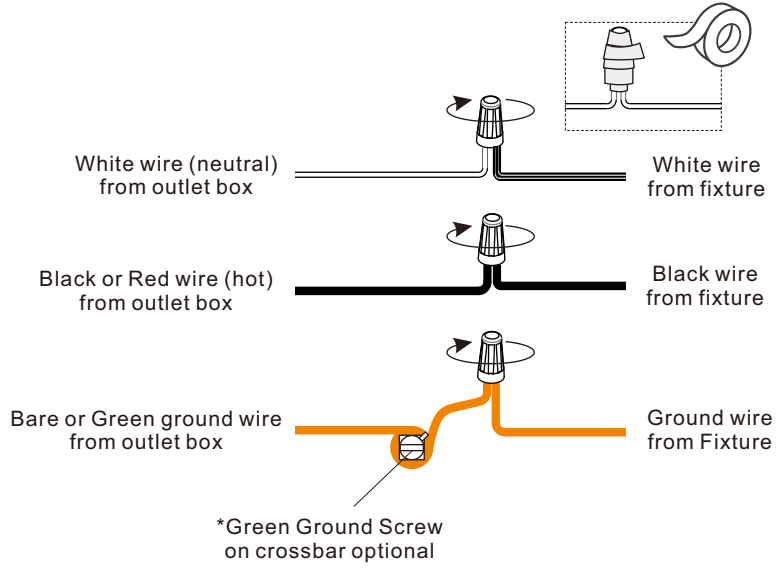


Install wall anchors

4



STEP 2



STEP 3

