

Please go to [www. quoizel. com](http://www. quoizel. com) for product cleaning tips. Go to the **Care + Maintenance** selection.

**Tools Required:** Flathead screwdriver, Phillips screwdriver, pliers, wire cutters, wire strippers, electrical tape, safety glasses, marking pen, 1/16" drill bit, center punch, hammer, drill and wrench.

**Light Source:** (3) B10 Candelabra Base bulbs 60W Maximum.

**Estimated Assembly Time:** 20-30 minutes

**Preparation:** Identify and inspect all parts before beginning installation. Check package content list and diagrams below to be sure all parts are present. If any parts are missing or damaged, do not attempt to assemble, install, or operate the fixture. Contact customer service for replacement parts.

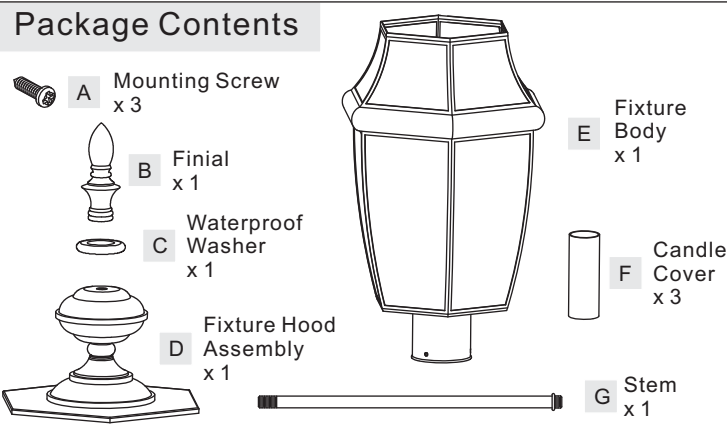
**⚠ Warnings and Cautions**

Turn off electricity at circuit breaker or main fuse box before installation. Consult a licensed electrician if in doubt.

These instructions are provided for your safety. It is very important you read them completely before installing the fixture. We strongly recommend that a licensed, professional electrician perform the installation.

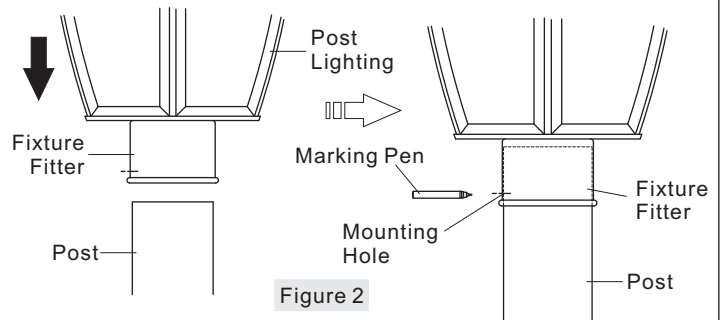
Disconnect fixture from power source before replacing bulbs. Make sure bulbs are given sufficient time to cool before removal.

**Package Contents**



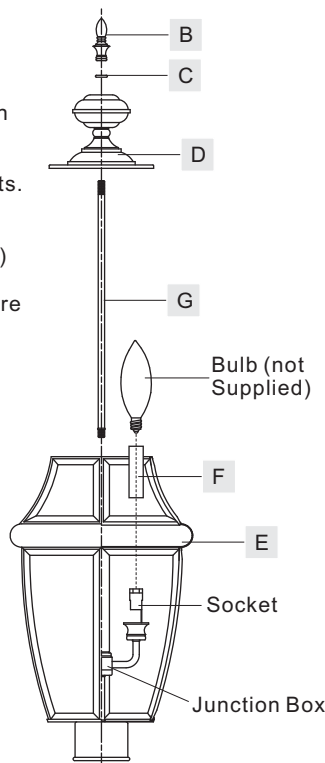
**STEP 2 – Mark the Location for the 3 Mounting Holes**

A. Place the light fixture onto the post and mark the location of the 3 mounting holes on the fixture fitter onto the post with the marking pen.



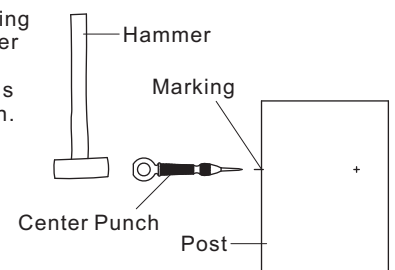
**STEP 1 – Install Fixture Hood Assembly and Finial**

- A. Thread the beaded end of the Stem (G) onto the top center of the junction box in the Fixture Body (E) and hand tighten until snug.
- B. Place Candle Covers (F) over sockets.
- C. Insert bulbs onto sockets and screw snugly into place.
- D. Place the Fixture Hood Assembly (D) and the Waterproof Washer (C) over the top end of the Stem (G) and secure with the Finial (B). Hand tighten until snug.



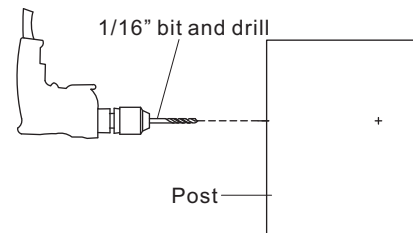
**STEP 3 – Marking the Center of Each Mounting Hole**

A. Remove the light fixture. Using the center punch and hammer marking the center of each mounting hole location that is marked with the marking pen.



**STEP 4 – Drill Holes**

A. Using the 1/16" bit and drill, drill a pilot hole completely through the post at each (3) locations marked in step 3 above.



**Thank you for purchasing a Quoizel product.**  
Need assistance with parts or assembly? Call Quoizel customer service at 1-800-645-3184 or visit us on-line at [www. quoizel. com](http://www. quoizel. com)

### STEP 5 - Wire Connections

A. Use standard wire connectors (not included) to make all wire connections. Twist connectors until wires are tightly joined together. Wrap each connection with approved electrical tape and carefully stuff all the connected wires into the Outlet Box.

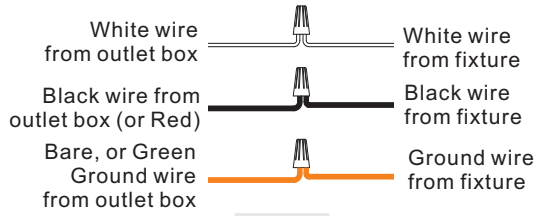


Figure 5

### STEP 6 - Attach the fixture to the Post Mount

A. Place the fixture on the post lining up the mounting holes on the fixture fitter with the holes on the post. Use the Mounting Screws (A) to attach the fixture to the post.

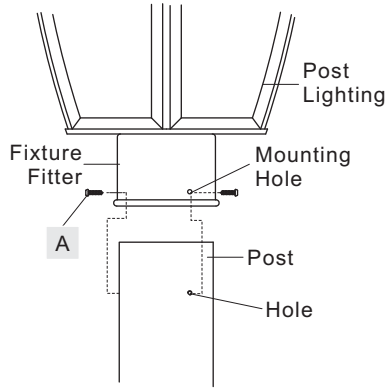
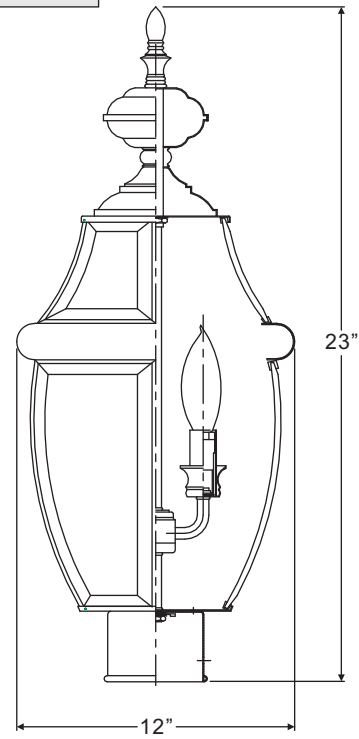


Figure 6

NY9043AC

FINISH: AGED COPPER



NOTE: ALL DIMENSIONS ARE ROUNDED UP TO THE NEAREST 1/4"

Thank you for purchasing a Quoizel product.  
Need assistance with parts or assembly? Call Quoizel customer service at 1-800-645-3184  
or visit us on-line at [www.quoise.com](http://www.quoise.com)