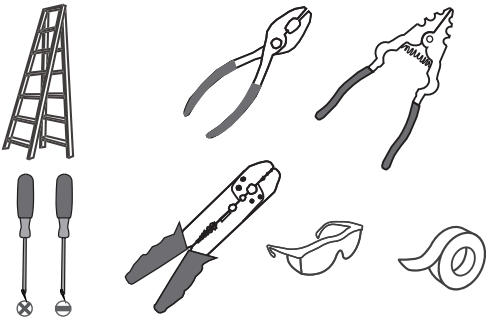
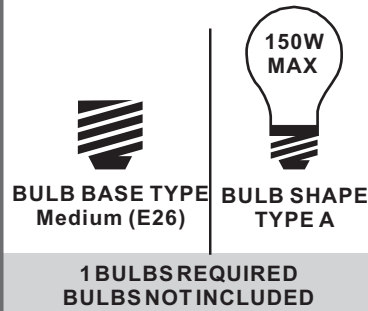


**Tools Required**



**Light Source**



**Fixture Height Adjustable 21.5" to 117.5"**

**Warnings and Cautions**

Turn off the electricity at the circuit breaker before installation. Consult a licensed electrician if in doubt about installation.

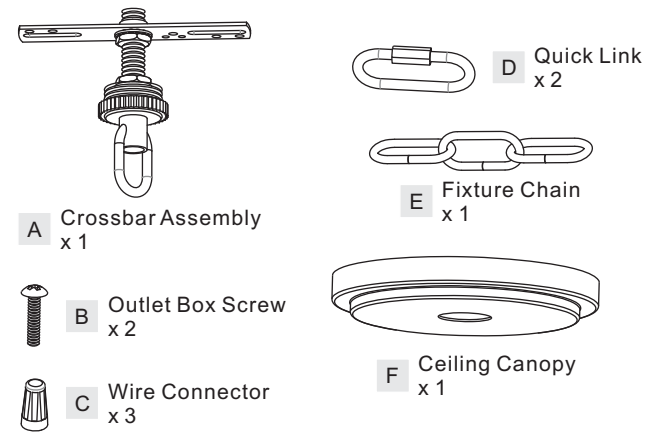
Turn off power to the fixture and allow the bulbs to cool before replacing.

**Package Contents**

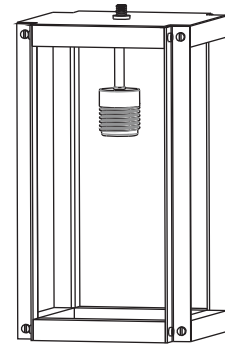
**Preparation:** Identify and inspect all parts before beginning the installation.

Missing or damaged parts? Contact your original place of purchase.

**PARTS BAG**



G Fixture Loop x 1



H Fixture Body x 1



I Socket Collar x 1

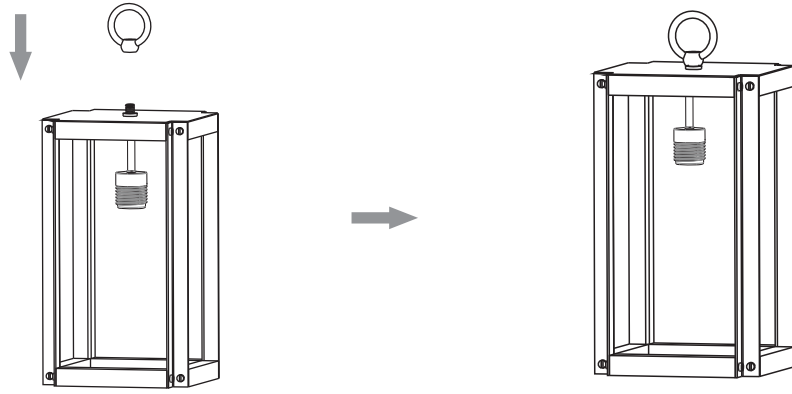


J Shade x 1

**Table of Contents**

Fixture Loop	Crossbar Assembly	Fixture Chain	Wiring	Ceiling Canopy	Bulb
STEP 1	STEP 2	STEP 3	STEP 4	STEP 5	STEP 6

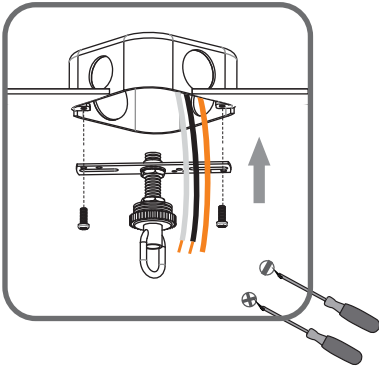
## STEP 1



## STEP 2

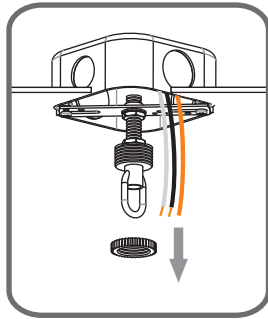
1

Step 1  
Install crossbar assembly

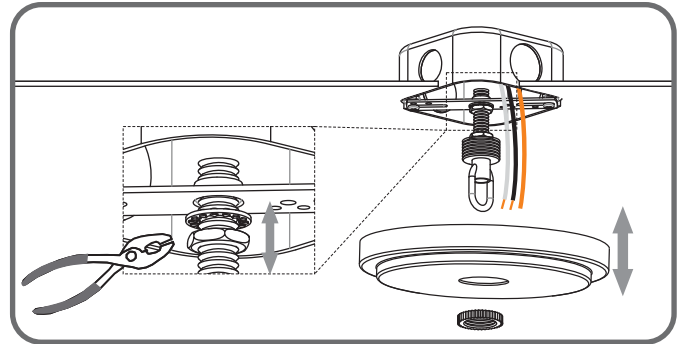


2

Step 2 - 3  
Test fitting ceiling canopy to nipple



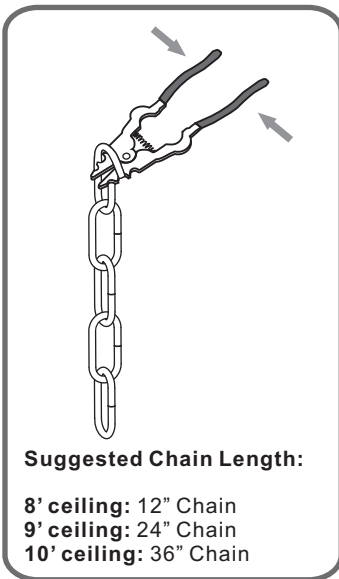
3



## STEP 3

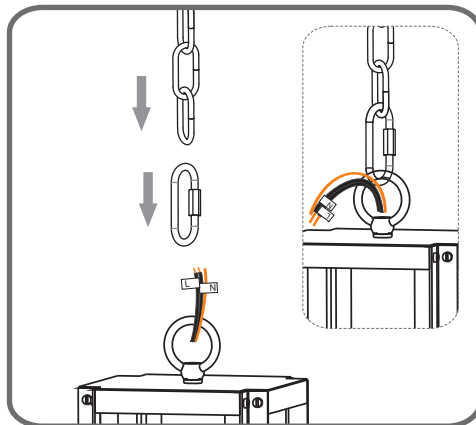
1

Step 1  
Adjust fixture chain length

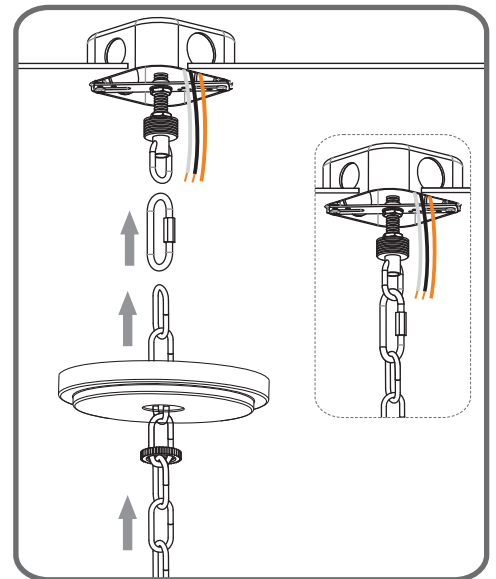


2

Step 2 - 3  
Install Fixture Chain



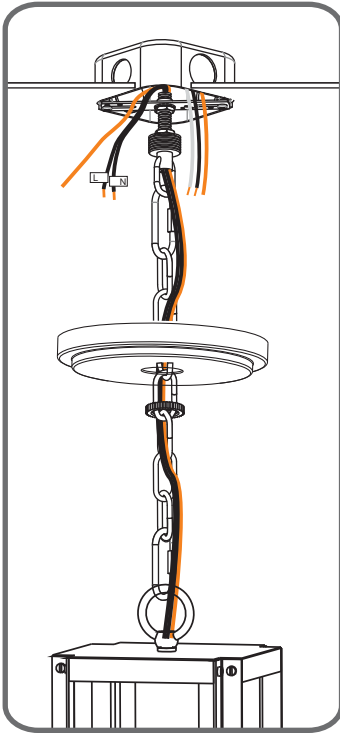
3



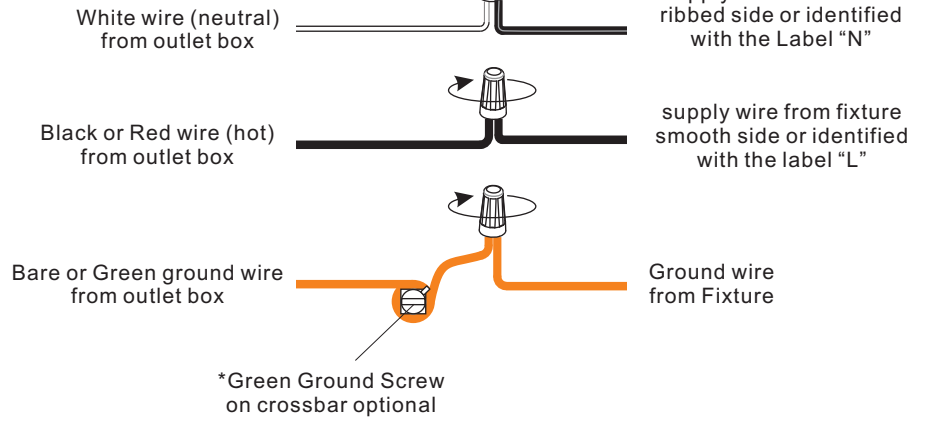
## STEP 4

1

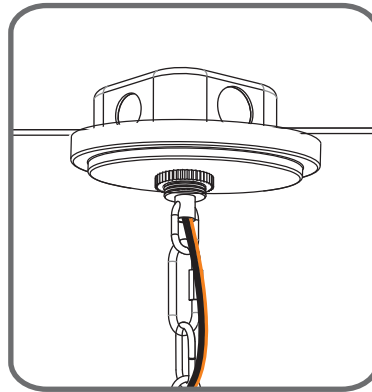
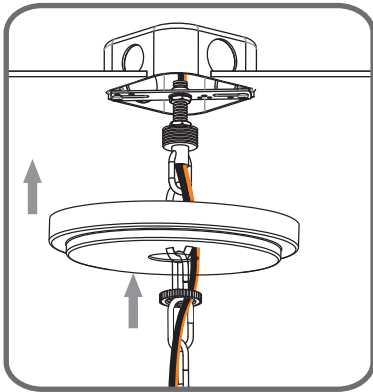
Step 1  
Feed the fixture wires  
through the loop



2



## STEP 5



## STEP 6

