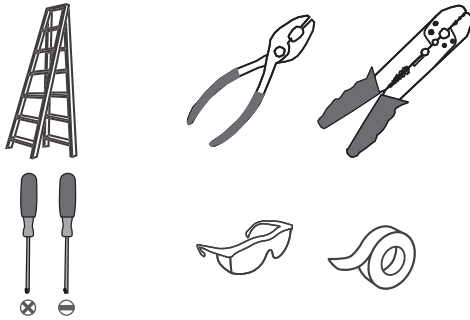
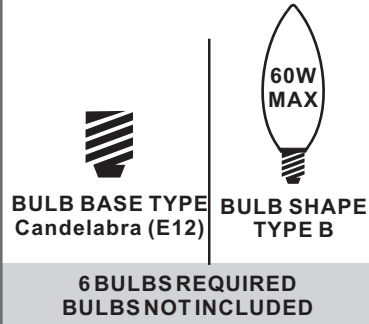


Tools Required



Light Source



**Fixture Height Adjustable
20.25" to 68.25"**

Warnings and Cautions

Turn off the electricity at the circuit breaker before installation. Consult a licensed electrician if in doubt about installation.

Turn off power to the fixture and allow the bulbs to cool before replacing.

Package Contents

Preparation: Identify and inspect all parts before beginning the installation.

Missing or damaged parts? Contact your original place of purchase.

PARTS BAG

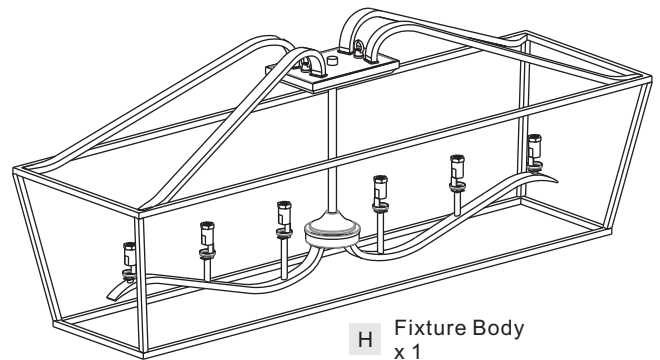
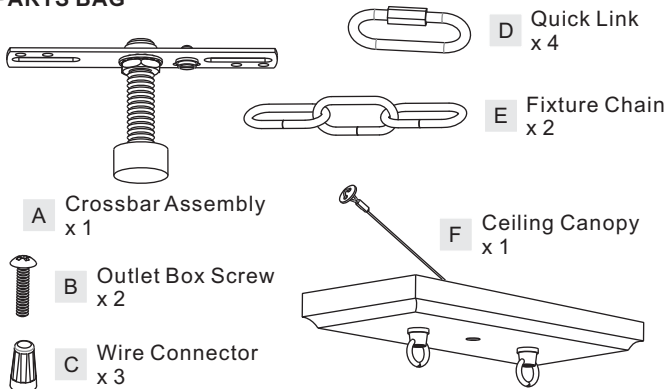


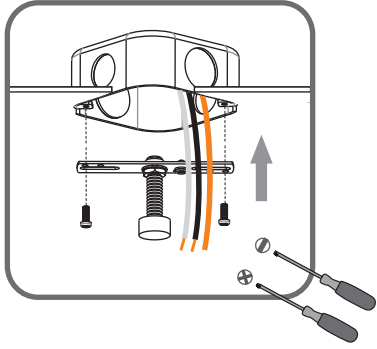
Table of Contents

Crossbar Assembly	Fixture Chain	Lanyard	Wiring	Ceiling Canopy	Candle Cover & Bulb
STEP 1	STEP 2	STEP 3	STEP 4	STEP 5	STEP 6

STEP 1

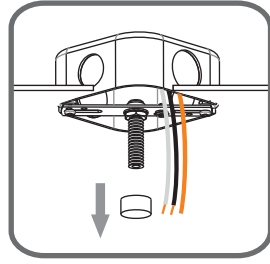
1

Step 1
Install crossbar assembly

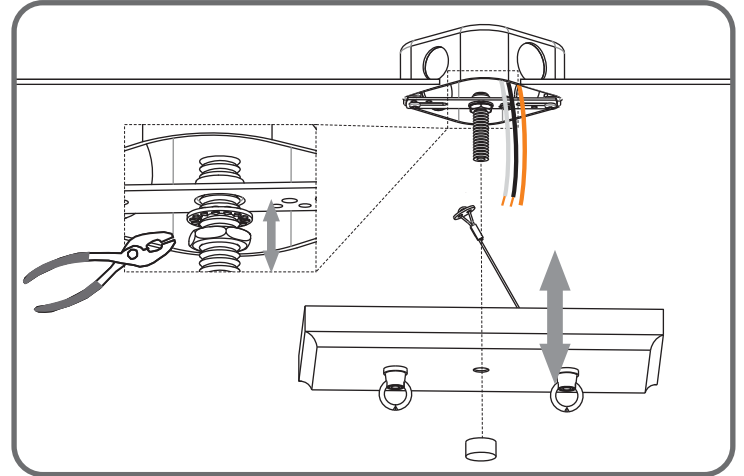


2

Step 2 - 3
Test fitting ceiling canopy to nipple



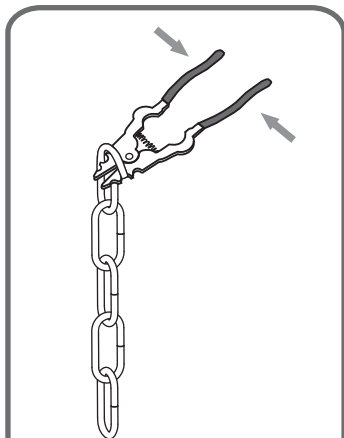
3



STEP 2

1

Adjust fixture chain length



Suggested Chain Length:

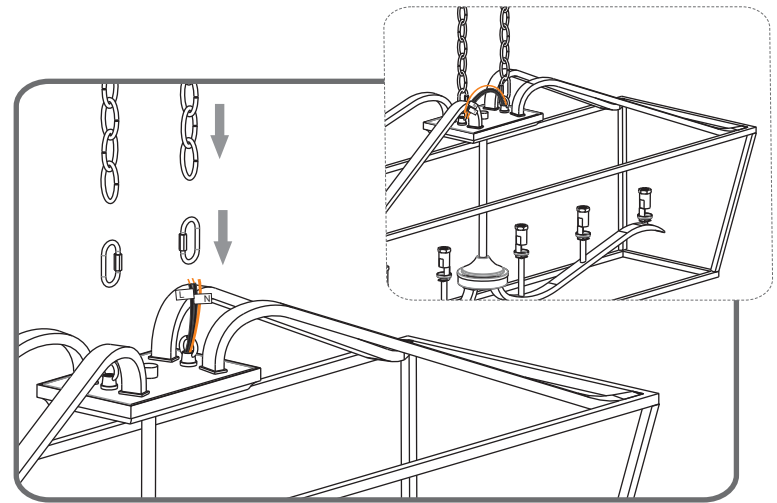
8' ceiling: 15.75" Chain

9' ceiling: 26.75" Chain

10' ceiling: 37.75" Chain

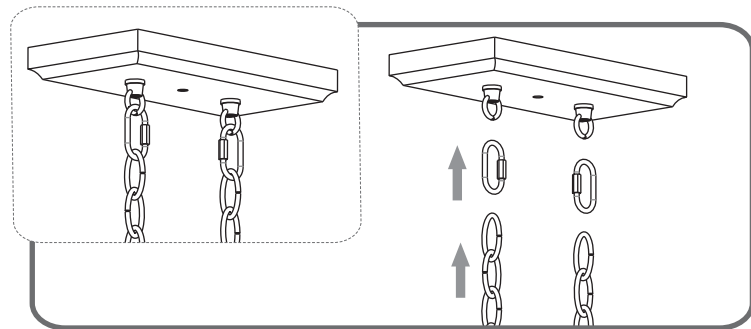
2

Install Fixture Chain to Fixture Body



3

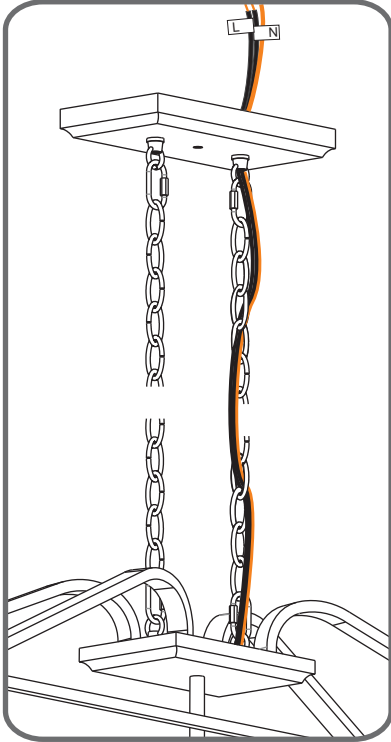
Install Fixture Chain to Ceiling Canopy



STEP 3

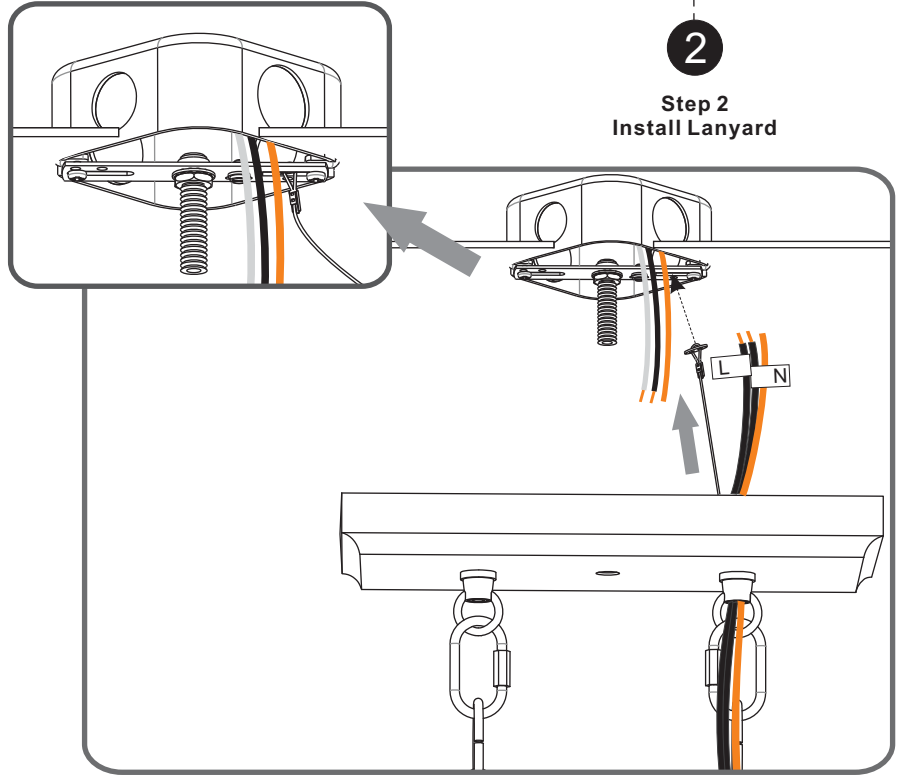
1

Step 1
Feed the fixture wires through chains and the ceiling canopy

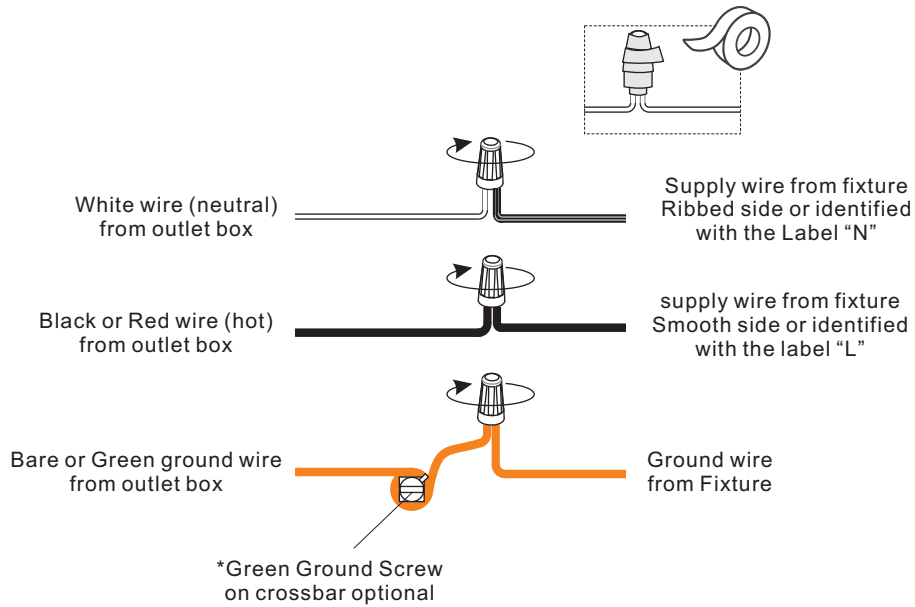


2

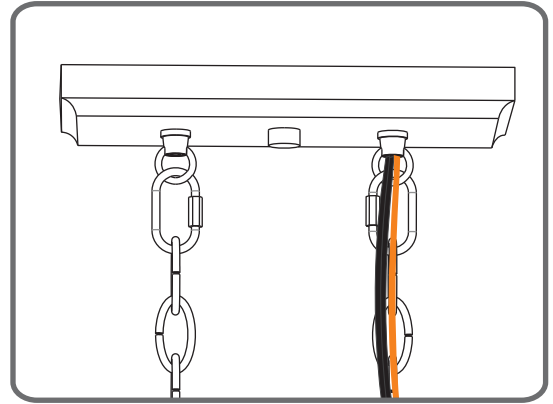
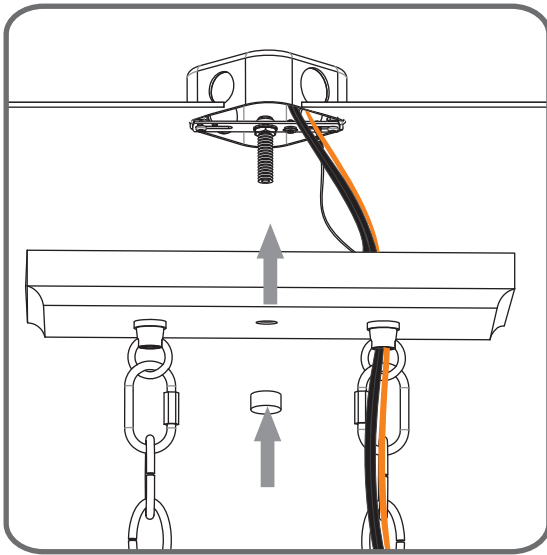
Step 2
Install Lanyard



STEP 4



STEP 5



STEP 6

