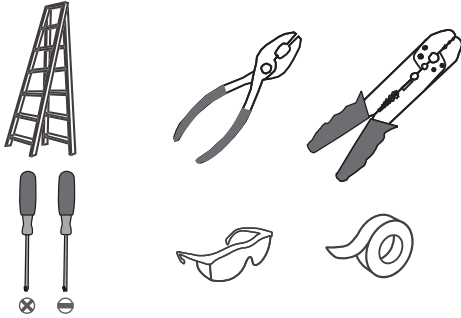
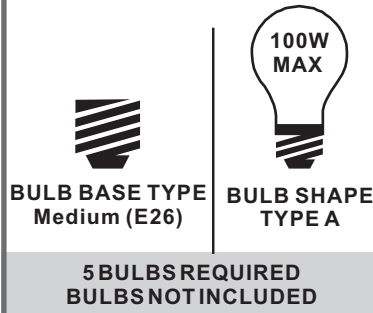


Tools Required



Light Source



**Fixture Height Adjustable
17" to 109"**

⚠ Warnings and Cautions

Turn off the electricity at the circuit breaker before installation. Consult a licensed electrician if in doubt about installation.

Turn off power to the fixture and allow the bulbs to cool before replacing.

Package Contents

Preparation: Identify and inspect all parts before beginning the installation.

Missing or damaged parts? Contact your original place of purchase.

PARTS BAG

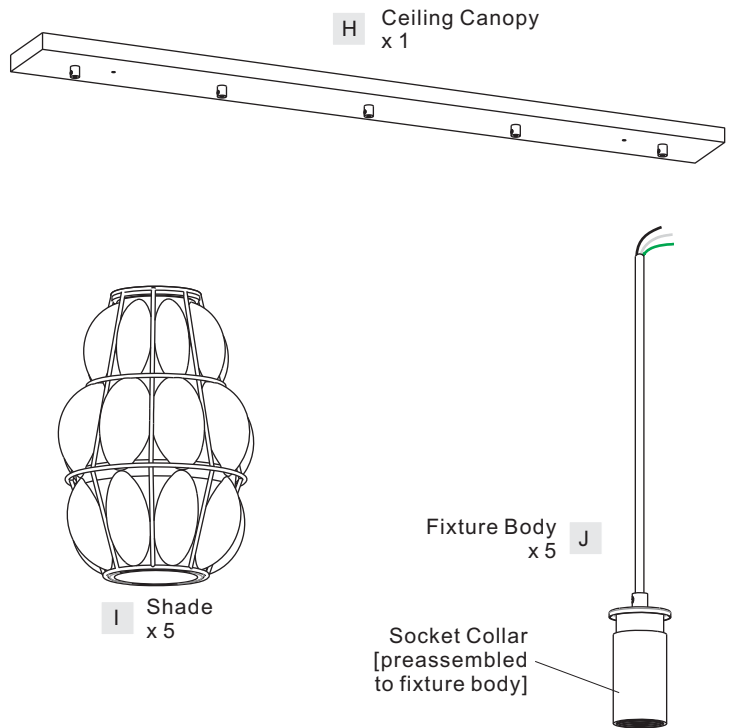
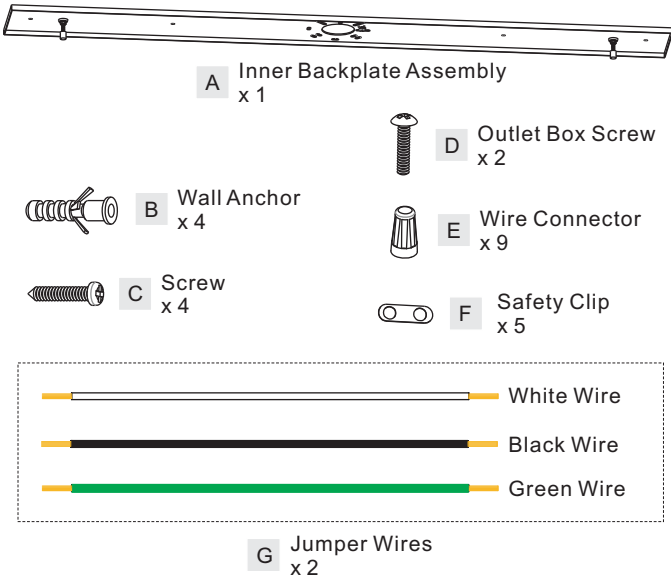


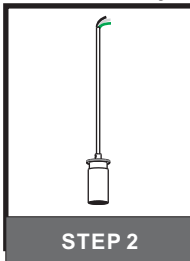
Table of Contents

Inner Backplate Assembly



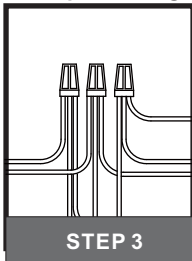
STEP 1

Fixture Body



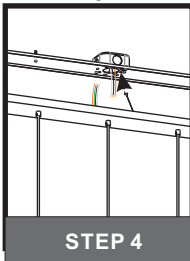
STEP 2

Jumper Wiring



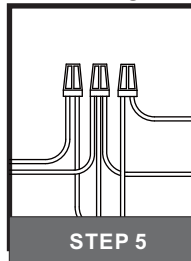
STEP 3

Lanyard



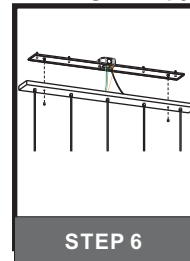
STEP 4

Wiring



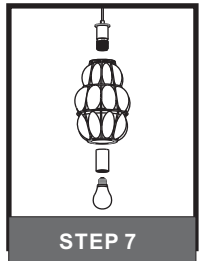
STEP 5

Ceiling Canopy



STEP 6

Shade & Bulb

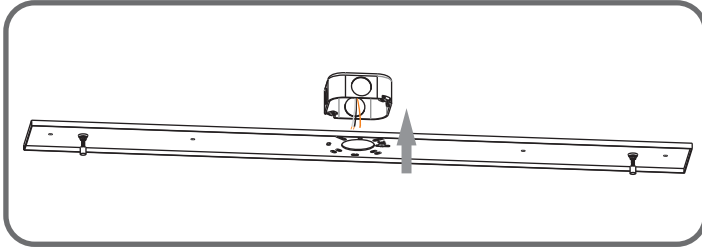


STEP 7

STEP 1

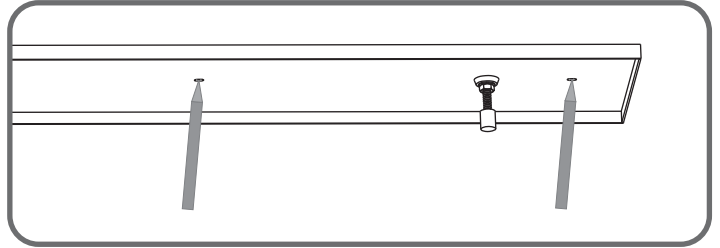
1

Fit inner backplate to outlet box



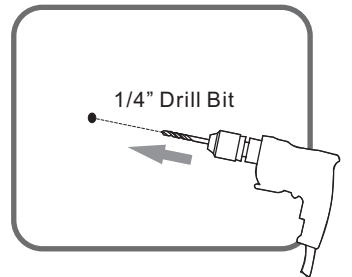
2

Mark Anchor Holes Location on the Ceiling



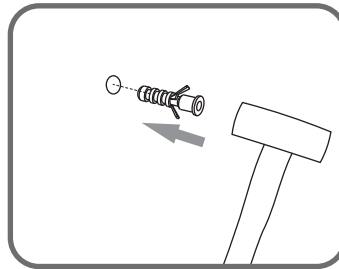
3

Drill Holes for Anchors from marks



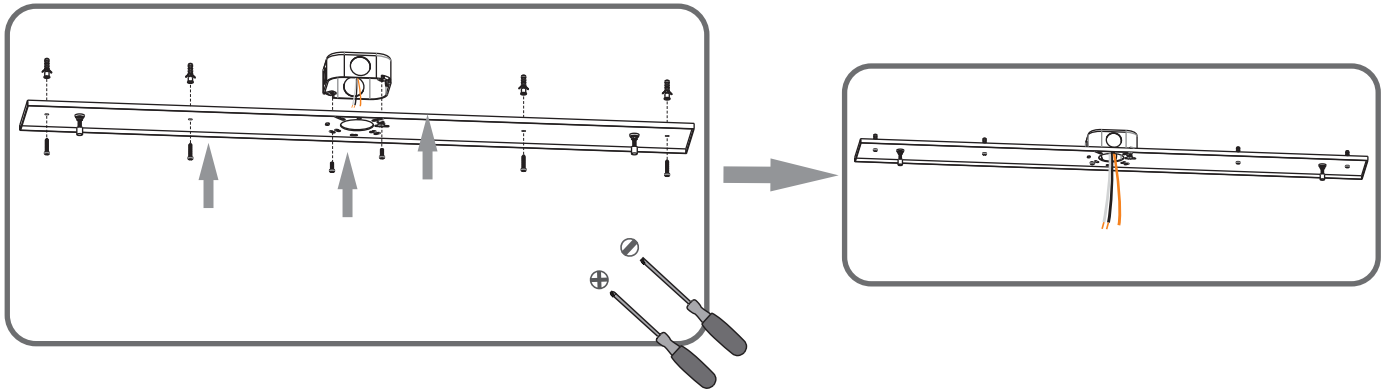
4

Install Wall Anchors

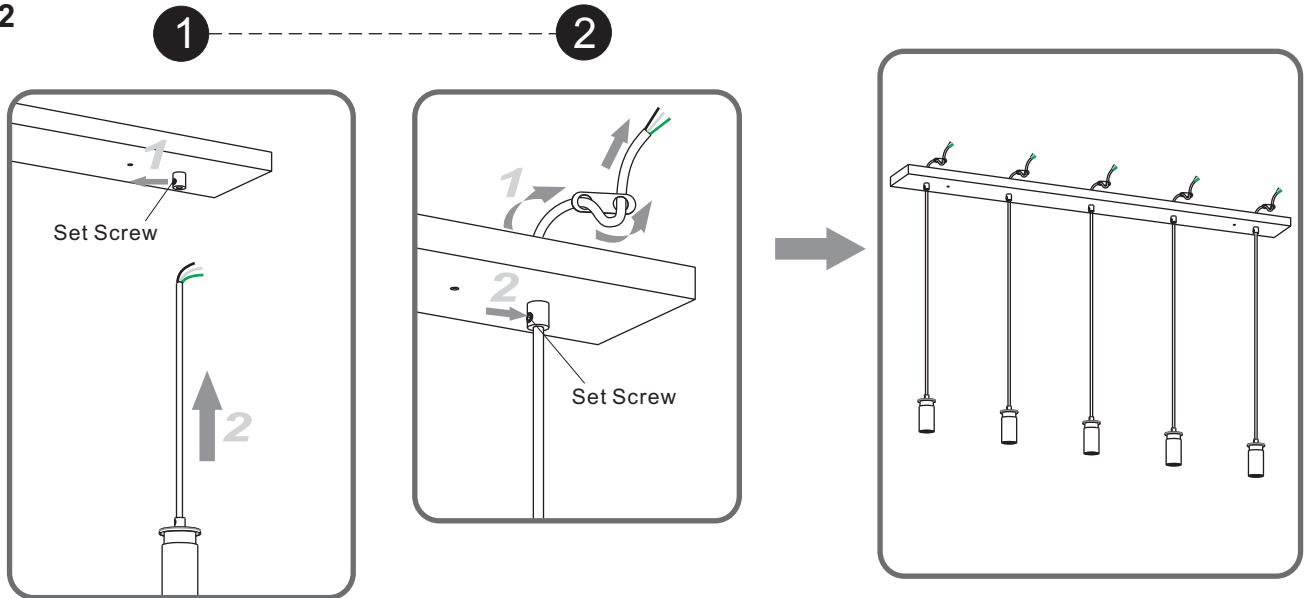


5

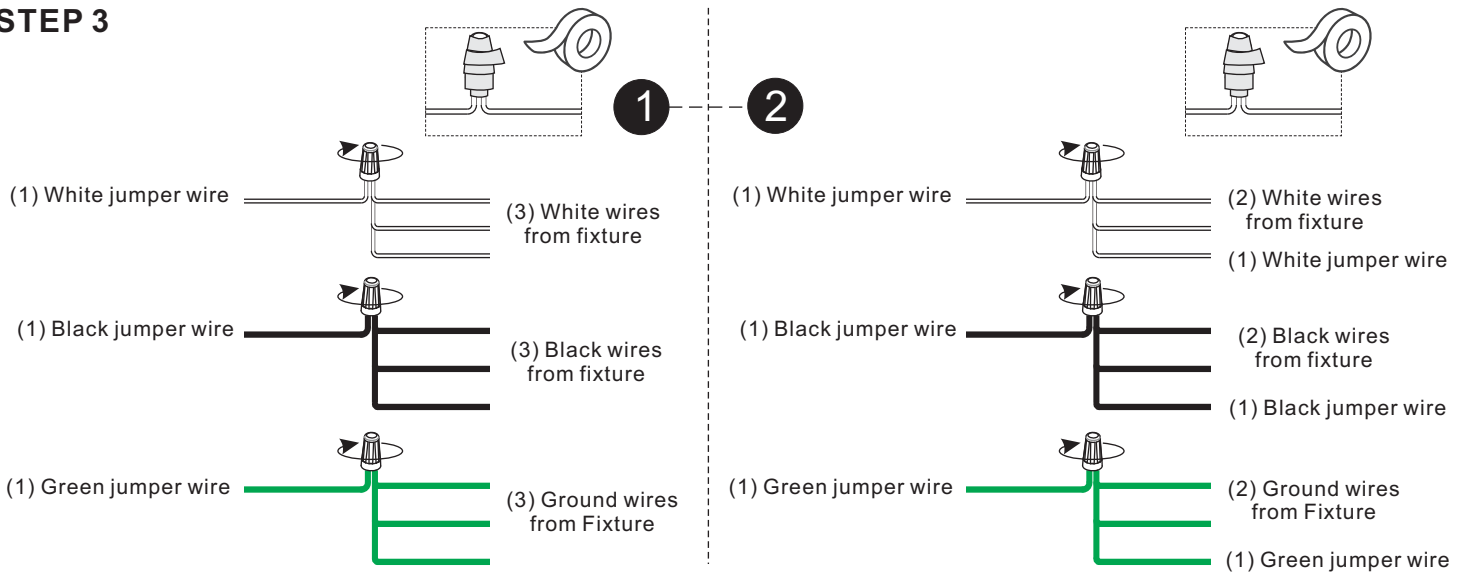
Install Inner Backplate Assembly



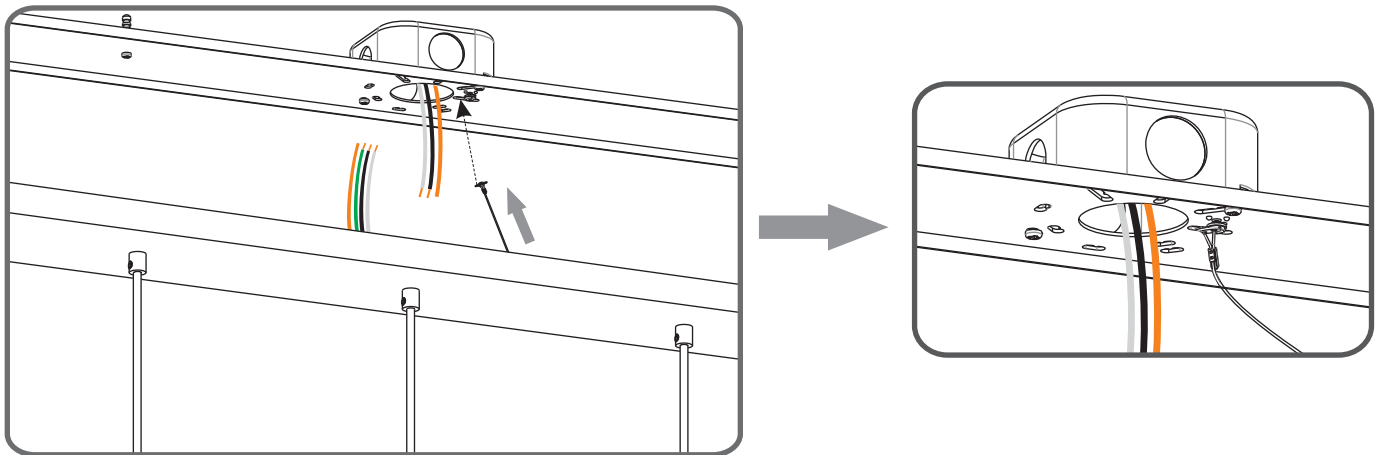
STEP 2



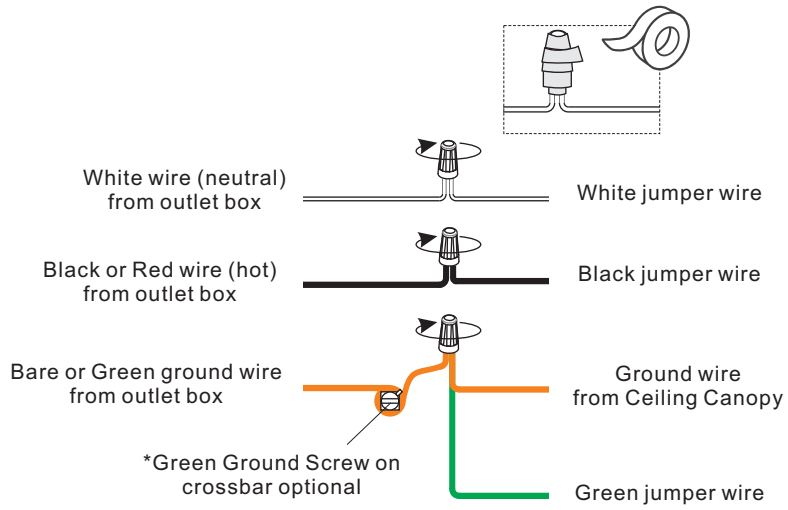
STEP 3



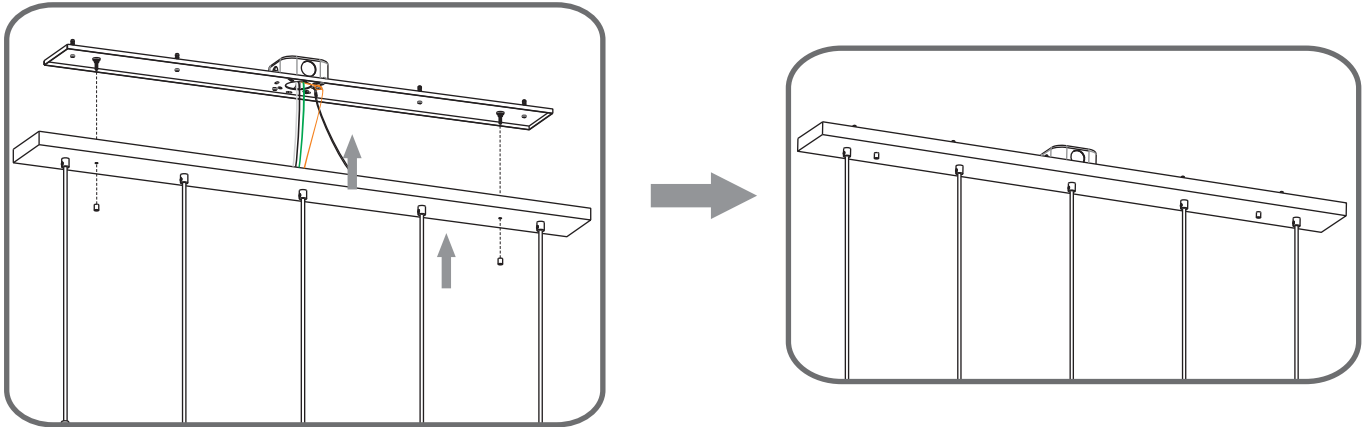
STEP 4



STEP 5



STEP 6



STEP 7

