



# AQUARIUS

## RAIN SHOWER SYSTEM

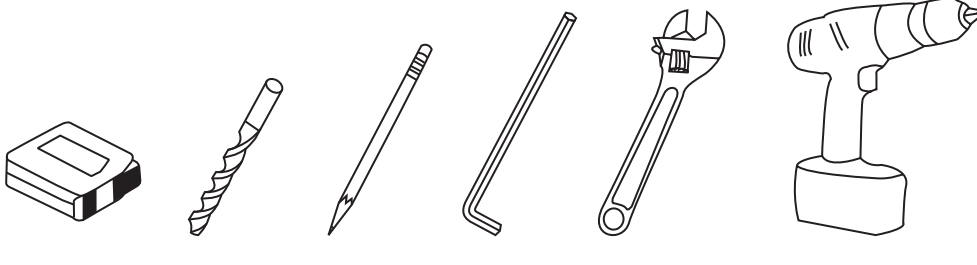
1052-CH

### PLEASE READ THE FOLLOWING INSTRUCTIONS COMPLETELY BEFORE BEGINNING!

Our goal is to ensure your installation goes smoothly and safely. Please read these instructions carefully and follow recommendations for plumbing and mounting. After reading instructions, if you determine you do not have the necessary skills and/or tools, we recommend that a licensed plumbing contractor complete the installation.

If you encounter any problems during installation  
Call Technical Support Toll Free at 888-785-7320  
Before returning your ShowerSpa to the store

#### You Will Need The Following Tools:



### Manufacturer's Warranty

PULSE Shower Spas, Inc. warrants that all ShowerSpas are free from defect in workmanship and/or materials for a period of three years from the date of purchase. This warranty extends to the original purchaser only and is non-transferable.

This warranty does not cover, and PULSE ShowerSpas will not pay for conditions, malfunctions or damages resulting from (1) normal wear and tear, improper installation (whether performed by a contractor, service company or the consumer), improper maintenance, misuse, abuse, negligence, accident or alteration; (2) the use of abrasive, caustic or "no-rinse" cleaning agents; (3) the use of the product in any manner contrary to the product instructions; (4) conditions in the home such as excessive water pressure or corrosion.

Should any ShowerSpa be determined by PULSE ShowerSpas, Inc. to be defective in normal residential use, at the option of PULSE ShowerSpas, Inc., such product shall either be replaced or repaired and returned to the customer free of defects. The consumer shall give notice of any defects to PULSE ShowerSpas, Inc. within thirty days of discovery of such defect.

Proof of purchase (original sales receipt) must be provided to PULSE Shower Spas, Inc. with all warranty claims. PULSE ShowerSpas, Inc. is not responsible for labor charges, removal charges, installation or other consequential costs. In no event shall the liability of PULSE ShowerSpas, Inc. exceed the purchase price of the ShowerSpa.

Some states/provinces do not allow limitations of how long an implied warranty lasts or the exclusion or limitation of such damages, so these limitations and exclusions may not apply to you. This warranty gives the consumer specific legal rights. You may also have other rights that vary by state/province.

Follow manufacturers recommended installation. Use caution with children under ten years of age. Do not use ShowerSpa as a support device.

Do not use harsh chemicals or abrasives when cleaning. Turn water supply off when servicing your ShowerSpa.



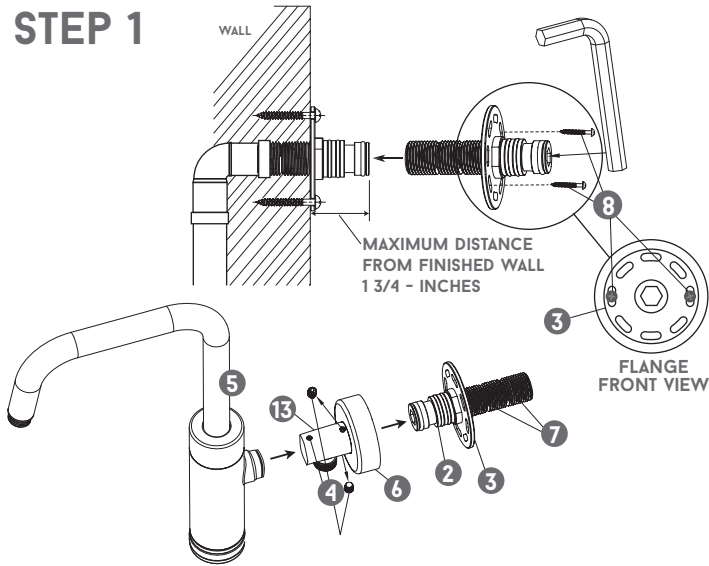
**PULSE**  
SHOWERSPAS

# AQUARIUS

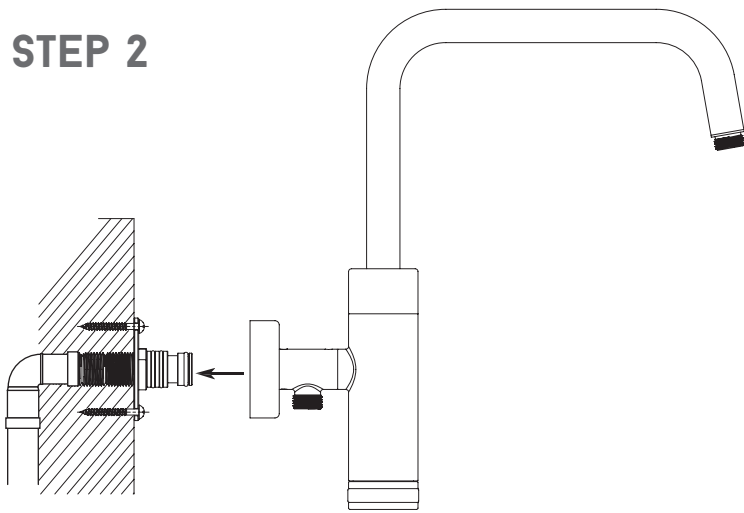
## RAIN SHOWER SYSTEM

### INSTALLATION MANUAL

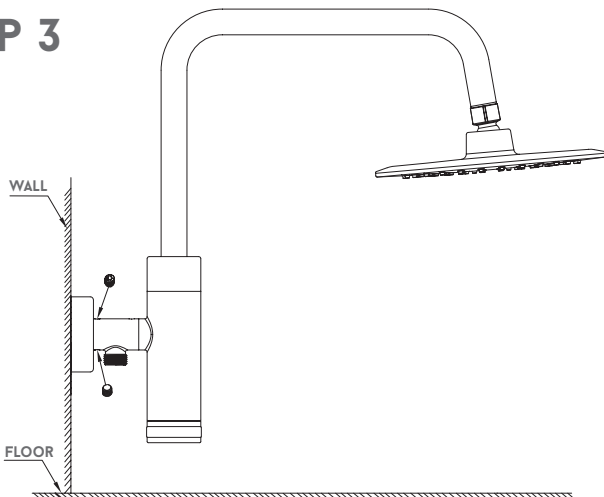
#### STEP 1



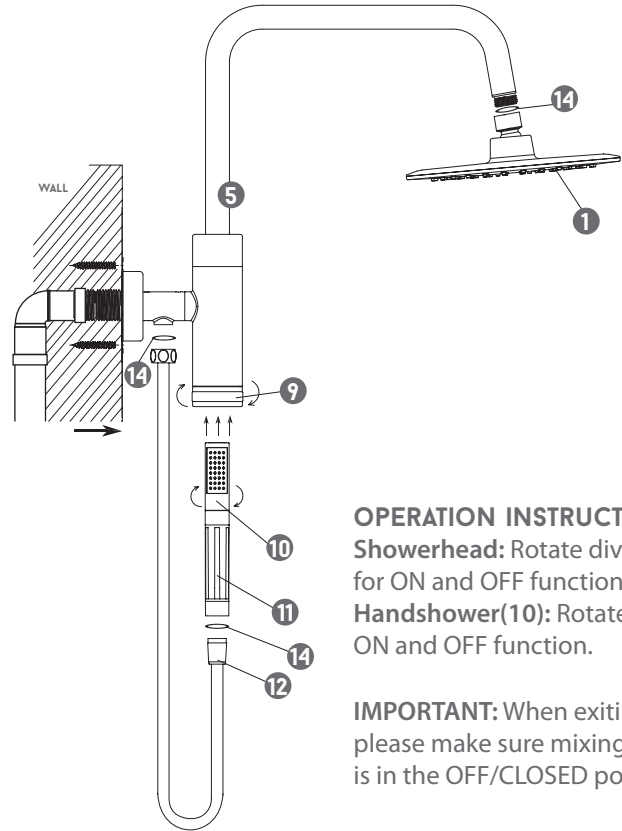
#### STEP 2



#### STEP 3



#### FINAL ASSEMBLY



#### OPERATION INSTRUCTIONS:

**Showerhead:** Rotate diverter(9) for ON and OFF function.

**Handshower(10):** Rotate handle for ON and OFF function.

**IMPORTANT:** When exiting shower please make sure mixing valve is in the OFF/CLOSED position.

#### PARTS LEGEND

- |                  |                                   |                       |
|------------------|-----------------------------------|-----------------------|
| 1. SHOWERHEAD    | 6. ESCUTCHEON                     | 10. HANDSHOWER ON/OFF |
| 2. INLET FITTING | 7. EXTENSION (2)                  | 11. HANDSHOWER        |
| 3. FLANGE        | 8. MOUNTING SCREWS W/ ANCHORS (2) | 12. SHOWER HOSE       |
| 4. SET SCREW (3) | 9. SHOWERHEAD ON/OFF              | 13. TOP-TEE           |
| 5. SHOWER BODY   |                                   | 14. RUBBER WASHER (3) |

#### Instructions:

- Remove inlet fitting(2) from top-tee(14) by loosening set screws(4).
- Remove top-tee(14) from shower body(5) by loosening set screws(4).
- Determine length of nipple for your installation. If needed, add extension(s)(7) for proper length.

**Note:** drawing on Step 1 for correct length.

- Apply PTFE tape (clockwise) or plumber's thread sealant to nipple threads.
- Thread flange(3) on to inlet fitting(2).
- Use Allen wrench to securely tighten nipple into wall fitting ensuring no leaks.

- Tighten flange(3) against finished wall surface.

**Optional:** Drill two 3/16-in. holes through flange.

Insert anchors(8) and secure with screws provided(8).

**CAUTION:** Live plumbing behind the wall.

- Slide escutcheon(6) onto top-tee(14).
- Re-insert top-tee(14) over inlet fitting(2).  
**Hint:** Use soft soap to lubricate o-rings.
- Vertically align top-tee(14) and secure with two set screws(4).
- Slide escutcheon(6) against finished wall surface.
- Attach shower body(5) to top-tee(14). Vertically align and secure with set screw(4).
- Insert a rubber washer(14), attach hose(12) to top-tee(14) and handshower.  
**Note:** Hex nut fastens to top-tee fitting(14). Tapered end of hose(12) attaches to handshower.
- Insert handshower into bottom of shower body(5) until magnet is activated.  
**Note:** Held with Magnetic holder
- Attach showerhead (1) to shower arm.



**PULSE**  
SHOWERS SPAS

#### CUSTOMER SERVICE

1-800-785-7320

support@PulseShowerSpas.com

Hours: Mon.-Fri. 8:30 to 5pm PST

For more information and shop for parts visit us at:

www.PulseShowerSpas.com

