



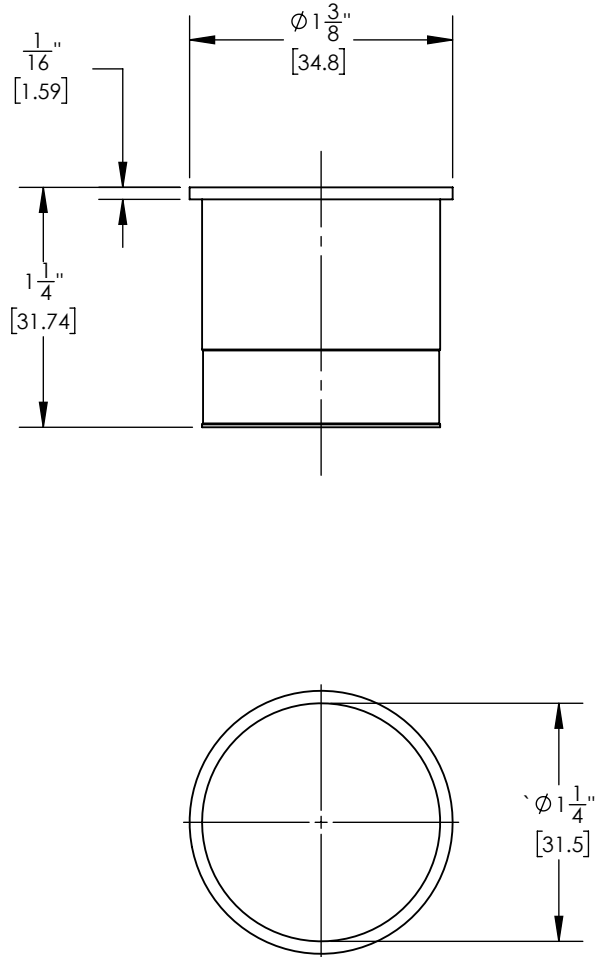
■ **PRODUCT FEATURES**

- Collection: Basic II
- Fastener/ Bolts included
-
-
-

■ **TECHNICAL DETAILS**

ADA Compliance: No
Primary Material: Brass

■ **PRODUCT DIMENSIONS**



WARRANTY

Mechanical Warranty: 10 Years from date of purchase.
Finish Warranty: See catalog for further information.