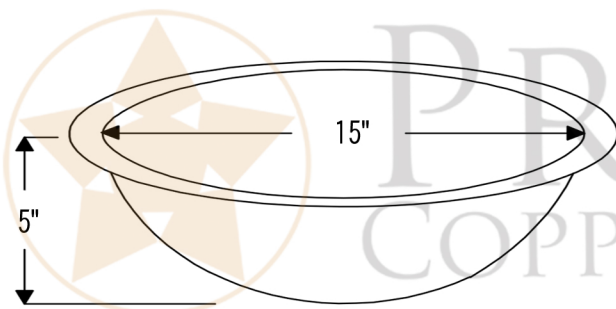
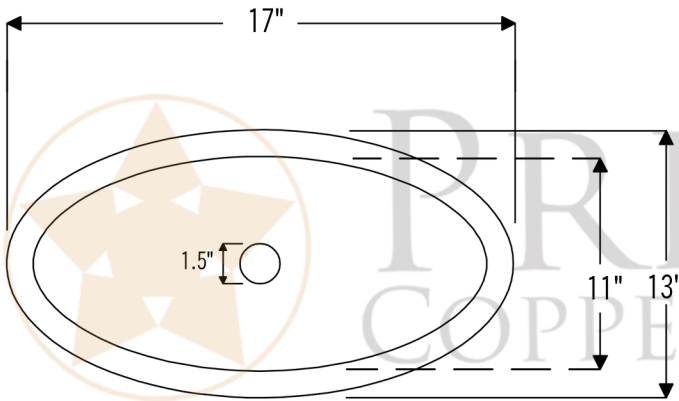




PREMIER
COPPER PRODUCTS

MODEL NUMBER: LO17FEN

- * Description: 17" Oval Under Counter Hammered Copper Sink in Nickel
- * Outer Dimension: 17" x 13" x 5"
- * Inner Dimension: 15" x 11" x 5"
- * Rim: 1" Flat Rim
- * Drain Opening: 1.5"
- * Finish: Nickel



THIS PRODUCT IS HAND CRAFTED, SMALL VARIANCES IN COLOR AND SIZE MAY OCCUR.
DO NOT MAKE ANY INSTALLATION CUTS UNTIL YOU RECEIVE YOUR ITEM(S).