

### Specification Submittal Data / Ventilation Fan Accessory

#### Description:

- HVI-Certified ventilation fan soffit termination discharge system designed for fans up to 110 CFM, using 4" ductwork.
- Designed for maximum fan flow performance by reducing total system pressure drop.
- Designed for pre-soffit installation.
- Enables complete ducting before soffit panel install.
- Eliminates water intrusion costs associated with roof and/or wall terminations.

#### Housing:

- Overall height is less than 6" and will fit in a 4-1/2" pitch roof overhang (with 2x6 fascia board).
- Fits in a narrow 12" soffit (10.5" fascia to building).
- EZ Soffit vent body snap-fits into mounting bracket and can be rotated 180 degrees to align with ducting.
- Low resistance backdraft damper eliminates cold drafts and improves blower door test results.

#### Mounting

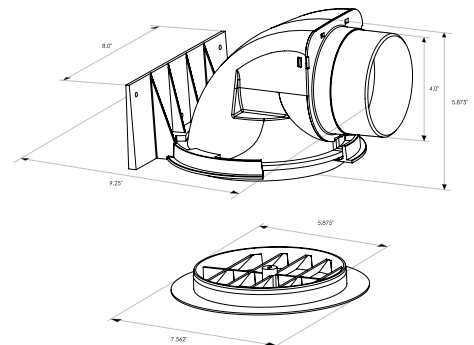
- Mounting bracket can be located anywhere there's a vertical surface within the overhang.
- Duct connection stub is 2.25" in length allowing plenty of surface area for connection and sealing.
- Flush mounted termination grille mounts with a single fastener (included).

#### Architectural Specifications:

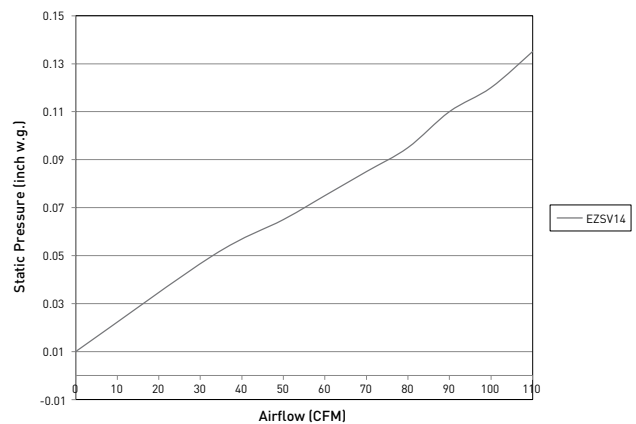
HVI-Certified soffit termination system designed for ventilation fans up to 110 CFM, using 4" ductwork. Allows for complete ducting prior to soffit panel installation. Vent body snap-fits into a mounting bracket and is able to rotate 180 degrees to align with ducting, and incorporates a built-in air-tight back draft damper. Minimum overhang specification: 4/12 pitch, 12" soffit (10.5" fascia to building), and 2x6 fascia board.



#### Dimensions:



Specifications: <b>EZSoffit Vent</b>		<b>EZSV14</b>
<b>Specifications</b>	Duct Diameter (in.)	4
	HVI-Certified	Yes
	Mfg in ISO 9001 Certified Facility	Yes
	Internal Backdraft Damper	Yes
	MFG in USA	Yes
<b>Shipping</b>	Gross Weight (lbs)	1.3
	Grille Size (in.)	7.56
<b>Installation</b>	Product Length (in.)	9.38
	Product Height (in.)	6.00
	Product Width (in.)	8.00
	Grille Rotation	360°
	Pre-Soffit Install	Yes
	Duct Adapter Mount Area	Side
	Duct Adapter Rotation	180°



For complete Installation Instructions visit [us.panasonic.com/ventfans](http://us.panasonic.com/ventfans)

Model	Quantity	Comments	Project:
			Location:
			Architect:
			Engineer:
			Contractor:
			Submitted by:
			Date:

Panasonic Eco Solutions North America  
 Eco Products Division  
 Two Riverfront Plaza  
 Newark, NJ 07102  
[us.panasonic.com/ventfans](http://us.panasonic.com/ventfans)

