

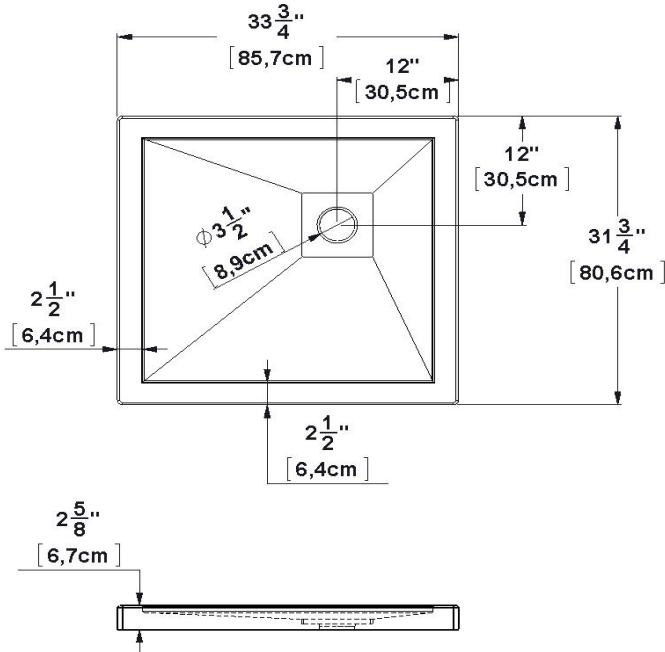
Base 34x32 RH corner drain Product code : **SB34R3212**

Draft revision : **20170320153000**

Nominal dimensions : **34" x 32" x 2,625"** [86,4 cm x 81,3 cm x 6,7 cm]

Material : **acrylic**

Draft and specs

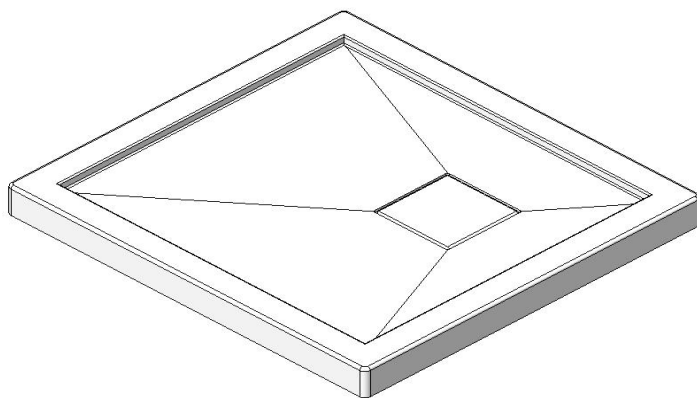


Specifications
Textured floor : no
Footrest : no
Characteristics : Corner base 12-12

Remarks
All measures have a precision of $\pm 1/4''$ (0,63cm)
If a measure is present on one side only, part is symmetrical



Available tile flanges configurations



Available options
Shower seat : SS16-A, SS16-B
Shower door : FP32 FP32R34

Additional note(s) :

Integrated tile flanges not shown. To be specified when ordering. Aluminium tile flanges can be supplied as an option.

IMPORTANT NOTE :
Specifications, dimensions and models are subject to change.
Visit our website <http://www.oceania-attitude.com> to access up-to-date dimensions and informations. In all cases, information on the website is the most up-to-date.

Head office

591, avenue des Entreprises
Thetford Mines, Quebec
CANADA G6H 4B2

Contact numbers

Phone : 1-877-332-4224
Fax : 1-866-460-4334

Internet

Web : <http://www.oceania-attitude.com>
Email : info@oceaniabaths.com