

# OSLO 3260

59 3/4" x 32" x 20 5/8"



## PRODUCT DESCRIPTION:

Adjustable feet  
Contemporary style  
Above-the-floor rough (AFR)

48hrs/5 days

## WATER CAPACITY:

54 Imperial gallons

## IMMERSION:

13 1/2 po

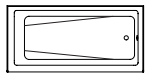
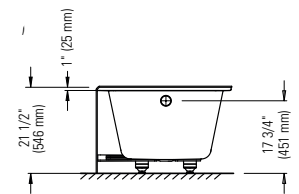
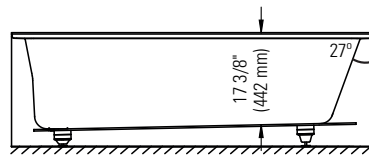
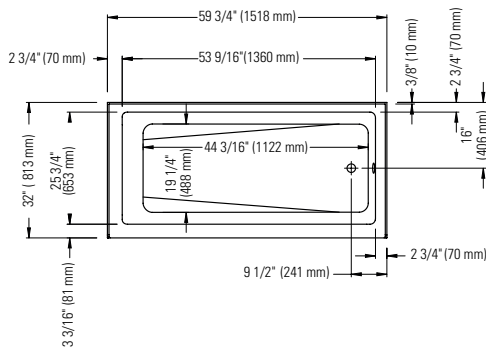
## BOX SIZE:

## NET WEIGHT:

73 lbs

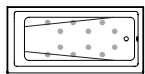
## GROSS WEIGHT:

88 lbs



Bathtub only

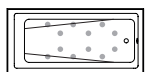
OSL3260 BJD  
OSL3260 BJJ



Mass-Air

OSL3260 BJDM  
OSL3260 BJGM

Included: 12 injectors, 750W (1 1/2h.p.) Optima blower, with 300W heating element, 72" blower hose extension, and remote control.



Rouge-Air

OSL3260 BJDA  
OSL3260 BJGA

Included: 12 micro-jets, 750W (1 1/2h.p.) Optima blower, with 300W heating element, 72" blower hose extension, and remote control.

## GENERAL OPTIONS

Acrylic Colour: White

Standard

Gel black neck pillow

D105 waste (20"): Chrome

## MASS-AIR / ROUGE-AIR OPTIONS

Mass-Air Jet finish: White/Chrome

Standard

Others: Chrome/Chrome

96" blower hose extension

A blower hose extension is required when the blower is located more than 4' from the bathtub.



CONFORMITY ATTESTATION

Bathtub Standards

cUPC

Hydromassage Standard

CAN / CSA.B45.10 / CSA.C22.2 / UL-1795



ECORESPONSABLE Certification

First manufacturer of bathroom products in North America to be certified ecoresponsible



Produits Neptune  
Rouge

6835, Picard street, Saint-Hyacinthe (Québec) J2S 1H3  
Phone: (450) 773-7058 - produitsneptune.com

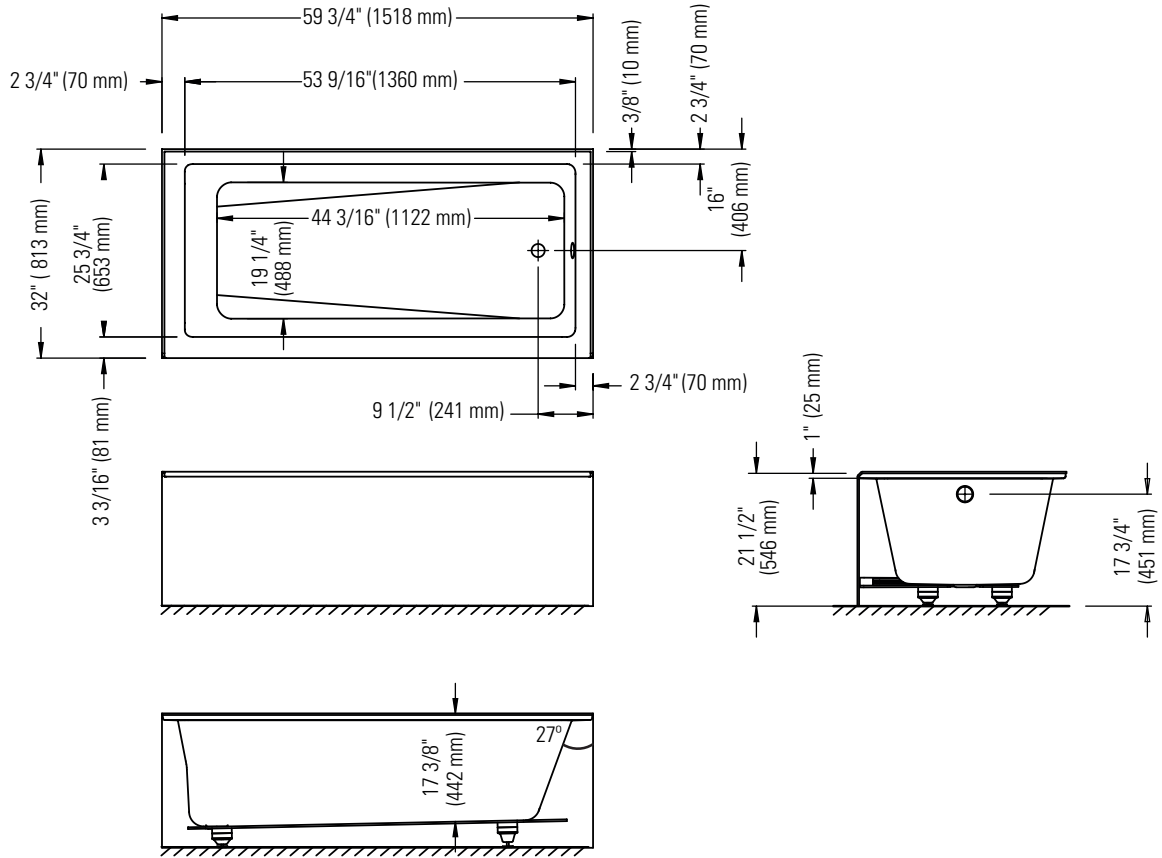
REV: 11-2020



Produits Neptune  
Rouge

# Oslo 3260 BJD

Bathtub



Ajustable feet

Above-the-floor rough (AFR)

\*All dimensions are approximate and subject to change without notice

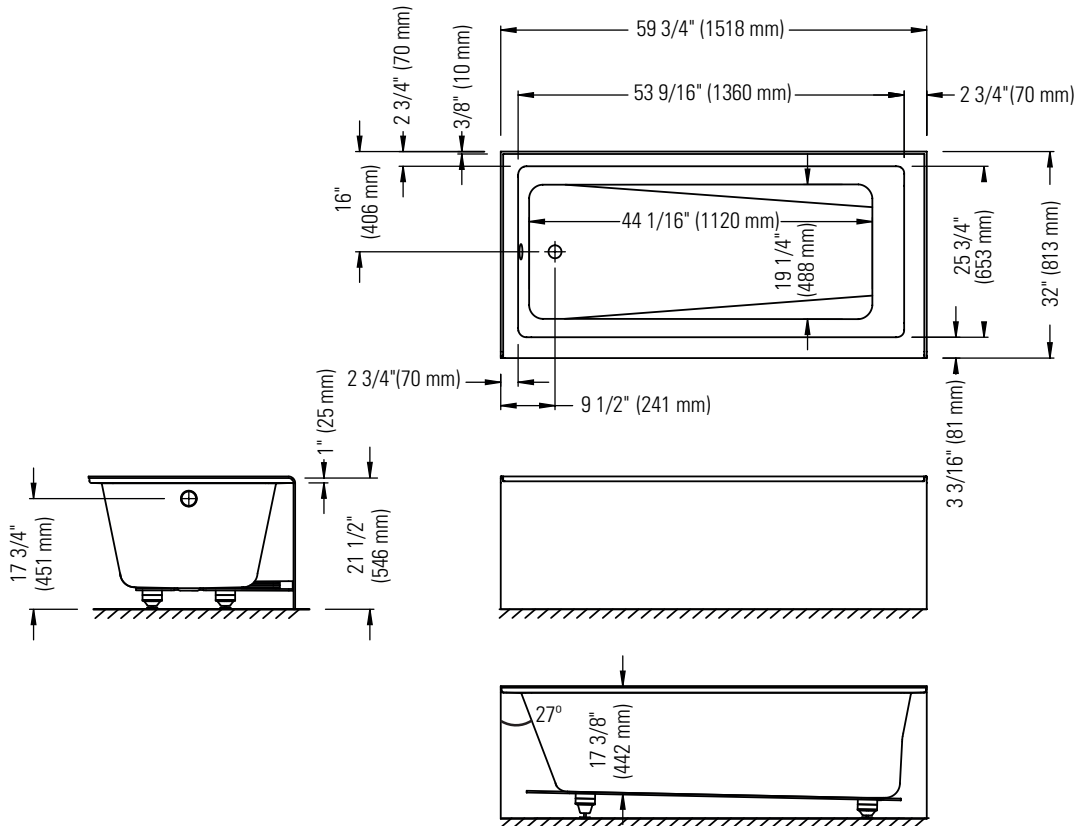
Please refer to the installation guide before beginning the installation



Produits Neptune  
Rouge

## Oslo 3260 BJG

Bathtub



Ajustable feet

Above-the-floor rough (AFR)

\*All dimensions are approximate and subject to change without notice  
Please refer to the installation guide before beginning the installation