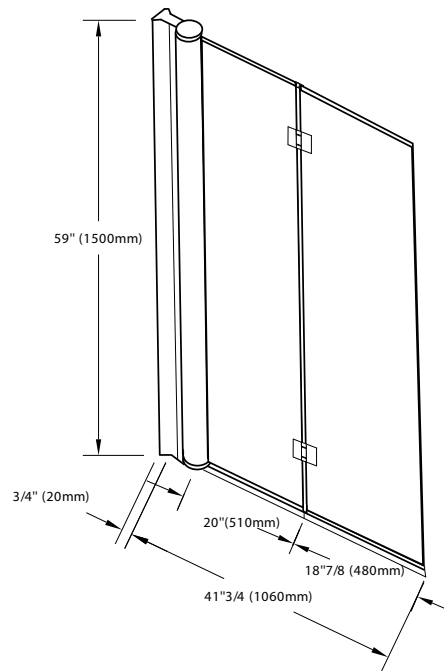


# HERENCIA BATHTUB DOOR



## PRODUCT DESCRIPTION:

Contemporary style  
 2 panels clear tempered glass door.  
 Can be installed left or right.  
 Square brass hinges.  
 Hand polished aluminum extrusions easy to install and allow a 3/4" adjustment on either side for wall that are out of plumb.  
 8 mm tempered glass with polished edges.  
 Offered in chrome/clear

24-48 hrs

## BOXES SIZE:

61" x 24" x 3"

## NET WEIGHT:

60 lbs

## GROSS WEIGHT

60 lbs

\* Produits Neptune applies a cutting-edge protective covering, which repels water and dirt for easy cleaning and increases the lifespan of your bathtub doors.



Certification ECORESPONSIBLE  
 First manufacturer of bathroom products in North America to be certified ecoresponsible.



Produits Neptune

ENTREPRENEUR

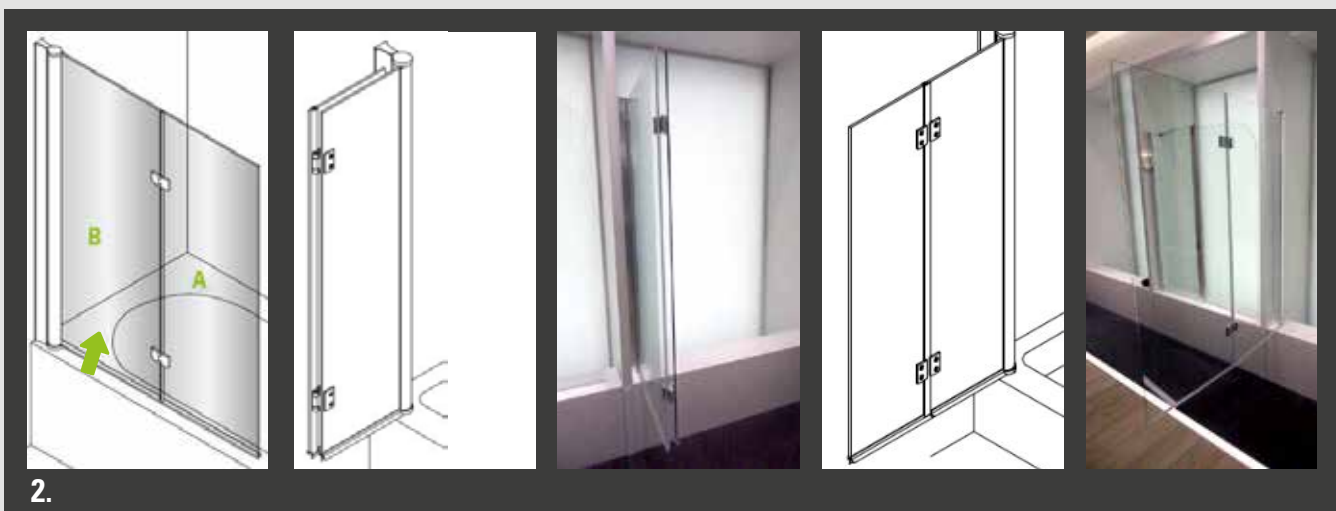
6835, Picard street, Saint-Hyacinthe (Quebec) J2S 1H3  
 Phone: (450) 773-7058 - Fax: (450) 773-5063  
 produitsneptune.com

# Herencia bathtub door



1.

Panel A can be opened outward up to 180 degrees. Please see the above diagram.



2.

Panel B can be opened outward up to 90 degrees. Please see the above diagram.



Produits Neptune

ENTREPRENEUR