



---

## ASSEMBLY AND MOUNTING INSTRUCTIONS

---

### GENERAL

---

- **WARNING-DISCONNECT POWER BEFORE RELAMPING OR WIRING THE FIXTURE. TURN OFF THE ENTIRE ELECTRICAL CIRCUIT TO WHICH THE LIGHTING FIXTURE IS ATTACHED**
- INSTALLATION AND MAINTENANCE OF THIS FIXTURE SHOULD BE COMPLETED BY A LICENSED ELECTRICIAN
- **FAILURE TO INSTALL FIXTURE CORRECTLY COULD RESULT IN SERIOUS INJURY OR DEATH**
- READ ALL INSTRUCTIONS BEFORE STARTING INSTALLATION.
- IF AN EXISTING FIXTURE IS BEING REPLACED, REMOVE IT AND NOTE TO WHICH WIRE IN THE OUTLET BOX THE ORIGINAL FIXTURE WAS ATTACHED.
- BEFORE DISCARDING THE CARTON DOUBLE CHECK THE PACKAGING TO MAKE SURE ALL PARTS HAVE BEEN FOUND.
- THIS FIXTURE WAS DESIGNED TO BE MOUNTED TO AN OCTAGON OUTLET BOX. THE BOX MUST BE SECURELY MOUNTED TO THE STRUCTURE OF THE BUILDING.

---

### INSTALLATION

---

- STEP 1.** Feed the cord through the screw collar, canopy, nipple, and mounting plate until you desired hanging height is met.
- STEP 2.** Tie an overhand knot to secure wire in place above the nipple, and trim off excess wire to min 6" beyond the knot. Strip each wire end 5/8"
- STEP 3.** Attach the mounting plate to the outlet box using the two mounting screws.
- STEP 4.** Fasten ground wire to ground wire from the wall outlet box (usually green or copper color) or connect ground wire to green screw on the mounting plate.
- STEP 5.** Connect the neutral (white) fixture wire coming from the fixture base to neutral (usually white) outlet wire. Fasten both wires together with a plastic wire nut and tightly wrap the wire nut with electrical tape.
- STEP 6.** Repeat the previous step with the hot (black wires). Make sure there are no exposed wires or strands that could cause a dangerous short circuit.
- STEP 7.** Carefully place wires into Outlet Box.
- STEP 8.** Place the canopy with the fixture over the outlet box and fasten it by the screw collar.
- STEP 9.** Install the lamp. The fixture is rated for 40 watt type A lamp.
- STEP 10.** Tilt and rotate the glass shade so that the glass holder into glass shade. Drop metal cup and secure with the metal ring.
- STEP 11.** Restore power to the circuit at breaker or fusebox.
- FAILURE TO CONNECT THE APPROPRIATE WIRES CORRECTLY COULD RESULT IN SERIOUS INJURY OR DEATH!**
- DO NOT EXCEED RECOMMENDED WATTAGE!**

---

### DIMMING

---

The fixture can be controlled by a wall dimming device. Only use triac/electronic dimmer. Make sure carton is marked for use with LED compact fluorescent-incandescent light source only. These can be

provided by your local electrical distributor, home center, or hardware store.

---

### CLEANING

---

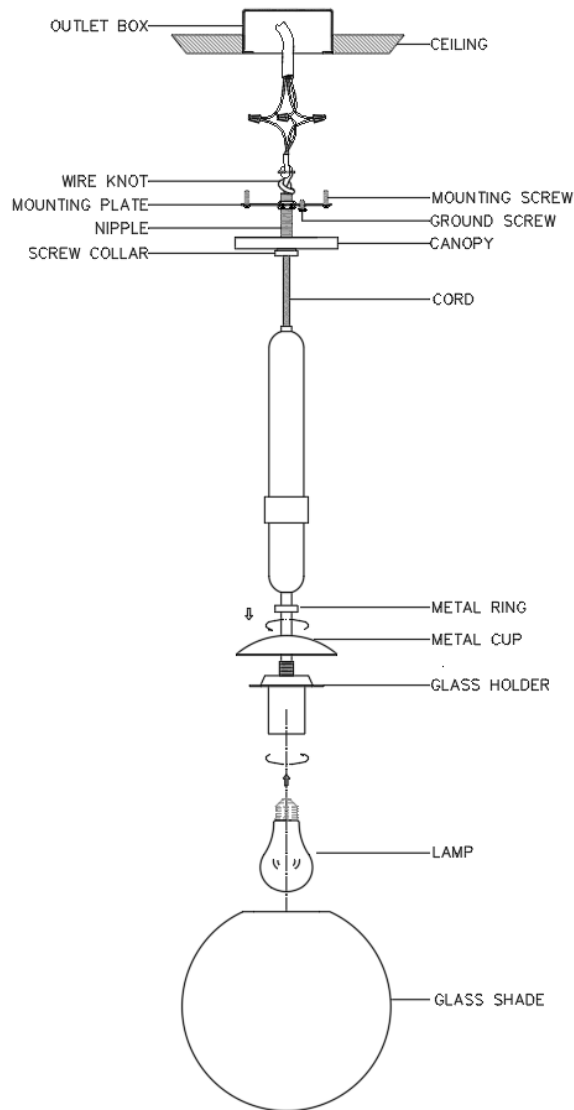
Please clean with a soft, dry cloth ONLY! Do not use cleaning products.



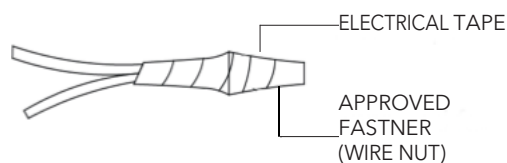
**mitzi**  
HUDSON VALLEY LIGHTING

H289701S, H289701L BRIELLE PENDANT

ASSEMBLY AND MOUNTING DIAGRAM



WIRE NUT/TAPING DIAGRAM





## NOTICE D'ASSEMBLAGE ET DE MONTAGE

### GENERALITÉ

- **AVERTISSEMENT - TOUJOURS DÉBRANCHER LA LAMPE À LA PRISE AFIN DE COUPER INTÉGRALEMENT LE CIRCUIT ÉLECTRIQUE AVANT D'INSTALLER, DE NETTOYER OU D'ENTREPRENDRE TOUT AUTRE ENTRETIEN.**
- **UNE INSTALLATION INCORRECTE DU DISPOSITIF PEUT ENTRAÎNER DES BLESSURES GRAVES OU LA MORT.**
- VEUILLEZ LIRE TOUTE LA NOTICE AVANT DE PROCÉDER À L'INSTALLATION.
- AVANT DE JETER LA BOÎTE D'EMBALLAGE, CONTRÔLER L'EMBALLAGE POUR S'ASSURER QUE TOUTES LES PIÈCES ONT ÉTÉ TROUVÉES.

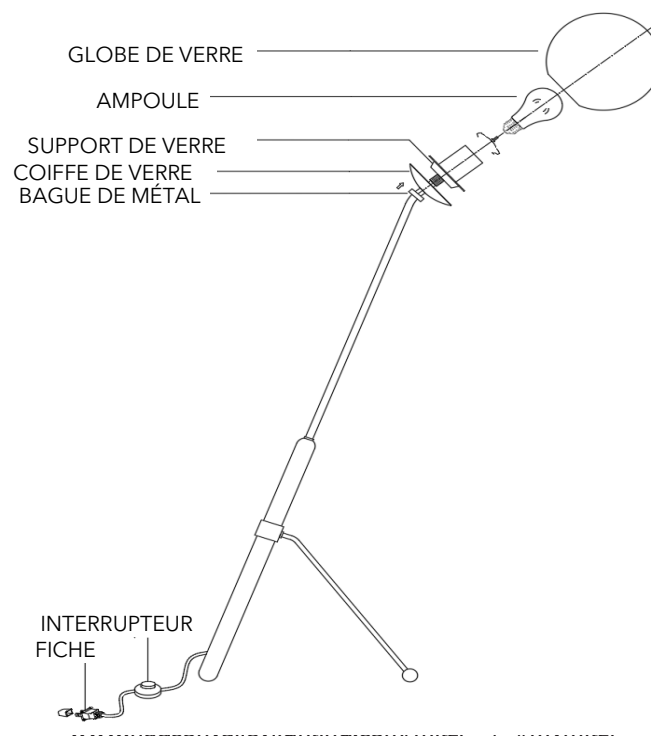
### INSTALLATION

- PAS 1.** Retirer la lampe de table avec accessoires du carton.
- PAS 2.** Dévisser la bague pour dégager la coiffe de verre.
- PAS 3.** Installer l'ampoule. Le dispositif est prévu pour une ampoule de 60 watt de type A.  
**NE PAS DÉPASSER LE WATTAGE RECOMMANDÉ!**
- PAS 4.** Incliner et tourner le globe de verre de manière à ce que le support de verre s'insère dans ledit globe de verre. Lever la coiffe de verre et sécuriser au moyen de la bague en métal.
- PAS 5.** Brancher la fiche à une prise approuvée et tension correctement évaluée.
- PAS 6.** L'interrupteur est installé au cordon.

### NETTOYAGE

A nettoyer UNIQUEMENT avec un chiffon doux et sec! Ne pas utiliser de produits de nettoyage.

### SCHÉMA D'ASSEMBLAGE ET DE MONTAGE





**mitzi**  
HUDSON VALLEY LIGHTING

HL289401 BRIELLE FLOOR LAMP

---