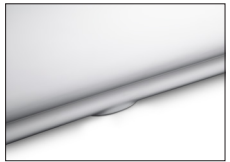
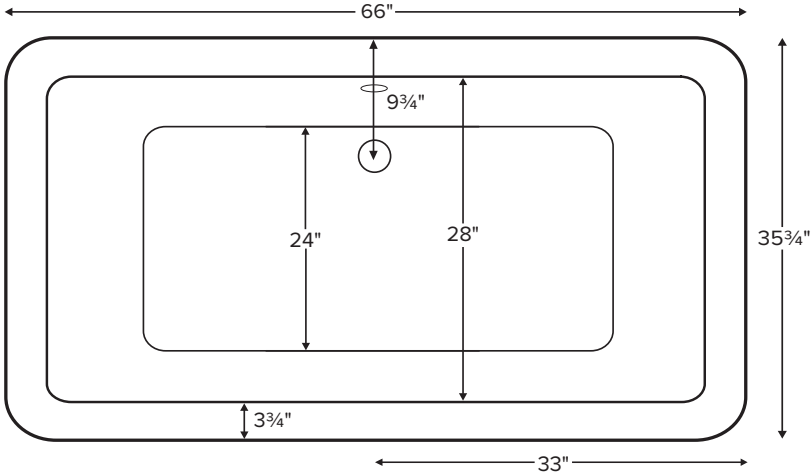


Designer Collection Tubs



Parisian® 1 with Bun Feet

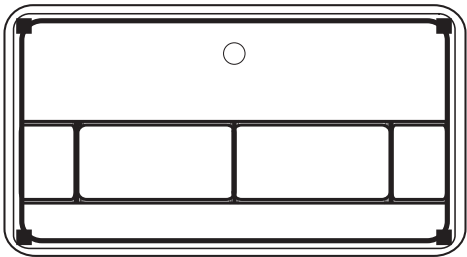
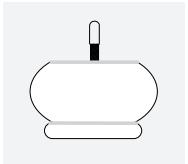
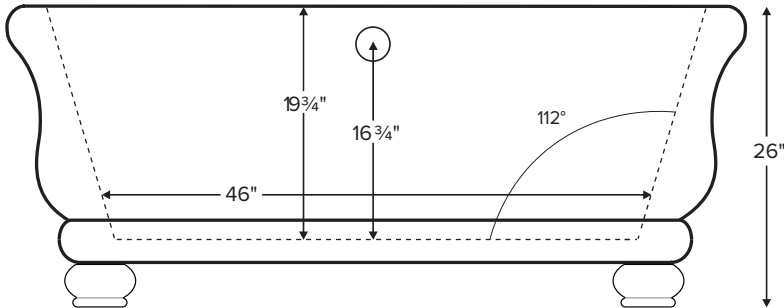
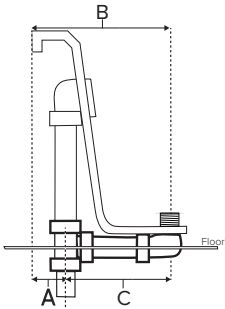
MODEL 146C	
66" x 35.75" x 26"	
FREESTANDING 87 gal to overflow	
Acrylic CXL®	DoloMatte®
240 lbs / 109 kg	<SOAKER> 270 lbs / 122 kg
Filling this tub to the maximum may require an above average size or dedicated water heater.	



Back of tub designed to accommodate rear drain.

Drain Rough-In Measurements

A	B	C
4 3/4"	9 3/4"	5"



Bottom view with frame for bun feet

ELECTRICAL COMPONENTS & SPECIFICATIONS

Available as Soaker only

CSA Certified C/US; ANSI Z124.1

See the Installation & Operation Manual for more details.
MTI's Customer Service: Monday-Friday 8am-6pm EST
800-783-8827 or service@mtibaths.com

- Before discarding tub packaging, check for accessories that may be packaged inside.
- All product measurements are ±1/2".
- Specifications and configurations are subject to change without notice.
- Measurements herein supersede all others published prior to publication date below.

IMPORTANT ORDERING & INSTALLATION INFORMATION:

- Comes as a Soaker only.
- No access panel. Tub features factory-installed overflow with toe tap drain.
- Faucet valves cannot be installed on this tub model.
- All tubs are in accordance with CSA B45.5/APMO Z124 standard and compliant with ASTM C 1028-07 coefficient of friction. DoloMatte meets ANSI A137.1/A326.3 coefficient of friction and AS HB198:2014 pendulum slip resistance testing.



Parisian® 1 with Bun Feet
MODEL 146C
66" x 35.75" x 26"

Hydrotherapy Packages	Package Contents	Acrylic CXL®		DoloMatte®	
		Part #	MSRP	Part #	MSRP
Soaker	Soaking bath - no jets; includes factory-installed overflow with toe-tap drain kit in chrome finish, steel tub frame and bun feet. NOTE: Overall height with bun feet is 26".	S146C	\$11,920	S146CDM	\$12,640

Options <i>Must be ordered at time of purchase</i>
Standard Colors White (CWH) DoloMatte available in matte white only
Textured Bottom (TXTBTM) Acrylic CXL® only \$105 DoloMatte® exceeds ANSI A137.1/A326.3 and AS HB198 slip tests.

Accessories
Pillows from \$180
Teak Bath Mat (TKMAT3018) \$815 <i>Custom sizes also available. Contact MTI for details and pricing.</i>
Floor-Mounted High-Flow Tub Filler Contemporary Chrome (FILLC) \$1,480 Brushed Nickel (FILLBN) \$1,710
SculptureStone® Premium Faucet Stand
15" w x 39" h
Matte (SSFSR3915MT) \$2,365
Gloss (SSFSR3915GL) \$2,720
10" w x 39" h
Matte (SSFSR3910MT) \$2,135
Gloss (SSFSR3910GL) \$2,525
20" w x 23" h
Matte (SSFSR2320MT) \$1,930
Gloss (SSFSR2320GL) \$2,315
15" w x 23" h
Matte (SSFSR2315MT) \$1,825
Gloss (SSFSR2315GL) \$2,180

Drains & Overflow Kits *Must be ordered at time of purchase*

Toe Tap with Round Overflow – PVC Drain Kit <i>Overflow is factory-installed</i> Chrome (WOTTC) included Brushed Nickel (WOTTBNU) substitute free of charge

Finish Upcharge White (WOTTWU) \$35 Polished Nickel (WOTTPNU) \$60 Oil-Rubbed Bronze+ (WOTTORU) \$65 Special Finishes* (WOTTSFU) \$790

