

DESCRIPTION

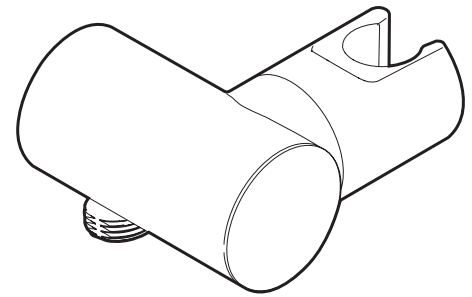
- Metal and plastic construction with various finishes identified by suffix
- Drop ell with integrated holder for hand shower
- +/- 10° of rotational adjustments
- 1/2" IPS connection
- **Mounts with handshower holder on right side only**

STANDARDS

- Third party certified to ASME A112.18.1/CSA B125.1 and all applicable requirements referenced therein

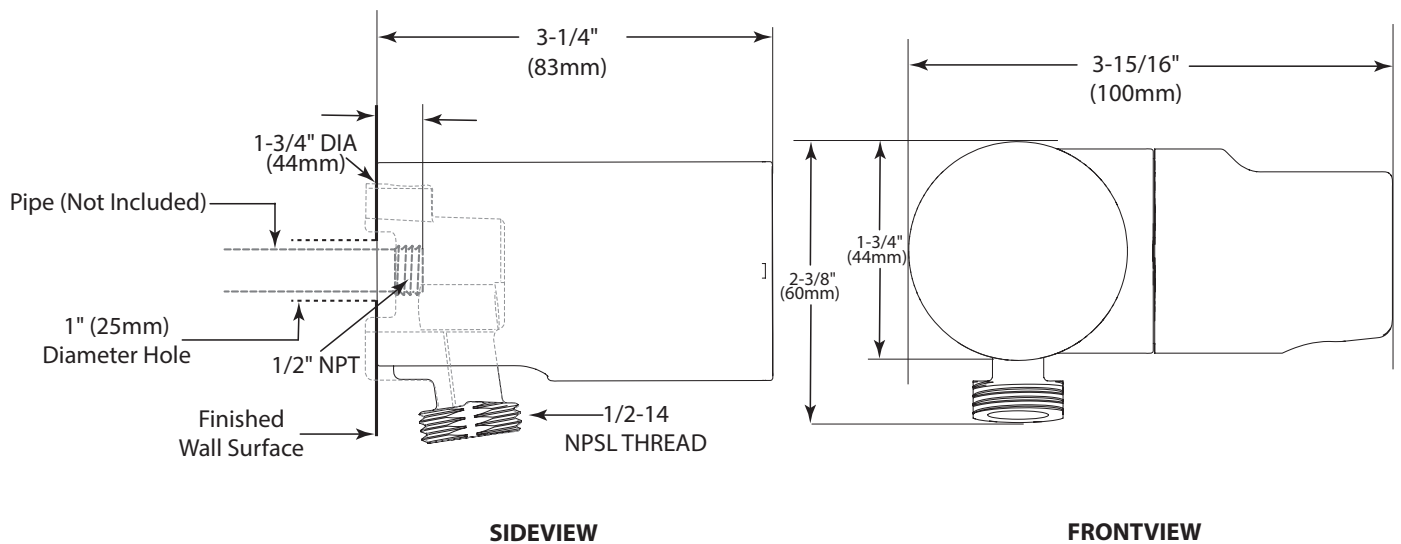
WARRANTY

- Lifetime limited warranty against leaks, drips and finish defects to the original consumer purchaser
- 5 year warranty if used in commercial installations



Drop Ell with Handshower Cradle

Models: A755 series



CRITICAL DIMENSIONS

(DO NOT SCALE)