

DESCRIPTION

- Various finishes identified by suffix
- Handheld shower
- 69" double interlock spiral hose (metal)
- Double check valve in handle
- 30" slide bar with push button height selection

OPERATION

- Single function
- Handshower holder rotates to adjust angle of handshower

FLOW

- EP suffix models are limited to 1.75 gpm (6.7 L/min) max

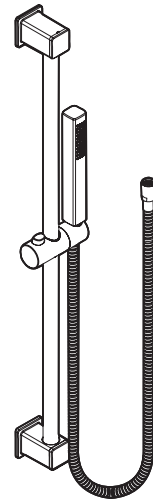
STANDARDS

- Designed and manufactured to meet: ASME A112.18.1/CSA B-125.1, ASSE 1014 and all applicable specifications referenced therein
- EP suffix models are third party certified to WaterSense®

WARRANTY

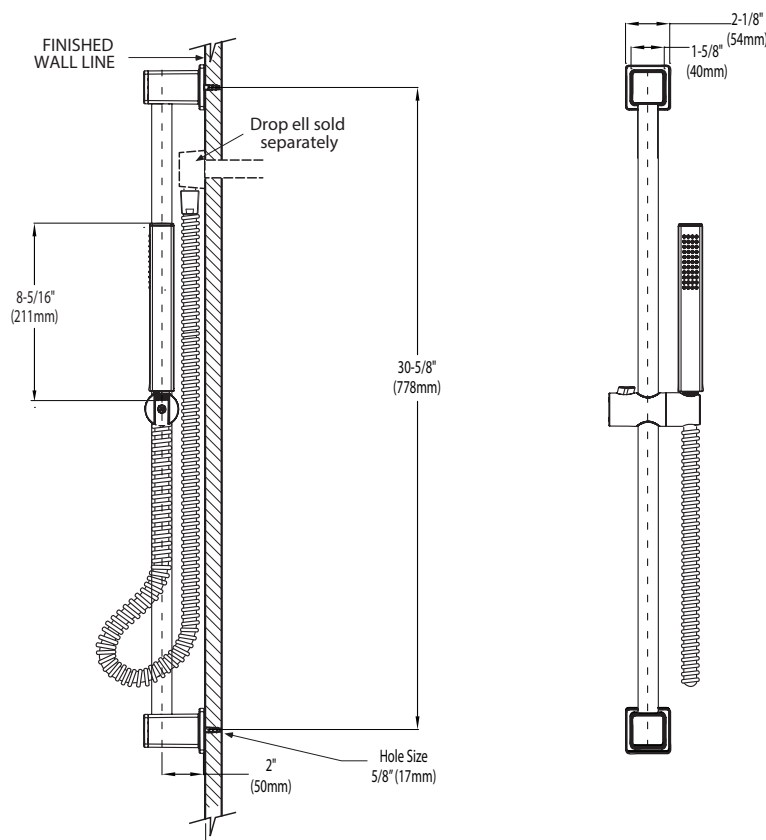
- Lifetime limited warranty against leaks, drips and finish defects to the original homeowner
- 10 year limited warranty when used in a multifamily installation
- 5 year limited warranty when used in a commercial installation

Visit www.moen.com/support for complete details and limitations



**Single Function Handshower
with Slide Bar**

Models: 3988EP series



CRITICAL DIMENSIONS

(DO NOT SCALE)