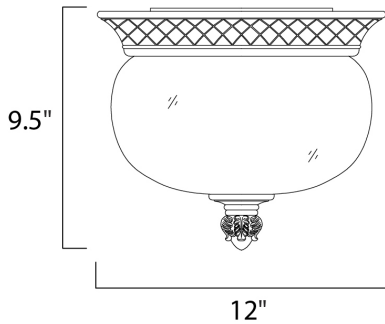




PRODUCT DESCRIPTION

Maxim Lighting's Carriage House VX Collection is made with Vivex, a material twice the strength of resin, is non-corrosive, UV resistant and backed with a 5-Year Limited Warranty. Carriage House VX features our Oriental Bronze finish and Water Glass.



MEASUREMENTS

DIMENSION : 12" L x 12" W x 9.5" H
 HANGING WEIGHT : 6.17 lb

LAMPING

INPUT VOLTAGE : 120V
 LUMENS : 1,344 Rated
 BULB : 2 x 40W Incandescent E12 Candelabra , 80W Total
 BULB INCLUDED : (Not Included)
 DIMMABLE : Yes

FINISHES OPTION

 Oriental Bronze

GLASS

Water Glass WG

MATERIAL

Vivex Resin Composite + Glass

RATINGS

cETLus
 Damp Location



ADDITIONAL

RATED LIFE 1500 Hours
 OPERATING TEMPERATURE:
 -20°C (-4°F), 40°C (104°F)

Always consult a qualified electrician before installing any lighting product.



WESTERN DISTRIBUTION CENTER (HEADQUARTER)
 253 NORTH VINELAND AVE | CITY OF INDUSTRY, CA 91746

EASTERN DISTRIBUTION CENTER
 4200 SHIRLEY DR. | ATLANTA, GA 30336

P. 626.956.4200 | F. 626.956.4225 | maximlighting.com