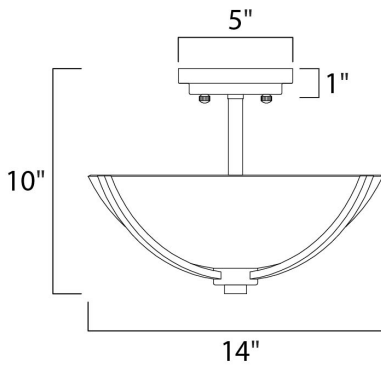




PRODUCT DESCRIPTION

A clean, contemporary design featuring rectangular tubing, finished in your choice of Polished Chrome or Oil Rubbed Bronze, is enhanced by the tall scale, Satin White glass shades.





MEASUREMENTS

DIMENSION : 14" L x 14" W x 10" H
 HANGING WEIGHT : 4.08 lb

LAMPING

INPUT VOLTAGE : 120V
 LUMENS : 0 Rated
 BULB : 3 x 60W Incandescent E26 Medium , 180W Total
 BULB INCLUDED : (Not Included)
 DIMMABLE : Yes

FINISHES OPTION

-  Oil Rubbed Bronze
-  Polished Chrome

GLASS

Satin White SW

MATERIAL

Glass + Steel

RATINGS

cETLus
 Dry Location



ADDITIONAL

OPERATING TEMPERATURE:
 -20°C (-4°F), 40°C (104°F)

Always consult a qualified electrician before installing any lighting product.



WESTERN DISTRIBUTION CENTER (HEADQUARTER)
 253 NORTH VINELAND AVE | CITY OF INDUSTRY, CA 91746

EASTERN DISTRIBUTION CENTER
 4200 SHIRLEY DR. | ATLANTA, GA 30336

P. 626.956.4200 | F. 626.956.4225 | maximlighting.com