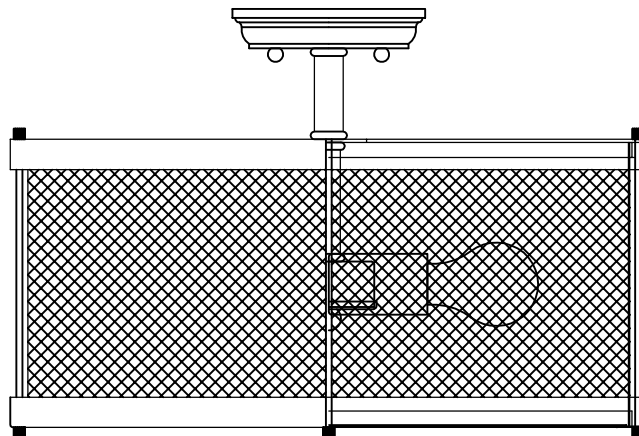




PRODUCT NAME: Palladium
ITEM NUMBER: 20110

Please consult your electrician for hanging fixture and wiring.



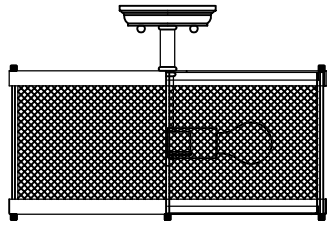
Bulb(not included): 3X 60watts Max Medium Base Bulbs

**PRODUCTS ARE NOT INENDED
FOR COMMERCIAL USE.**

MADE IN CHINA

Page 1 of (2)

IMPORTANT: Turn off power at the main fuse or circuit breaker box before starting installation



(A) Body

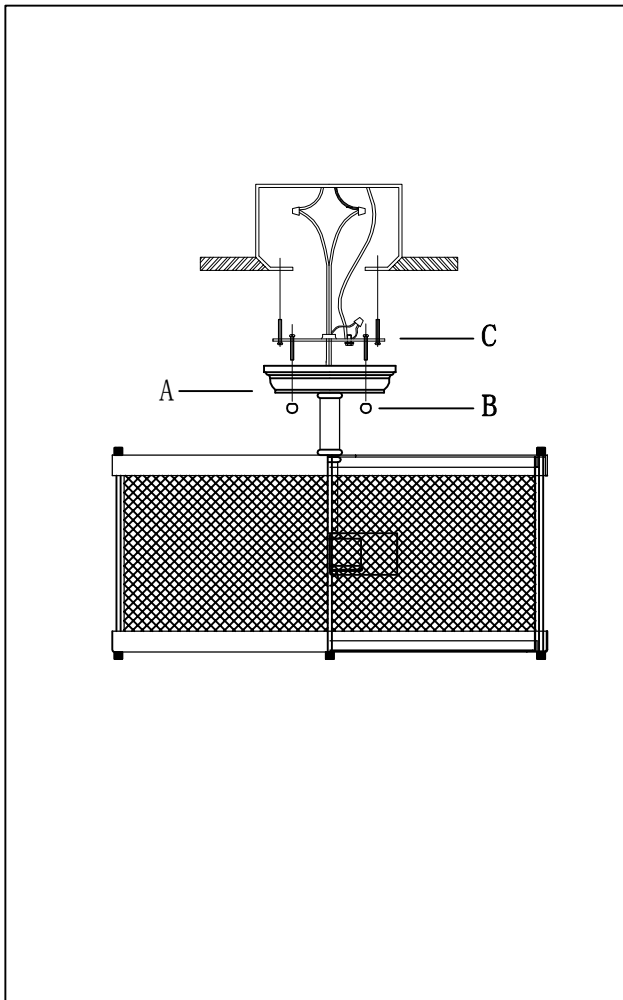


(B) Ball nut

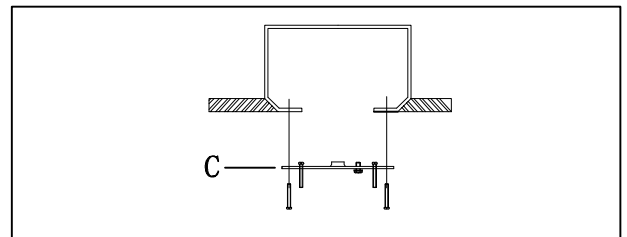


(C) Mounting bracket

Locate all hardware & components before discarding packaging

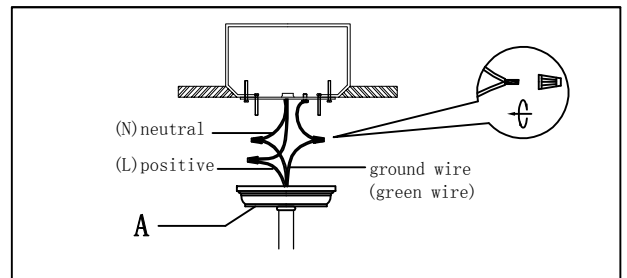


1.)



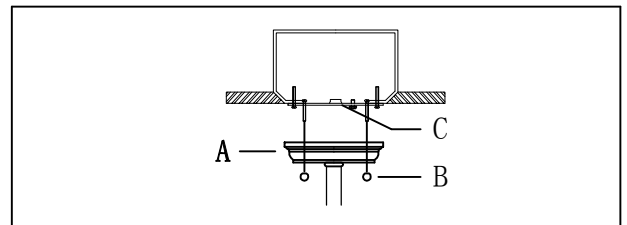
Step. 1: Install mounting bracket (C) to outlet box.

2.)



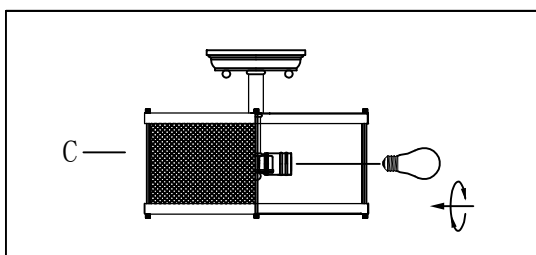
Step. 2: Wire fixture to wires in outlet box. Copper/green wire is for Ground.

3.)



Step. 3: Attach fixture to mounting bracket (C) and tighten with ball nut (B).

4.)



Step. 4: Install max 60 watts medium base bulb(not included) into socket.

Cleaning & Care:

Clean with soft cloth and a mild detergent. Do not use abrasive cleaner.