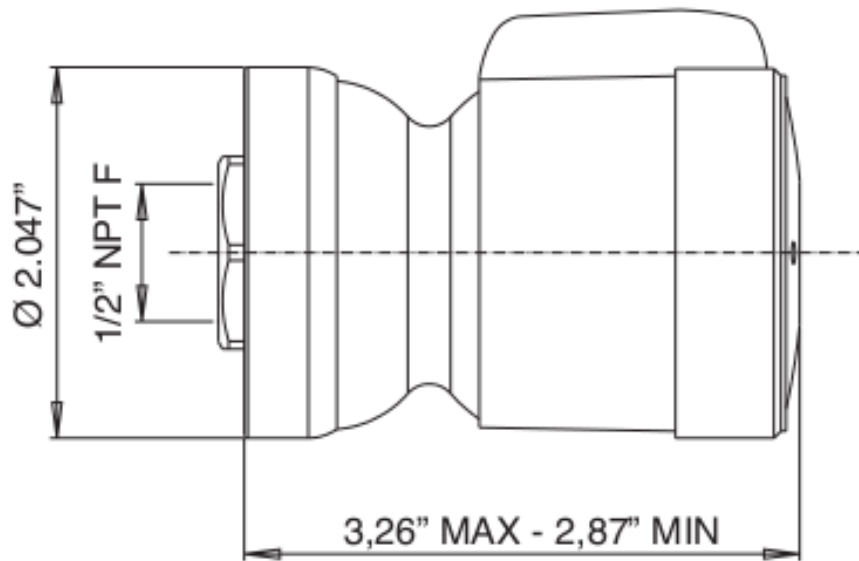




LATOSCANA  
*By Fatti*

# 50-721



Water Harmony 3 body jets  
30 degree rotation  
2.5 maximum flow rate each.

**SPECIFICATION SUBMITTAL**



**Water Harmony Series**

50-721

Traditional Styling

**STANDARDS**

- Compliant with ASME A112.18.1-B125.1
- Compliant with AB1953
- Compliant with ANSI NSF61 – Annex G
- Certified by CSA International
- Compliant with ANSI A117.1

**Finishes**

|                 | 50CR721 | 50PW721 |
|-----------------|---------|---------|
| Polished Chrome | X       |         |
| Brushed Nickel  |         | X       |

**Features**

|  | 50CR721 | 50PW721 |
|--|---------|---------|
| Solid Brass Construction                 | X       | X       |
| Meets NSF 61/9 Annex G Lead Requirements | X       | X       |
| ADA Compliant                            | X       | X       |
| Step-By-Step Installation Instructions   | X       | X       |
| Limited Lifetime Warranty                | X       | X       |
| 2.5 GPM                                  | X       | X       |

1-866-668-6690  
 1571 MAIN RD  
 NEWFIELD, NJ 08344

[www.paini-usa.com](http://www.paini-usa.com)

