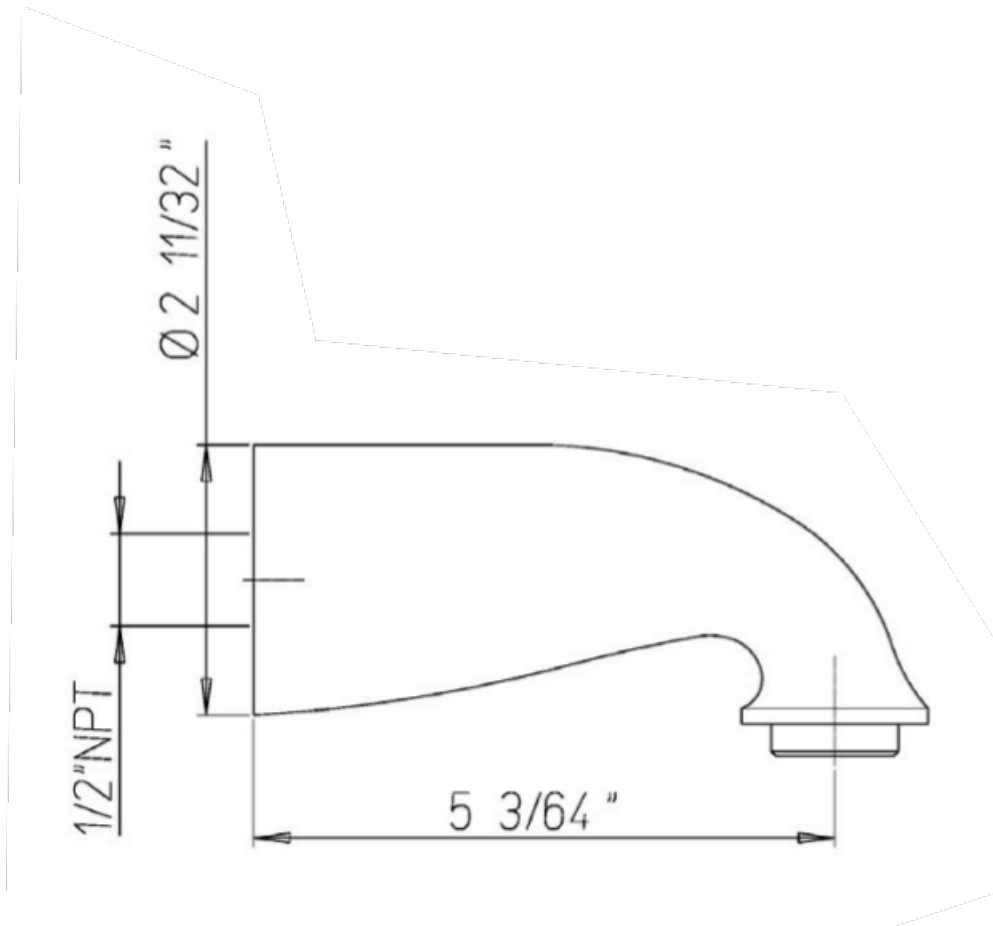


89-430



Lady tub spout
 $5 \frac{3}{64}$ " spout length
 $\frac{1}{2}$ " inlet connections



Lady Series

89-430

Transitional Styling

STANDARDS

- Compliant with ASME A112.18.1-B125.1
- Compliant with AB1953
- Compliant with ANSI NSF61 – Annex G
- Certified by CSA International
- Compliant with ANSI A117.1

Finishes	89CR430	89PW430	89OK430
Polished Chrome	X		
Brushed Nickel		X	
Satin Gold			X

Features	89CR430	89PW430	89OK430
Solid Brass Construction	X	X	X
Meets NSF61/9 Annex G Lead Requirements	X	X	X
ADA Compliant	X	X	X
Step-By-Step Installation Instructions	X	X	X
Limited Lifetime Warranty	X	X	X
2.0 GPM	X	X	X
1/2" Inlet Connections	X	X	X

1-866-668-6690
 1571 MAIN RD
 NEWFIELD, NJ 08344

www.paini-usa.com