

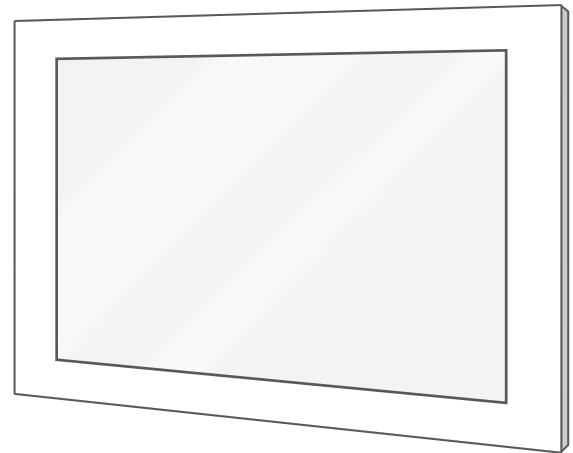
Stella 4836 Wall Mirror - Specification Sheet

Features

- Dimmable LED task lighting
- Integrated touch sensor control with memory
- Energy efficient LED lighting 5000K
- 3720 Lumens
- CRI 90+
- Integrated Defogger

Construction

- Quality polished edge mirror
- Single phase wire installation, silver backed, copper free
- Construction for surface mounting
- Includes installation hardware



Codes/Standards Applicable

- Conforms to UL Std. 962
- Cert. to CSA Std. C22.2 No.250.0-08
- ETL Intertek 5004931

Electrical System

- 120Vac, 60Hz, 84W
- Electric Current: 0.7A
- Wattage: 84W

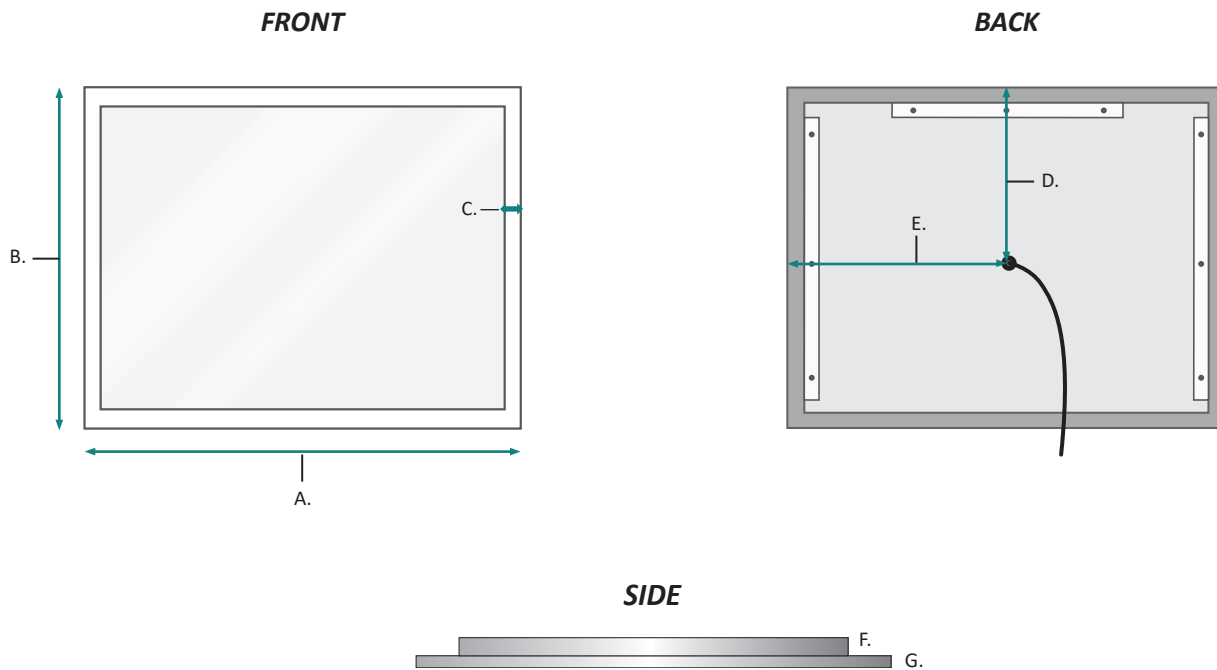
Model

- Stella 4836

Stella 4836 Wall Mirror - Specification Sheet

Dimensions

- Height: 36"
- Width: 48"
- Depth: 1-9/16"



FRONT, BACK & SIDE

MODEL	A	B	C	D	E	F	G
Stella4836	48	36	1-1/4	17-7/8	23-7/8	1-3/8	3/16