

# SVANGE

## Medicine Cabinet Installation & User Guide 42" Height





## **DANGER**

Risk of personal injury. To avoid possible electrical shock, the electricity must be turned off at the circuit breaker or fuse box before attempting any installation procedure.

Risk of personal injury. To avoid possible electrical shock, the mirror must be properly grounded.

## **GROUNDING INSTRUCTIONS**

This product must be connected to a grounded metal, permanent wiring system, or an equipment-grounding conductor must be run with the circuit conductors and connected to the equipment-grounding terminal or lead on the product.



## **WARNING**

An Electrical option cabinet must be wired to a 20 Amp GFI (Ground Fault Interrupter) protected circuit when used in bathrooms and all other locations required by the National Electric Code.

To reduce the risk of burns, fire, electric shock or injury to persons. Use this furnishing only for its intended use as described in these instructions. Do not use attachments not recommended by the manufacturer. Never drop or insert any object into any opening. Do not use outdoors.

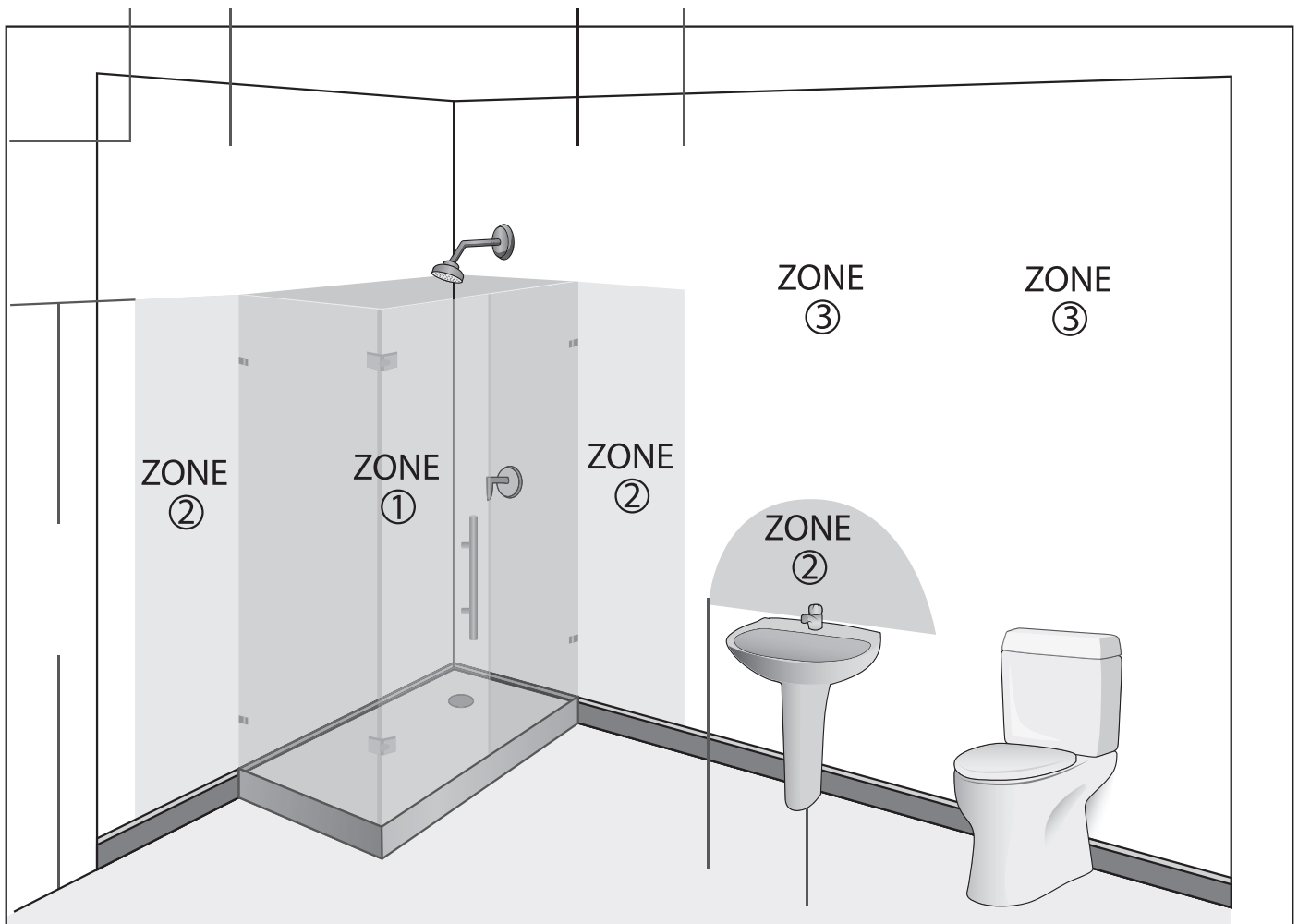


## **CAUTION**

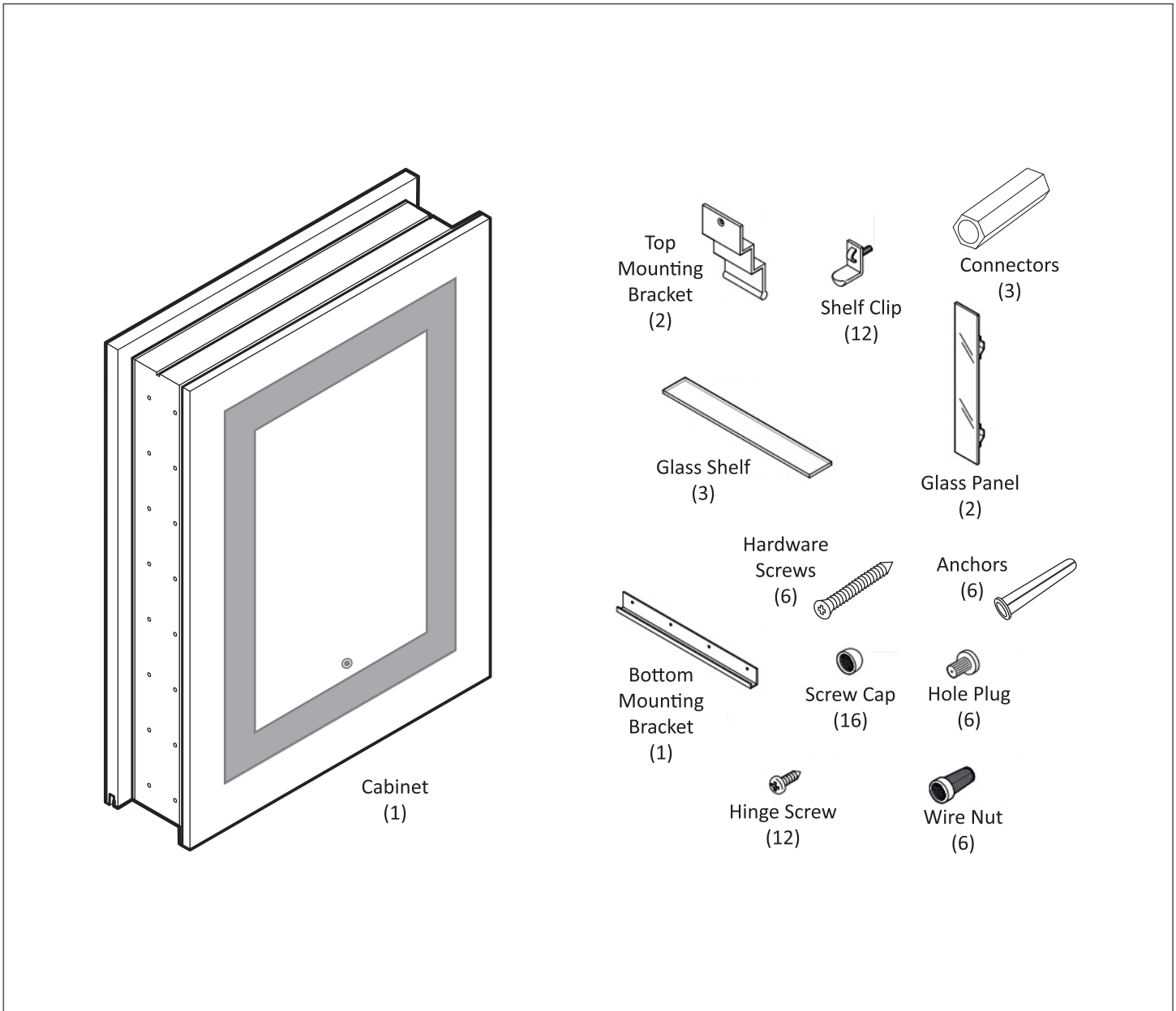
Total/Maximum shelf load 34lbs/15.4kg

## WARNING

- All fittings must be installed in accordance with current IEE wiring regulations. If in doubt, consult a qualified electrician.
- Switch off the electrical supply at the main circuit board BEFORE installation and maintenance.
- Suitable for Bathroom Zones 2, 3 and non bathroom/dry areas. See diagram below.
- NOT suitable for above baths or Zone 1 nor for installation in Saunas, Steam Rooms or Shower Cubicles.
- Suitable for indoor use only.
- DO NOT fix to damp or conductive surfaces.
- Site well away from curtains and fabrics.
- Never cover the mirror.
- Switch off after use.



## PARTS LIST



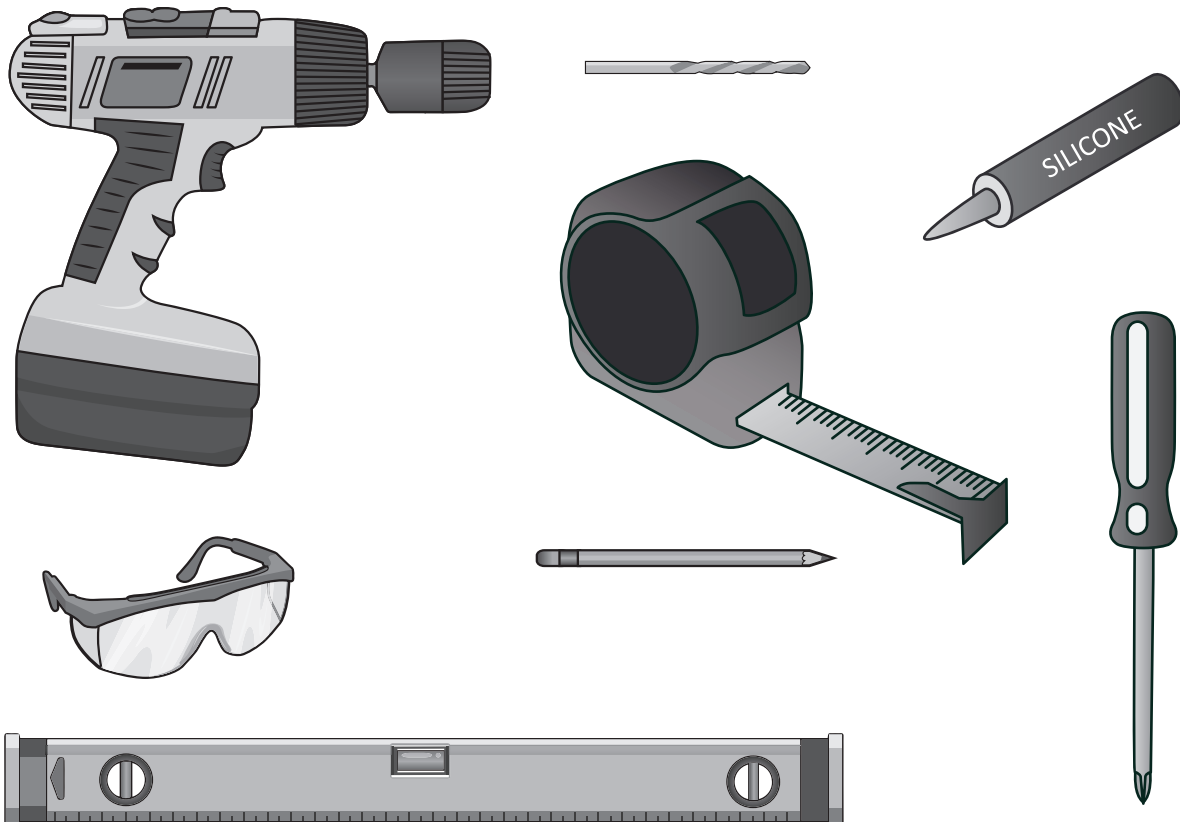
## IMPORTANT—BEFORE YOU BEGIN

- Inspect the product immediately upon receipt for transit damage or missing parts.
- Handle the product with care and protect against knocks to all sides and edges of the glass.
- Make sure that you have all the tools you need to complete the job. (SEE BELOW)
- Ensure there are no hidden pipes or cables in the wall before drilling.
- If drilling holes in ceramic tiles use a piece of masking tape on the tile to stop the drill bit from slipping.

### Aftercare Instructions

- Clean using a soft dry cloth only when turned off.
- Never use cleaning agents or abrasive materials.
- Do not allow moisture to come into contact with lamps.

## TOOLS USED



## ELECTRICAL WIRE INFORMATION

### **The Lead Contains 3 Wires:**

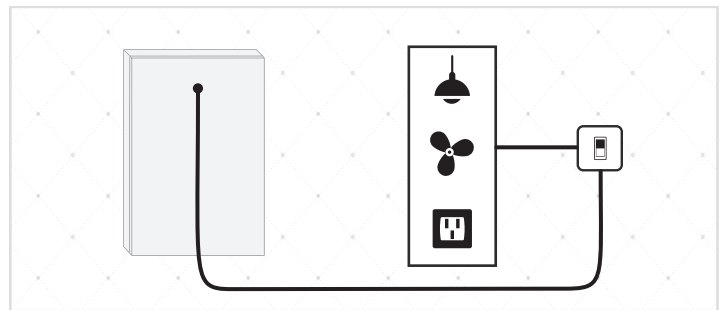
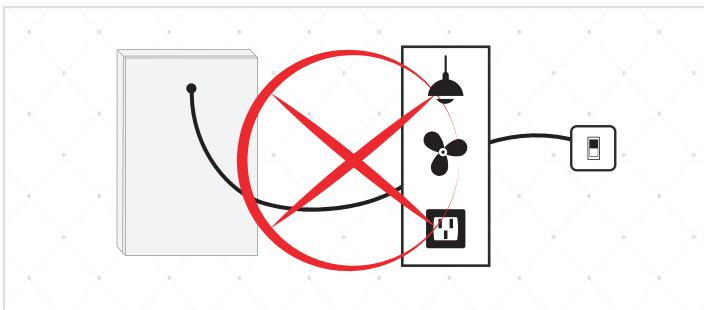
**COPPER WIRE (GREEN)** = *GROUND WIRE*...Connect to *GROUND WIRE* in your box, or to the box as a ground.

**WHITE (or BROWN)** = *NEUTRAL WIRE*...Connect to the *WHITE NEUTRAL WIRE* in your box.

**BLACK (or BLUE)** = *HOT WIRE*...Connect to the *BLACK HOT WIRE* in your box.

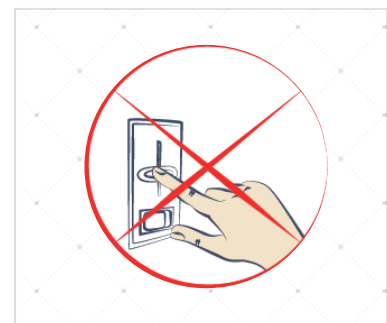
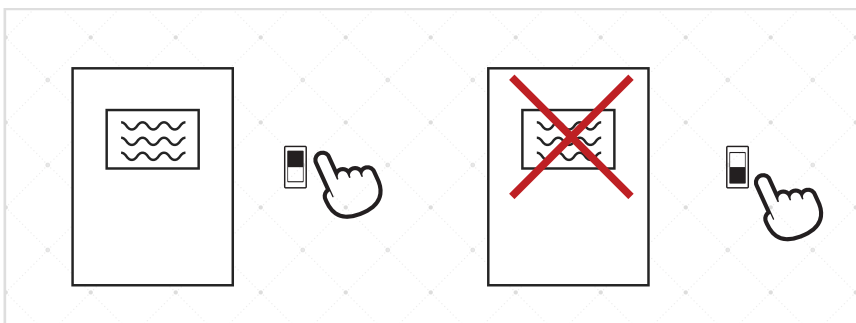
The Svange wires will be connected to your 110 Volt electric box. This should be placed in the wall, behind your Svange Cabinet. The suggested method for placement is towards the center, however there is flexibility with the lead wire.

*Please follow below illustrations*

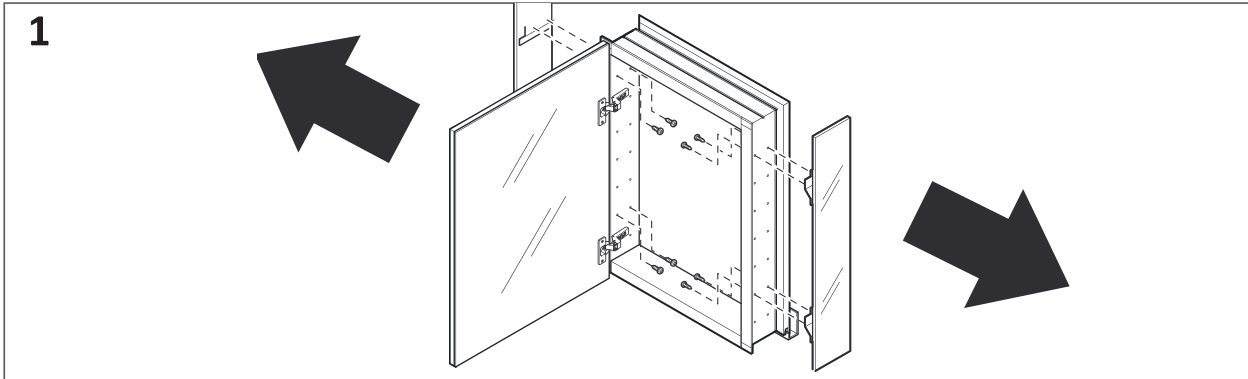


*Install optional outside switch to control the defogger  
Refer to how to use guide for more information*

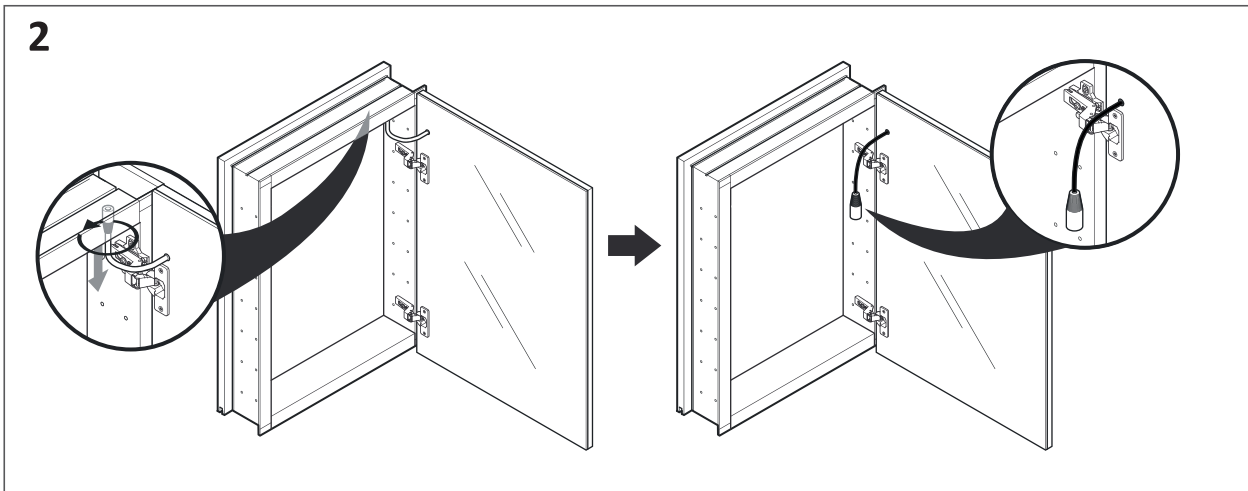
*You CANNOT use an outside  
dimmer with the mirror*



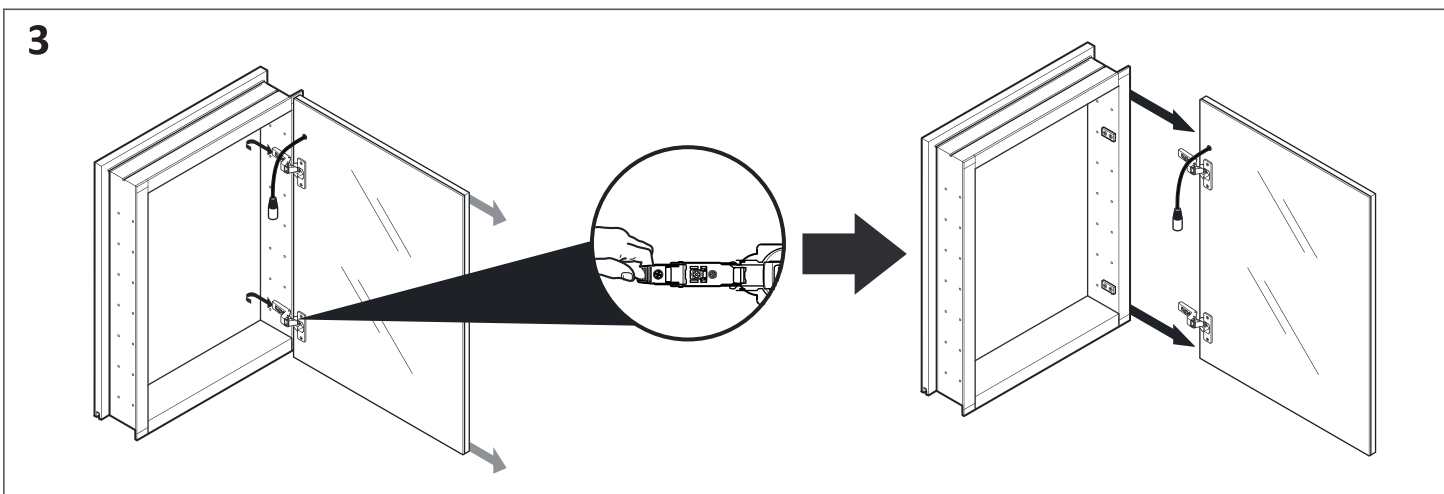
## RECESS MOUNT INSTALLATION



Carefully remove side mirror panels

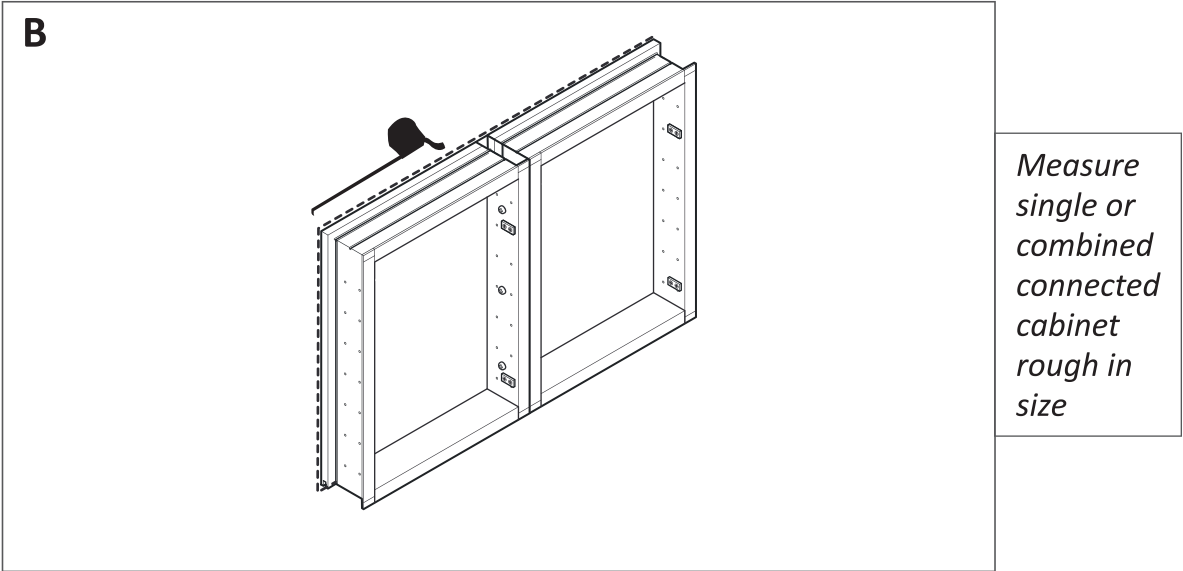
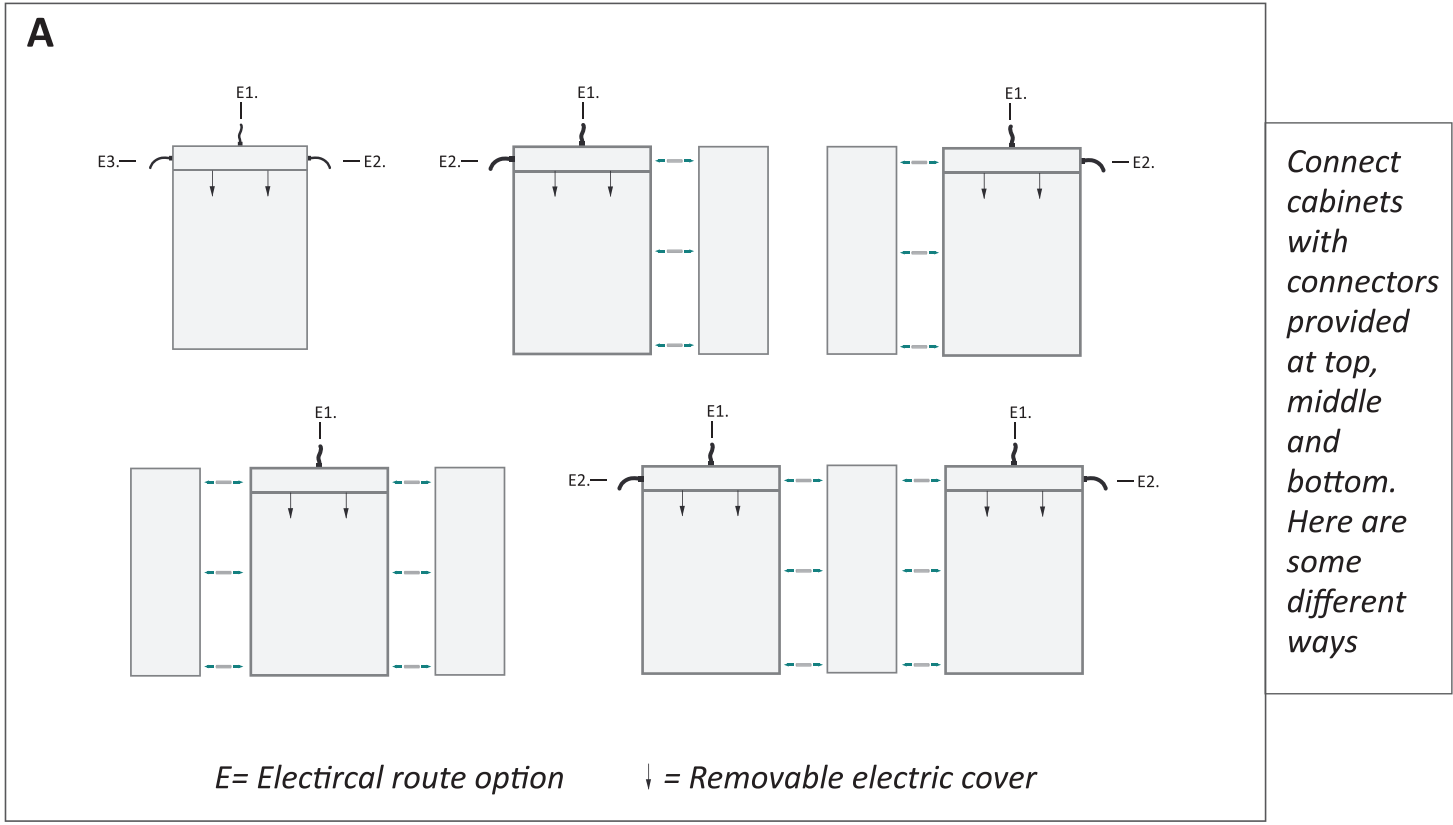


Remove door prior to mounting your cabinet. Start with unplugging the door from the cabinet.



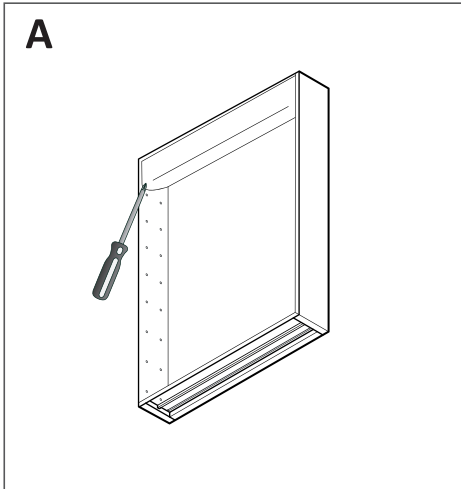
While supporting the door release (the lever under the hinge arm), slide the door off the frame.

## CONNECTING CABINETS (OPTIONAL RECESS MOUNTING)

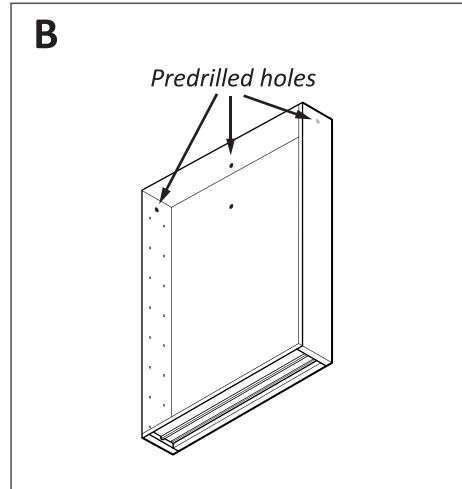




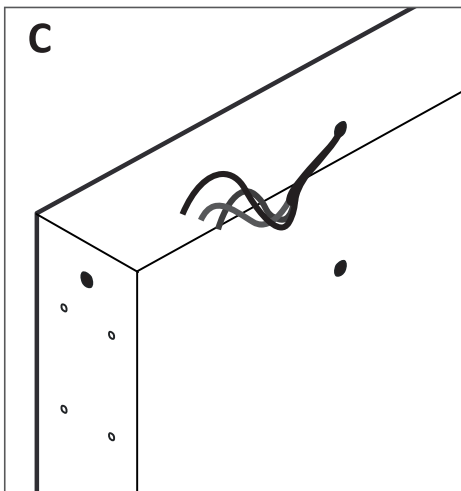
## ELECTICAL PREPARATION



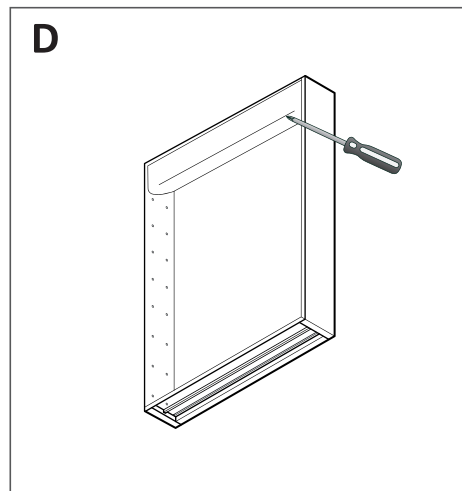
*Remove the electric box panel inside the cabinet*



*Use optional predrilled holes for electrical connection*

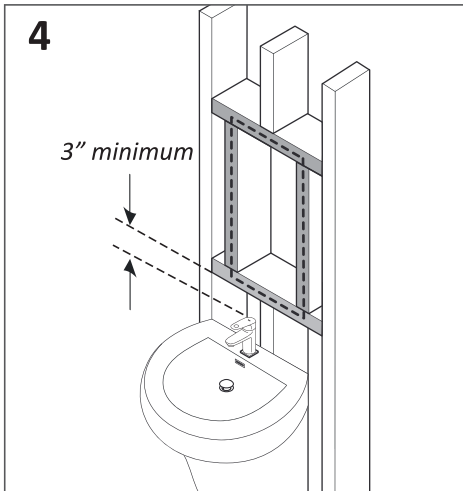


*With panel removed change the location of electrical cord according to your electrical needs*

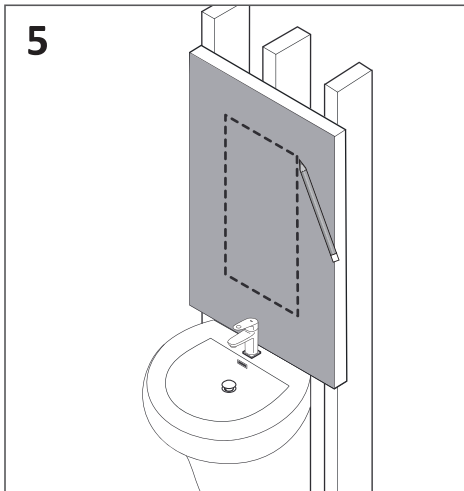


*Reattach the electrical box panel*

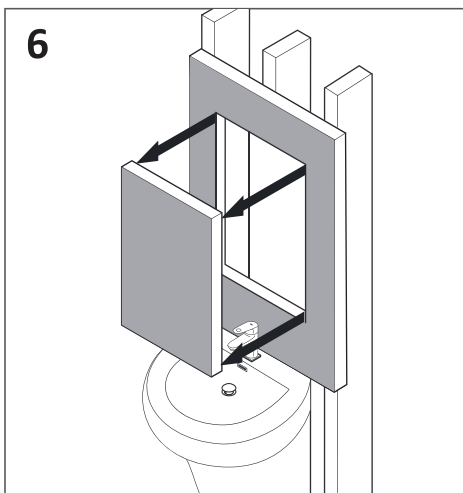
## RECESS MOUNT INSTALLATION CONTINUED



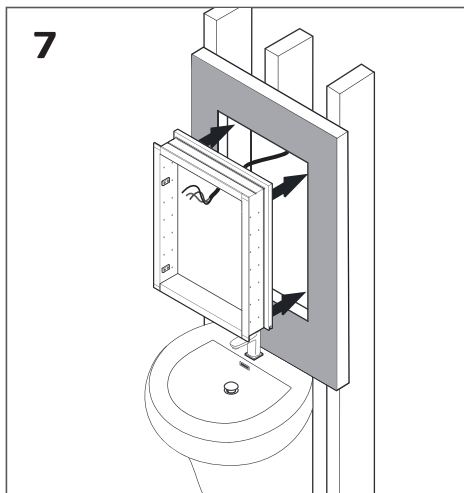
*Frame the opening for the cabinet based on the measurement*



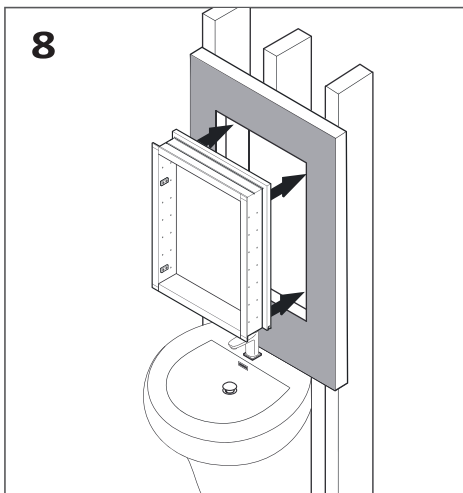
*Draw the perimeter of the cabinet on the wall*



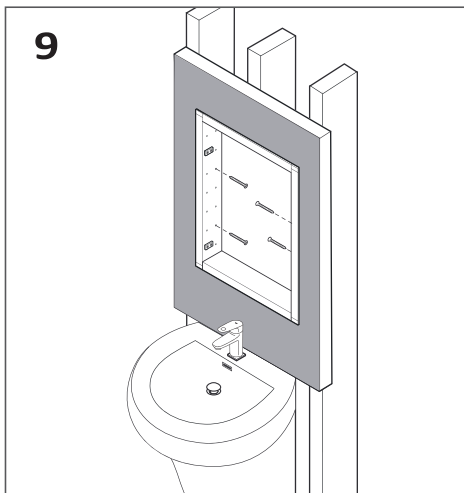
*Cut the marked perimeter with suitable tool*



*Connect electrical wires before inserting the cabinet into the opening*

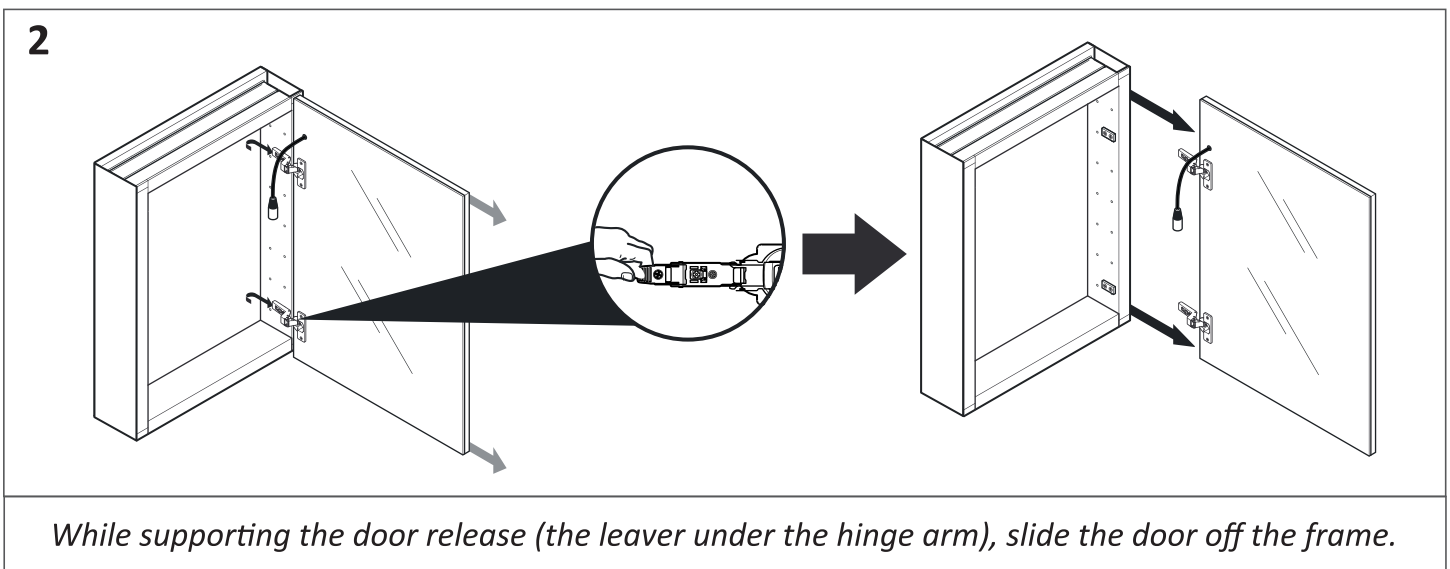
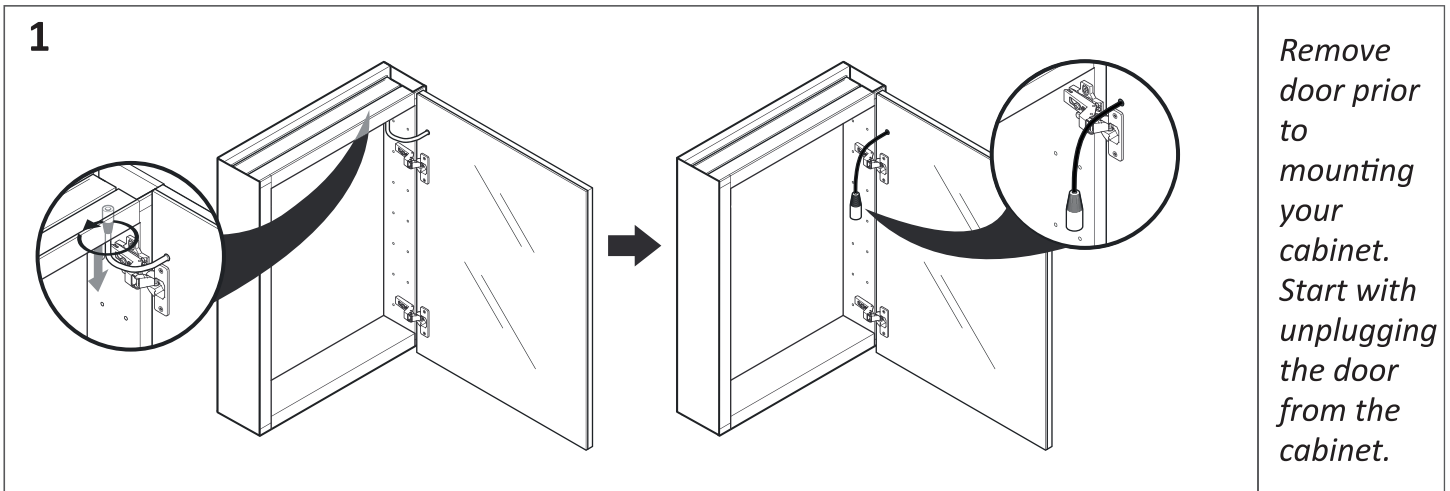


*Position cabinet in cutout opening*

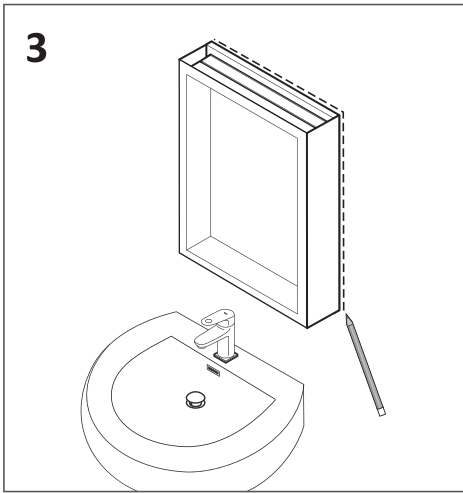


*Affix using screws into the studs*

## SURFACE MOUNT INSTALLATION

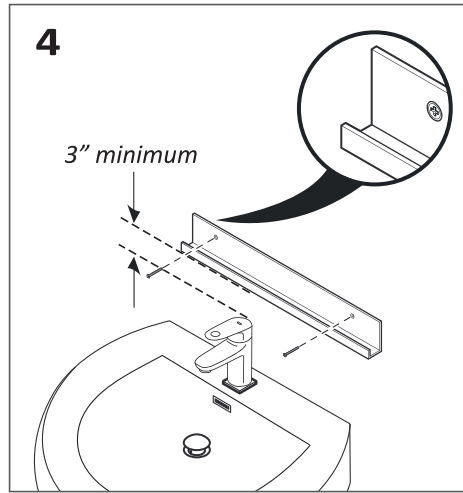


## SURFACE MOUNT INSTALLATION CONTINUED



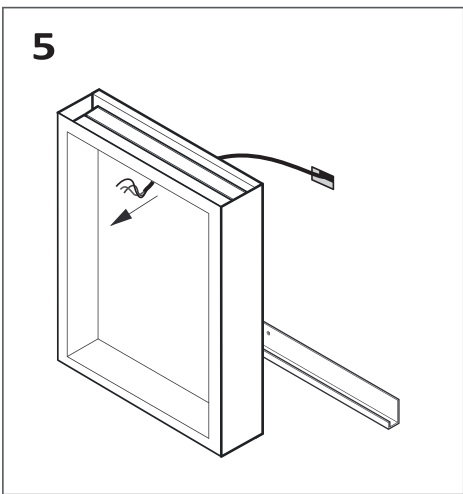
**3**

*Level and mark the cabinet's location on the wall*



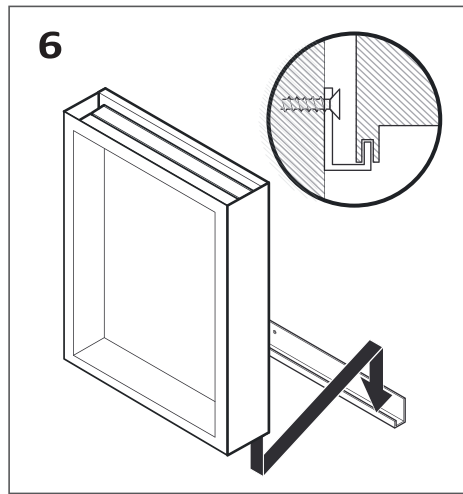
**4**

*Attach bottom bracket to wall*



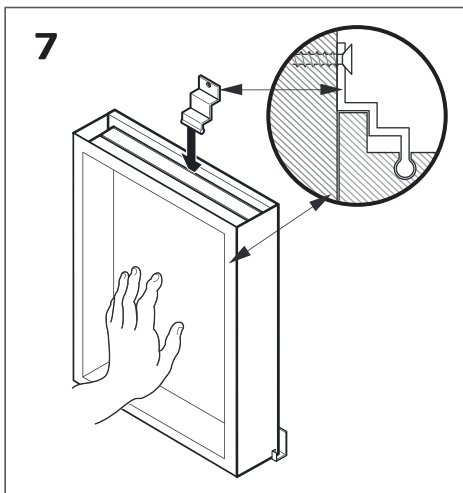
**5**

*Pull through the electrical wires*



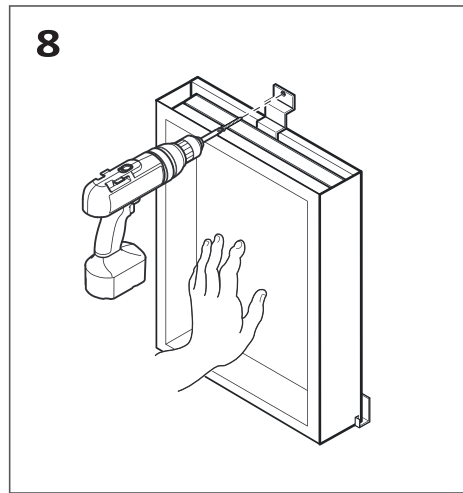
**6**

*With assistance rest the cabinet on the bottom mounting bracket and hold in place*



**7**

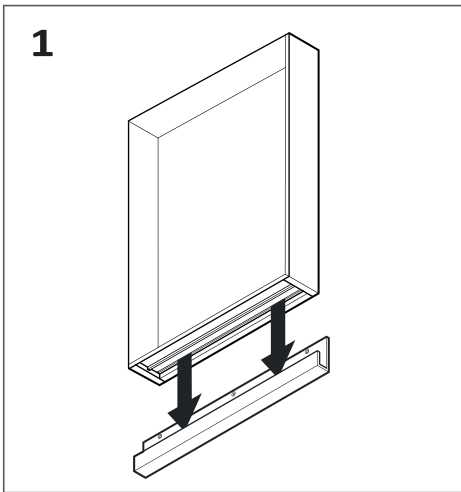
*Insert top mounting bracket into the top of the cabinet*



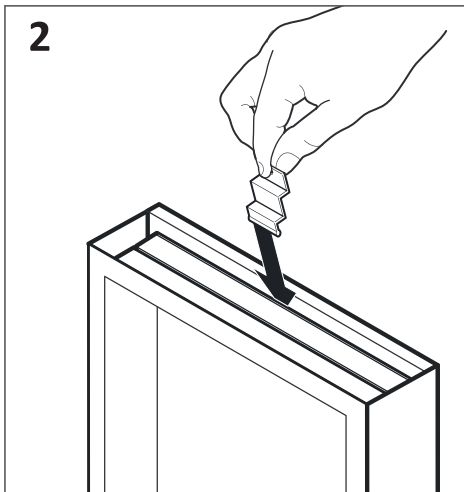
**8**

*Attach the top mounting bracket to the wall using a screw gun*

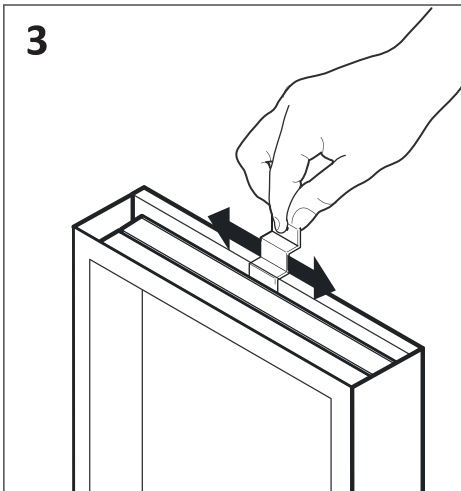
## MOUNTING BRACKETS (FOR SURFACE MOUNT INSTALLATION)



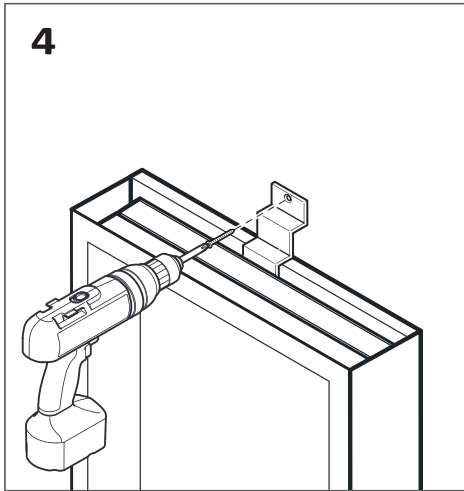
*Rest the cabinet on top of the bracket*



*Slide top bracket into the channel at the top of the cabinet*

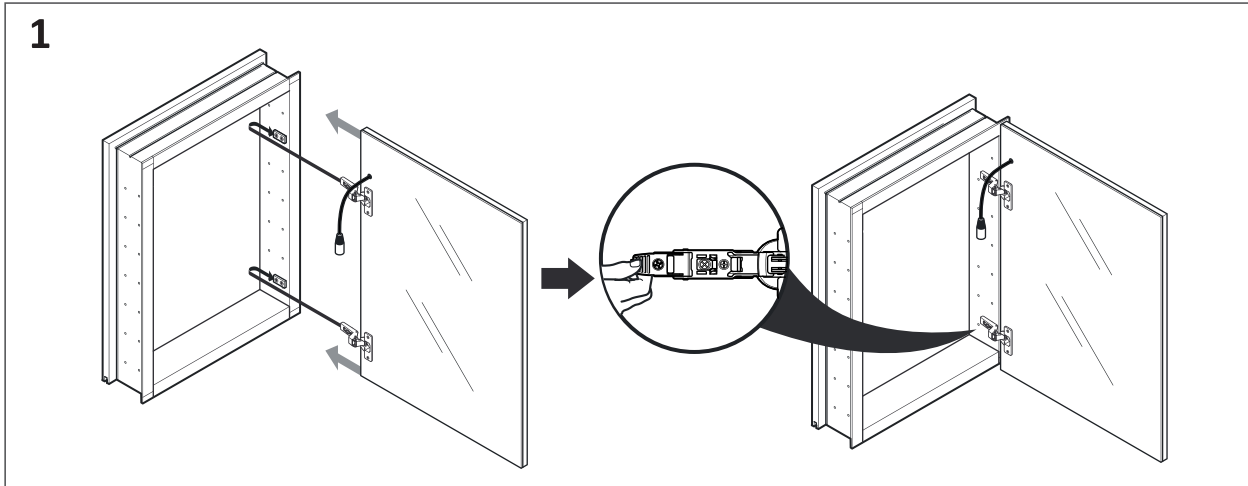


*Make sure top bracket is locked in the groove*

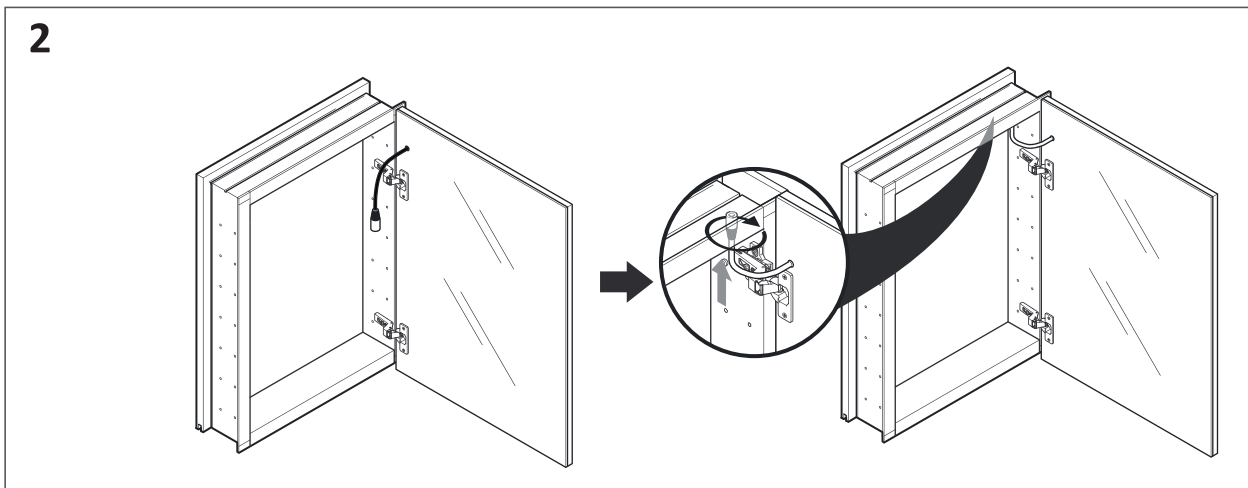


*Secure the top bracket to the wall using screw gun*

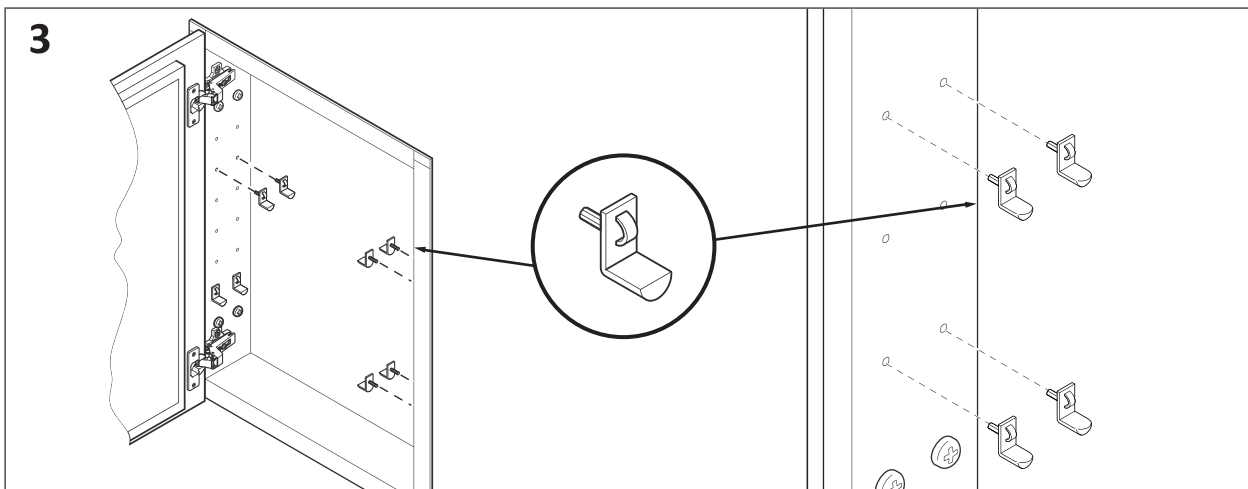
## FINAL ASSEMBLY (BOTH)



*Slide the doors into place by pinching the end of the hinge*

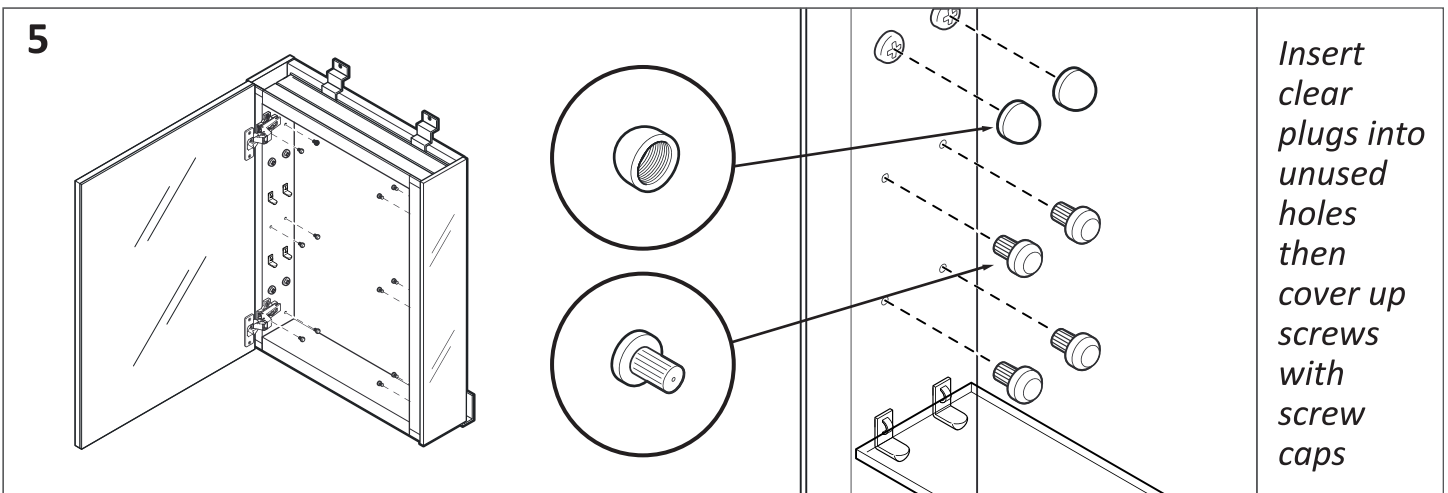
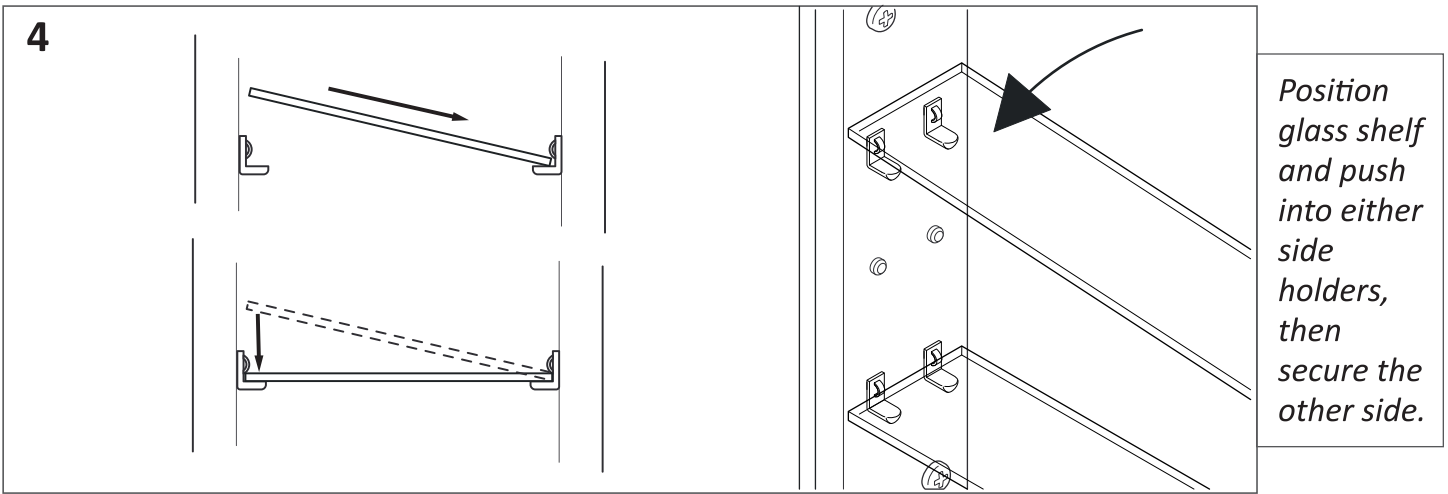


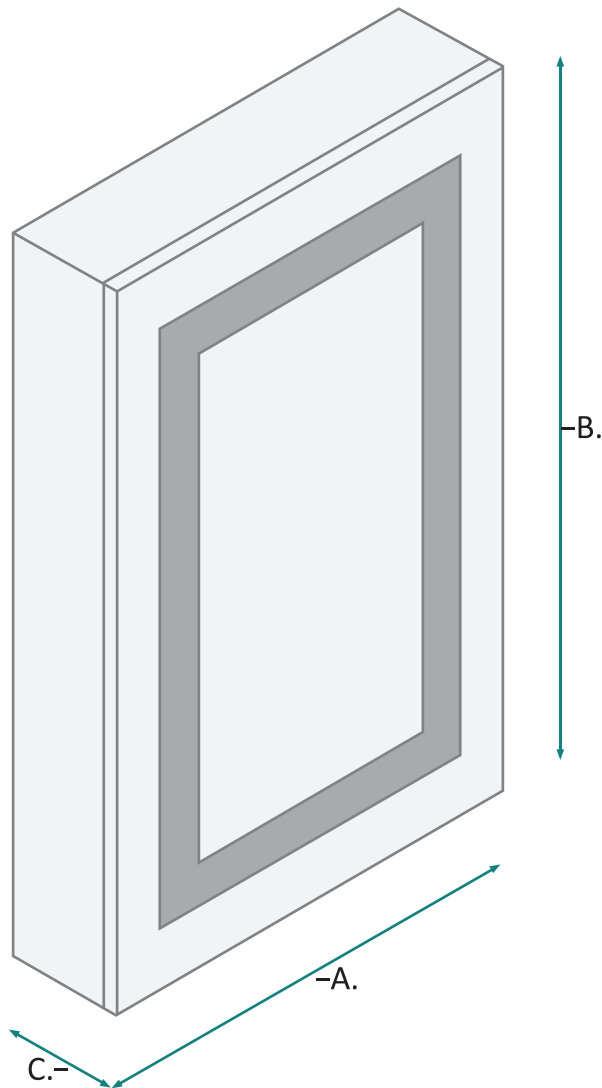
*Plug the door into the cabinet*



*Use snap-in holders into predrilled holes on side of the cabinet.*

## FINAL ASSEMBLY CONTINUED



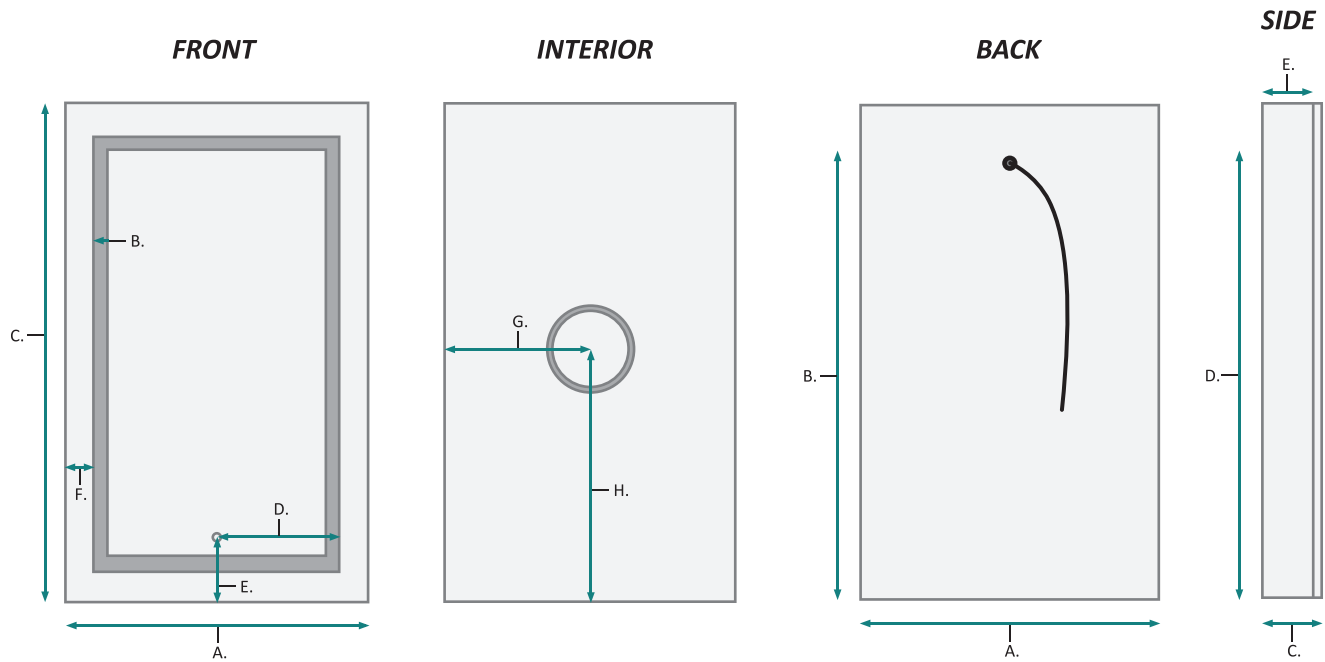


- A** - Cabinet's Width
- B** - Cabinet's Height
- C** - Cabinet's Depth

MODELS	A	B	C
SVANGE 2442L	24	42	4.75
SVANGE 2442R	24	42	4.75
SVANGE 1242L	12	42	4.75
SVANGE 1242R	12	42	4.75
SVANGE 1842L	18	42	4.75
SVANGE 1842R	18	42	4.75

*Note: All dimensions & specifications are approximate and subject to change without notice.*





**FRONT & INSIDE**

MODELS	A	B	C	D	E	F	G	H
SVANGE 2442L	24	1-1/4	42	12	6-1/4	2-1/2	11	17-1/2
SVANGE 2442R	24	1-1/4	42	12	6-1/4	2-1/2	11	17-1/2
SVANGE 1242L	24	1-1/4	42	12	6-1/4	2-1/2	N/A	N/A
SVANGE 1242R	24	1-1/4	42	12	6-1/4	2-1/2	N/A	N/A
SVANGE 1842L	24	1-1/4	42	12	6-1/4	2-1/2	N/A	N/A
SVANGE 1842R	24	1-1/4	42	12	6-1/4	2-1/2	N/A	N/A

**BACK & SIDE**

MODELS	A	B	C	D	E	ELECTRIC CURRENT	WATTAGES
SVANGE 2442L	23	41-1/2	4-3/4	42	3-1/2	0.45A	55W
SVANGE 2442R	23	41-1/2	4-3/4	42	3-1/2	0.45A	55W
SVANGE 1242L	23	41-1/2	4-3/4	42	3-1/2	N/A	N/A
SVANGE 1242R	23	41-1/2	4-3/4	42	3-1/2	N/A	N/A
SVANGE 1842L	23	41-1/2	4-3/4	42	3-1/2	N/A	N/A
SVANGE 1842R	23	41-1/2	4-3/4	42	3-1/2	N/A	N/A

## USE AND MAINTENANCE

- The interior is constructed of mirrored glass and aluminum. Use only a damp cloth to clean. Ammonia or vinegar-based cleaners can damage mirrors.
- When cleaning, spray the cloth, not the mirror, or surrounding surfaces. Do not use abrasive cleansers on any part of the light fixture.

## LIMITED LIFETIME WARRANTY

Subject to the terms and conditions specified herein, Krugg Reflections USA LLC, (“KRUGG”) hereby extends a limited lifetime warranty (this “Limited Warranty”) to original Purchasers (as defined below) of the Krugg LED Medicine Cabinet (the “Product”) with respect to certain specified components of the Product. Specifically, KRUGG, by this Limited Warranty, warrants that, for the durations specified herein, Products purchased directly from KRUGG or KRUGG’s authorized retailers will be free of defects in the material and workmanship of the Product’s electrical components, glass, mirrors, and certain mechanical components, which defects would cause the Product to substantially fail to function when subject to normal use.

## ONE-YEAR LIMITED COMMERCIAL WARRANTY

Subject to the terms and conditions specified herein, Krugg Reflections USA LLC, (“KRUGG”) hereby extends a limited one-year warranty (this “Limited Warranty”) to Commercial Purchasers (as defined below) of the Krugg LED Medicine Cabinet (the “Product”) with respect to certain specified structural components of the Product. Specifically, KRUGG, by this Limited Warranty, warrants that, for a one-year period, Products purchased directly from KRUGG or KRUGG’s authorized retailers will be free of defects in the material and workmanship of the Product’s electrical components, glass, mirrors, and certain mechanical components, which defects would cause the Product to substantially fail to function when subject to normal use.

Additional Warranty Information can be found @ <http://www.kruggusa.com>  
For any installation and warranty related issues, contact us at [info@kruggusa.com](mailto:info@kruggusa.com)