

GVR-210-RE

Gold Glass Vessel Sink

Sink Dimensions

Dimensions: 21 7/8" x 13 7/8" x 4"

Features

- Solid Tempered Glass
- Vessel Sink
- 15mm Thickness
- 1 3/4" Drain Hole Size
- Without Overflow

CODES/STANDARDS:

Product Certification

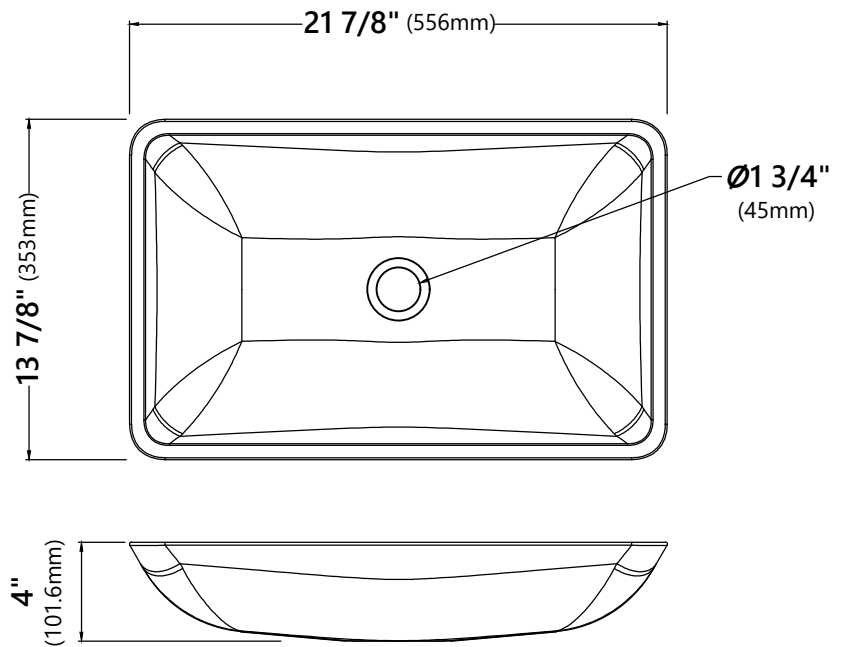
cUPC certified, MASS Approved, ADA compliant



Warranty

Kraus Limited Lifetime Warranty

see website for details www.kraususa.com



KVF-1200

Single Lever Vessel Bathroom Faucet

Faucet Dimensions

- Overall Height: 12 1/8"
- Overall Width: 2 1/4"
- Spout Height: 8 1/8"
- Spout Reach: 5 1/8"

Features

- Brass Body
- Lead Free Brass Waterway
- Flow Rate 1.2gpm (4.5L/min) @ 60 psi
- 25mm Ceramic Cartridge
- 29.5" Flexible Nylon Integrated Waterlines
- TPI of aerator in the Spout - M18.5*1
- Soft-touch Silicone Aerator
- Dome Shaped Screen Washer
- Ø1 1/4" Shank

Accessories Included

- Pop-Up Drain
- Hex Wrench
- Aerator Key

Available Finishes

- Chrome
- Matte Black
- Spot Free Brushed Nickel
- Oil Rubbed Bronze

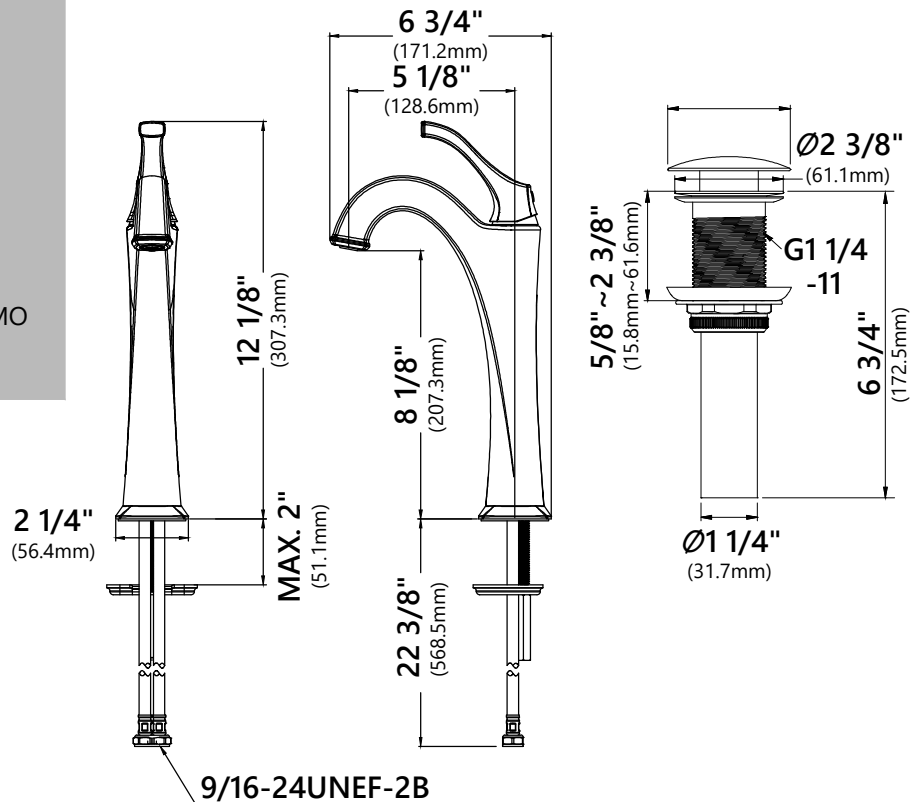
CODES/STANDARDS:

Product Certification

cUPC (ASME A112.18.1/CSA B125.1)
 NSF/ANSI Standard 61 and 372 certified by IAPMO
 AB1953, MASS, DOE, CEC, ADA

Warranty

Kraus Limited Lifetime Warranty
 see website for details www.kraususa.com



MR-1 Mounting Ring

Mounting Ring Dimensions

Overall Dimensions: $\varnothing 3 \frac{1}{8}''$ x $\frac{3}{8}''$

Features

- Brass Construction
- Designed to Use with Above Counter Vessel Sinks without Overflow
- Fits Standard Drain Assembly without Overflow

Available Finishes

- Chrome
- Gold
- Oil Rubbed Bronze
- Satin Nickel



Warranty

Kraus Limited Lifetime Warranty

see website for details www.kraususa.com

