



**Northland™**  
Under-Mount Bar Sink  
**K-6589-U**

**Features**

- 15-inch minimum base cabinet width.
- Single bowl.
- 7-inch depth.
- No faucet holes.
- Includes under-mount installation kit for simplified installation.

**Material**

- KOHLER® enameled cast iron.

**Installation**

- Under-mount

**Recommended Products/Accessories**

- K-9000 P-Trap
- K-8801 Sink Strainer
- K-8799 Sink Strainer

**Included Components**

- Product consists of:  
52047 Clamp Accessory Pack, 4 Ea.



**ADA**

**Codes/Standards**

- ASME A112.19.1/CSA B45.2
- ADA
- ICC/ANSI A117.1

**KOHLER® Enameled Cast Iron Kitchen Sink Lifetime Limited Warranty**

See website for detailed warranty information.

**Available Colors/Finishes**

*Color tiles intended for reference only.*

Color	Code	Description
	0	White
	FF	Sea Salt™
	96	Biscuit
	47	Almond
	FD	Cane Sugar™
	NY	Dune
	95	Ice™ Grey
	G9	Sandbar
	33	Mexican Sand™
	K4	Cashmere
	FT	Basalt
	58	Thunder™ Grey
	20	Suede
	KA	Black 'n Tan
	FP	Caviar

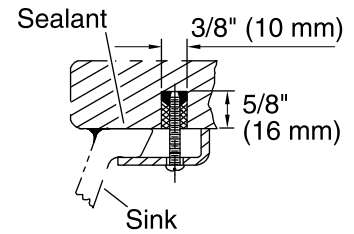
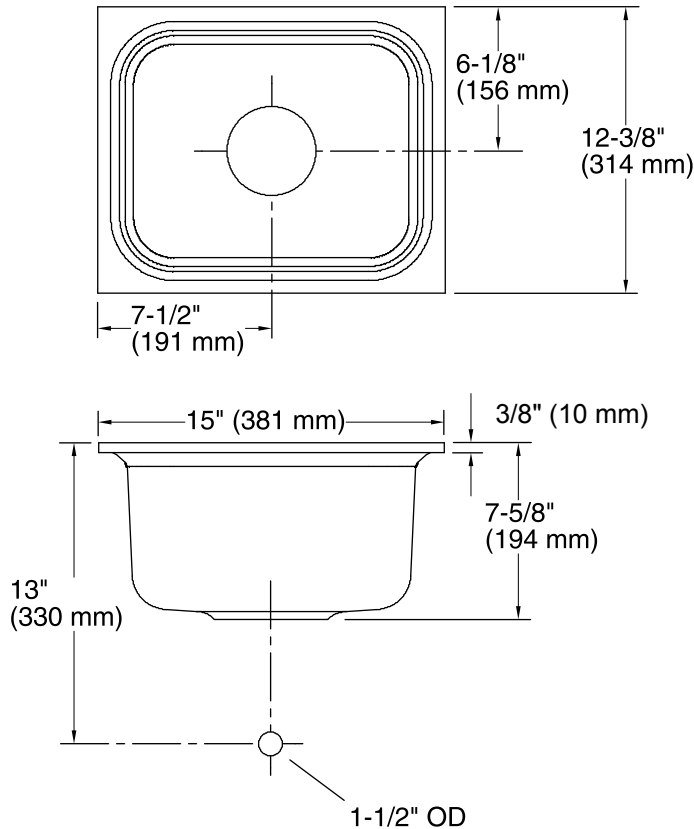
1-800-4KOHLER (1-800-456-4537)

Kohler Co. reserves the right to make revisions without notice to product specifications.

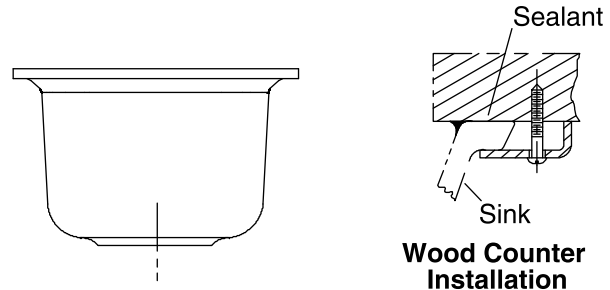
For the most current Specification Sheet, go to [www.kohler.com](http://www.kohler.com).

9-7-2019 12:20 - US/CA/MX





**Marble Slab  
Installation**



**Wood Counter  
Installation**

**Note:** Waterproof the unprotected overhang area on the underside of a wood counter.

### Technical Information

All product dimensions are nominal.

Bowl configuration:	Single
Installation:	Under-mount
Min. base cabinet width:	15" (381 mm)
Bowl area:	Length: 12" (305 mm) Width: 9-1/4" (235 mm) Bowl depth: 7" (178 mm)
Drain hole:	3-7/8" (98 mm)
Template:	1086707-7, required, included

### Notes

Install this product according to the installation instructions.

Supplied bowl clamp assemblies require 1" (25 mm) minimum countertop thickness. Installer must supply anchors for thinner countertops.

For multiple bowl under-mount installations, a minimum distance of 3-3/8" (86 mm) is required between bowls. Countertop supplier to determine required support.

ADA compliant when installed to the specific requirements of these regulations.

ADA permits a parallel approach to wet bars.