

### Features

- Metal construction.
- For 4" (102 mm) centers.
- 4-7/16" (112 mm) spout reach.
- Plastic pop-up drain with lift rod and tailpiece.
- Stationary spout.
- ADA compliant lever handles.
- Red/blue indexing.
- Complements the Coralais Suite.
- 1.2 gal/min (4.5 l/min) maximum flow rate [max at 60 psi (4.14 bar)].

### Optional Accessories

1160594 Large Spray Aerator 0.35 gpm (1.3 l/min)



ADA

### Codes/Standards

ASME A112.18.1/CSA B125.1

NSF 61

NSF 372

All applicable US Federal and State material regulations

DOE - Energy Policy Act 1992

EPA WaterSense®

California Energy Commission (CEC)

ADA

ICC/ANSI A117.1

### KOHLER® Faucet Lifetime Limited Warranty

See website for detailed warranty information.

### Available Color/Finishes

*Color tiles intended for reference only.*

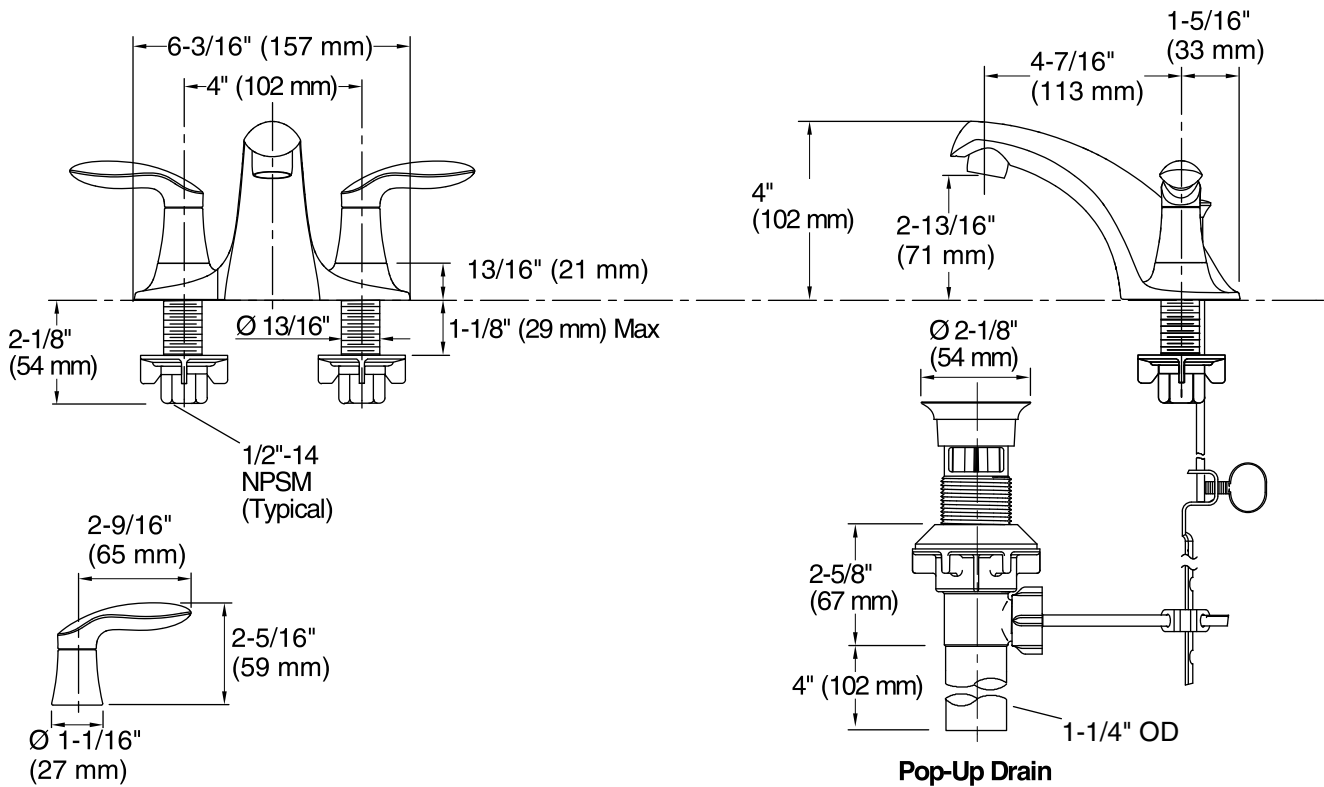
Color	Code	Description
-------	------	-------------



CP Polished Chrome



G Brushed Chrome



### Technical Information

All product dimensions are nominal.

Valve body: Machined Brass

Drain with overflow: YES

Drain tailpiece included: YES

included:

### Spout:

Spout reach: 4-7/16" (112 mm)

Handle clearance: 2-9/16" (65 mm)

### Faucet:

Flow rate: 1.2 gal/min (4.5 l/min)

Pressure: 60 psi (4.1 bar)

### Notes

Install this product according to the installation guide.

ADA compliant when installed to the specific requirements of these regulations.