

Features

- Complements Purist® Suite

Codes/Standards Applicable

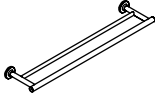
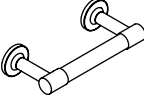

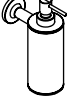
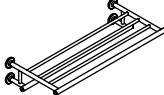
Specified model meets or exceeds the following:

- None applicable

Colors/Finishes

- CP: Polished Chrome
- Other: Refer to Price Book for additional colors/finishes

Specified Model

Model/Description	
K-14375 Double towel bar <input type="checkbox"/> CP <input type="checkbox"/> Other _____	
K-14377 Toilet tissue holder <input type="checkbox"/> CP <input type="checkbox"/> Other _____	
K-14379 Soap dispenser <input type="checkbox"/> CP <input type="checkbox"/> Other _____	
K-14380 Soap dispenser <input type="checkbox"/> CP <input type="checkbox"/> Other _____	
K-14381 Towel shelf <input type="checkbox"/> CP <input type="checkbox"/> Other _____	

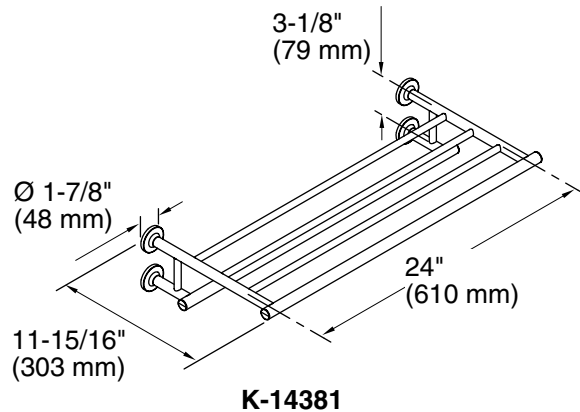
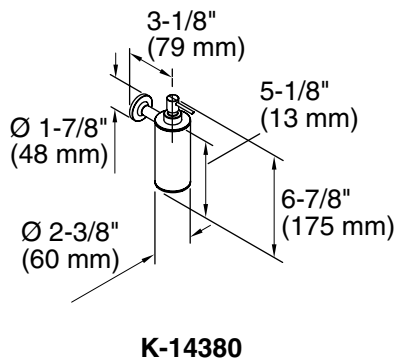
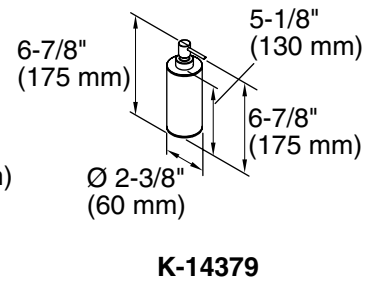
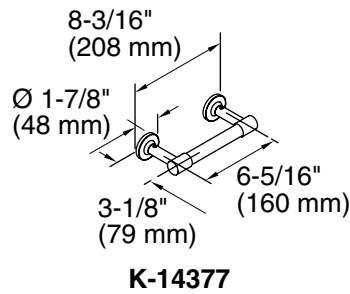
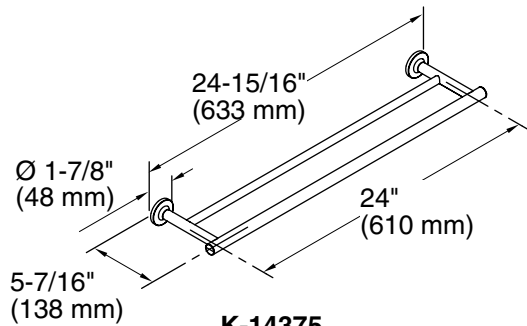
Product Specification

Product shall complement the Purist Suite. Product shall be Kohler Model K-____-____.

PURIST®

Installation Notes

Install this product according to the installation guide.



Product Diagram