

FEATURES

- Solid metal construction for durability and reliability
- Pressure-balancing technology maintains water temperature within +/- 3 degrees Fahrenheit
- High-temperature limit stop allows you to preset a comfortable maximum temperature to eliminate scalding
- Complements the Script collection

CODES/STANDARDS APPLICABLE

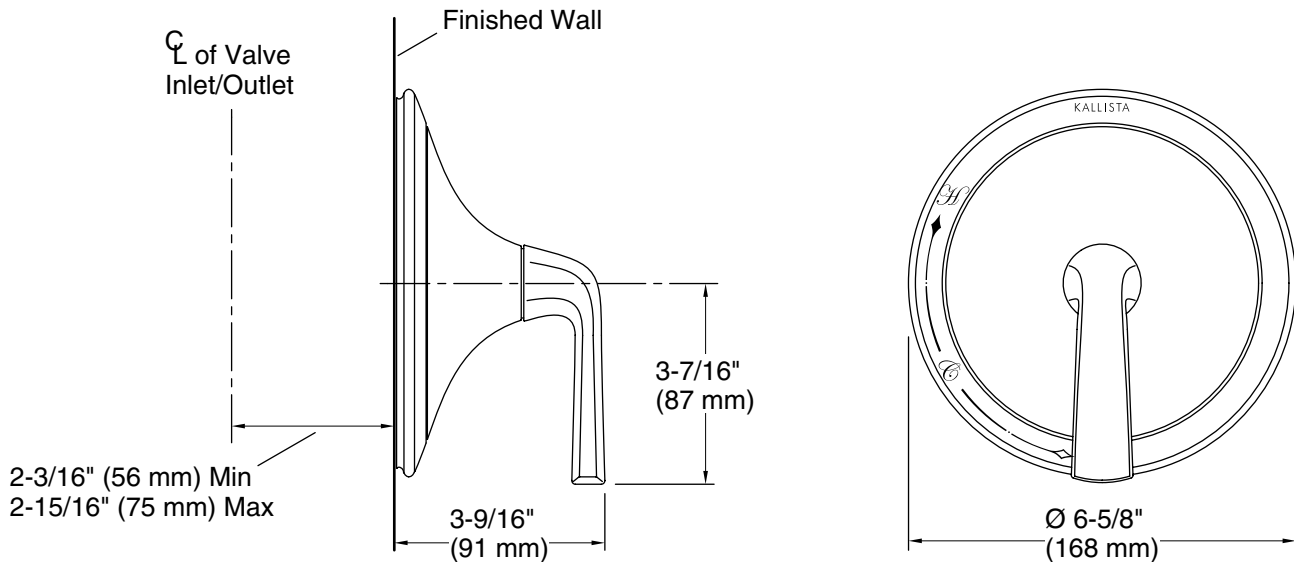
Specified model meets or exceeds the following:

- ASME A112.18.1/CSA B125.1
- ICC/ANSI A117.1
- ADA*
- OBC*
- CSA B651*

* Compliant when installed to the specific requirement of this regulation

P25018

| | | |
|------------|-----------------|------------|
| ADA | CSA B651 | OBC |
|------------|-----------------|------------|



| SPECIFIED MODEL | | | | |
|--------------------------------|---|---|---|---|
| Model | Description | Finishes | | |
| P25018-LV | Script Pressure Balance Valve Trim | <input type="checkbox"/> CP Polished Chrome | <input type="checkbox"/> AD Nickel Silver | <input type="checkbox"/> BCH Blush Bronze |
| Required Rough-in (1 required) | | | | |
| P19310-00 | Pressure Balance Rough-in | <input type="checkbox"/> NA | | |
| P19310-US | Pressure Balance Valve, with stops - PEX inlet | <input type="checkbox"/> NA | | |
| P19310-WS | Pressure Balance Rough-in with Stops | <input type="checkbox"/> NA | | |
| P29500-00 | Pressure Balance Rough-in & Thermostatic Cartridge | <input type="checkbox"/> NA | | |
| P29500-WS | Pressure Balance Rough-in & Thermostatic Cartridge with Stops | <input type="checkbox"/> NA | | |

We reserve the right to make revisions without notice in the design of products or in packaging unless this right has specifically been waived at the time the order is accepted.