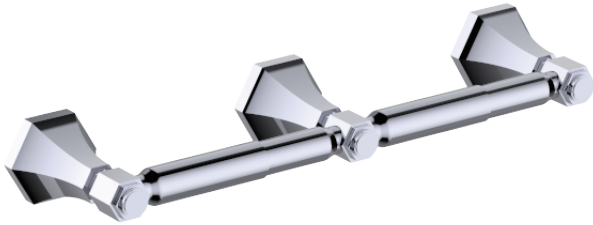


PISA COLLECTION
DOUBLE DISSUE
HOLDER
342155



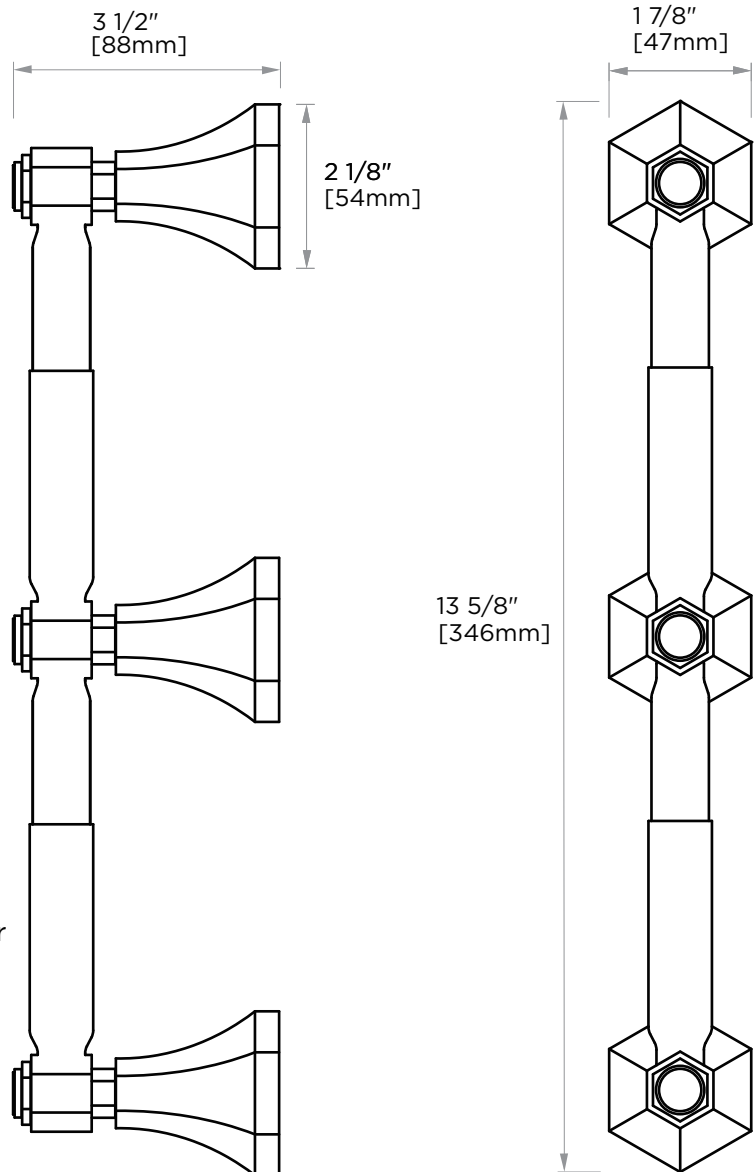
PRODUCT NAME: DOUBLE DISSUE HOLDER
PRODUCT CODE: 342155
MATERIAL: All-brass construction
KEY FEATURES: Classic Art Deco take on a traditional design

STOCKED FINISHES:

- Polished Chrome (99)
- Brushed Nickel (81)
- Polished Nickel (68)

SPECIAL FINISHES AVAILABLE: 26 options available. Please see our website for full list samples

WARRANTY:
Lifetime Limited (Residential Use)
One Year (Commercial Use)



NOTE: Dimensions and specifications are subject to change without notice.