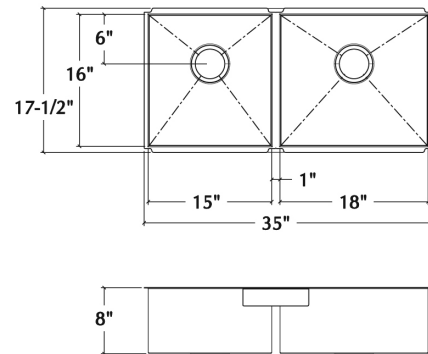


003681 | URBANEDGE®

UNDERMOUNT STAINLESS STEEL KITCHEN SINK



Specifications

| | |
|---------------------|--------------------------------------|
| Model | 003681 |
| Collection | UrbanEdge® |
| Bowls dimensions | L 15" × 16" × 8" R 18" × 16" × 8" |
| Overall dimensions | 35 1/2" × 17 1/2" × 8" |
| Recommended cabinet | 39" |

Recommended accessories

| | |
|--------------------|--------|
| Drain | 100082 |
| Grid (coming soon) | 200904 |
| Grid (coming soon) | 200905 |
| Colander | 205223 |
| Bin | 205226 |
| Tray | 205232 |
| Cutting board | 210063 |
| Drying Rack | 215206 |

Warranty

Home Refinements offers a LIMITED LIFETIME WARRANTY on the fixed components of its stainless steel sinks against defects of material and workmanship. For further details on our product warranty, please refer to our catalog or Web site.

Features

- Handcrafted in Canada
- Commercial quality stainless steel - 16 ga thickness
- Corrosion resistant material - 304 series (18/10)
- Environmentally friendly product, 100% recyclable
- Elegant no. 4 brushed finish that matches the appliances
- Highly efficient sound deadening pads
- Practical flat sink bottom and straight bowl sides that maximize available space in the bowl
- Stylish and functional bowl bottom grooves that facilitate water drainage
- Rear 3-1/2" drain placement
- Mounting hardware and cutout template included
- Certifications: ASME A112.19.3, CSA B45.0, CSA B45.4