



Columbia Vanity Cabinets: 388-V31.5-AGR 388-V31.5-CFO 388-V31.5-GW 388-V31.5-LTO

Assembly / Installation Instructions for both wall mounting (floating) and freestanding with metal base

Columbia Metal Bases: 388-B31.5-BNK 388-B31.5-MBK 388-B31.5-RGD

Important Notes:

This vanity cabinet may be used freestanding, or may be mounted to a wall (floating).

If you are using this cabinet as a freestanding unit with the stainless steel base, please follow the instructions on pages 06 - 10 *.

If you are using this cabinet as a wall mounted (floating) unit, please refer to pages 01 - 05 *.

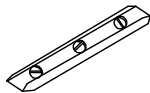
Door Pulls:

Three color of door pull (BNK Brushed Nickel) / (MBK Matte Black) / (RGD Radiant Gold) are included with the cabinet, so you may choose the color which best suits your room.

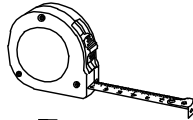
Wood Shelf:

For more convenient shipping, the wood shelf used on the optional metal base, is included with the cabinet. If you are wall mounting your cabinet, the shelf is an extra item and may be used for other projects.

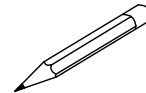
Materials for Installation:



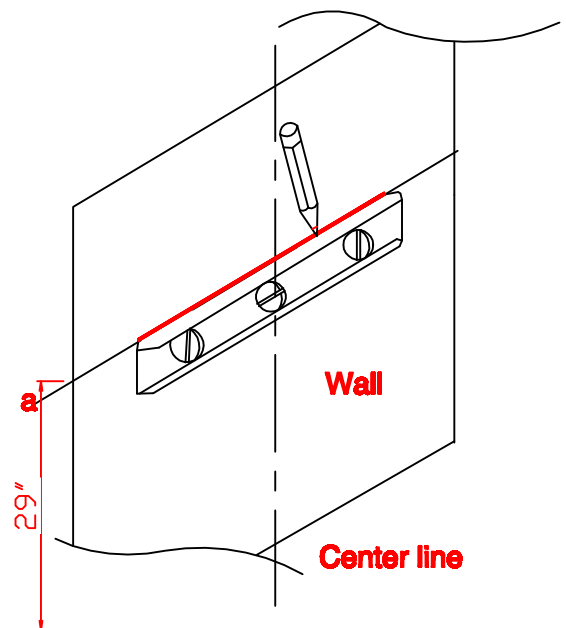
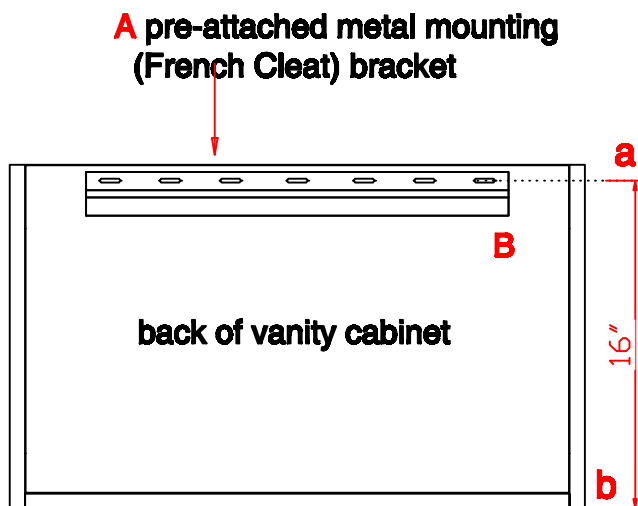
Level



Tape Measuring



Pencil



Step 1 Notes:

The metal mounting bracket has been pre-installed to the backside of the cabinet 16" from the bottom of the cabinet.

Step 2 Notes:

Draw a horizontal line on the wall at your desired height. For this cabinet, most people use a height of 29"

* For your safety and to achieve the best possible installation of this vanity cabinet, James Martin Vanities always recommends you consult with a professional contractor. Two people are required for the assembly and installation of this vanity cabinet.



Columbia Vanity Cabinets: 388-V31.5-AGR 388-V31.5-CFO 388-V31.5-GW 388-V31.5-LTO

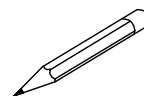
Assembly / Installation Instructions for both wall mounting (floating) and freestanding with metal base

Columbia Metal Bases: 388-B31.5-BNK 388-B31.5-MBK 388-B31.5-RGD

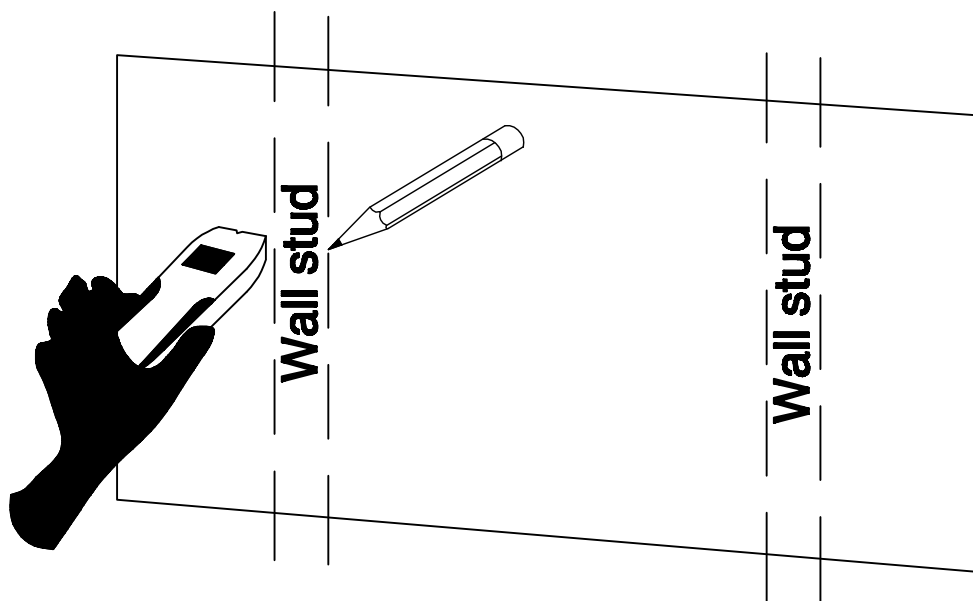
**Materials
for
Installation:**



Stud Finder



Pencil



Step 3 Notes:

Locate and mark the position of the wall's interior studs to which you will fasten the metal bracket.

We recommend the use of an electronic stud finder to locate the studs.

(Alternately, you may find studs by listening for a solid sound as you knock on the wall)

Special Note 1:

If the studs in your bathroom do not line up to the mounting location for your vanity, additional wood blocking can be installed between the studs using standard 2 x 4 lumber.

Special Note 2:

Due to the narrow width of this cabinet, you may decide to use drywall anchors if the wall studs are not spaced appropriately.

IMPORTANT:

James Martin Vanities recommended you always consult with professional installers and contractors regarding the correct installation of our products.

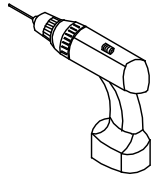


Columbia Vanity Cabinets: 388-V31.5-AGR 388-V31.5-CFO 388-V31.5-GW 388-V31.5-LTO

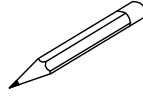
Assembly / Installation Instructions for both wall mounting (floating) and freestanding with metal base

Columbia Metal Bases: 388-B31.5-BNK 388-B31.5-MBK 388-B31.5-RGD

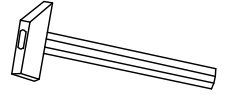
Materials for Installation:



Drill



Pencil

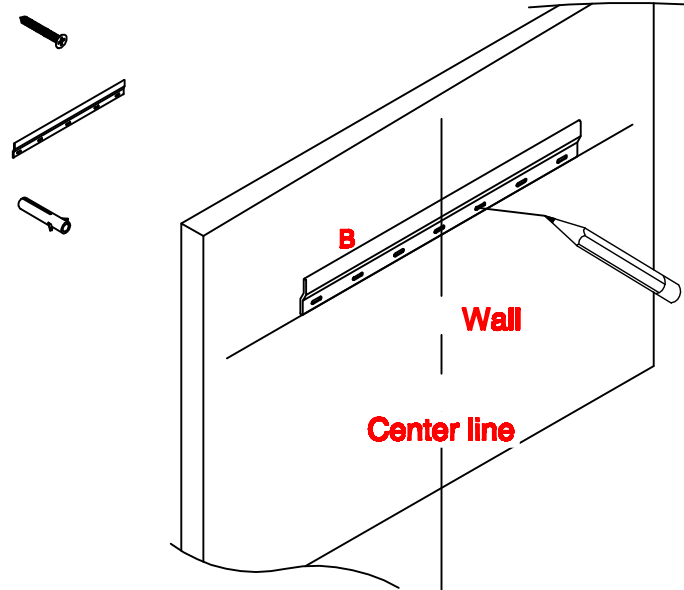


Hammer

A=7PCS screws for bracket $\text{Ø}4 \times 40$

B=1PC metal bracket (27 1/2" 700mm)

C=7PCS drywall anchors (optional)* $\text{Ø}8 \times 38$



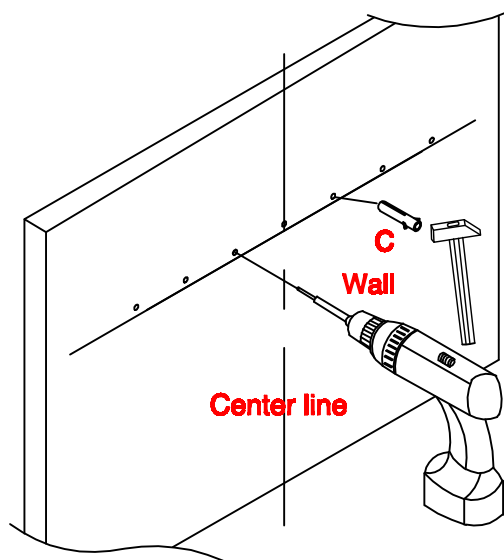
Step 4 Notes:

After you have located the wall studs, position the metal bracket so the holes align with the center points of the studs. Mark these positions with a pencil.

Step 5 Notes:

Drill holes for the screws in the positions you have marked with the pencil.

Drill the holes' depth no less than 1 1/2". insert "C" to the holes by using hammer.



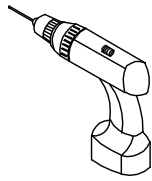


Columbia Vanity Cabinets: 388-V31.5-AGR 388-V31.5-CFO 388-V31.5-GW 388-V31.5-LTO

Assembly / Installation Instructions for both wall mounting (floating) and freestanding with metal base

Columbia Metal Bases: 388-B31.5-BNK 388-B31.5-MBK 388-B31.5-RGD

Materials for Installation:

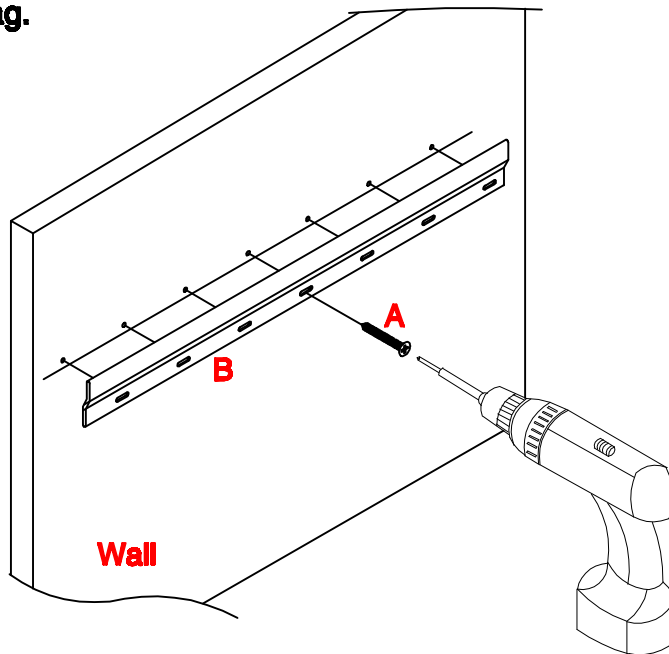


Drill

Step 6 Notes:

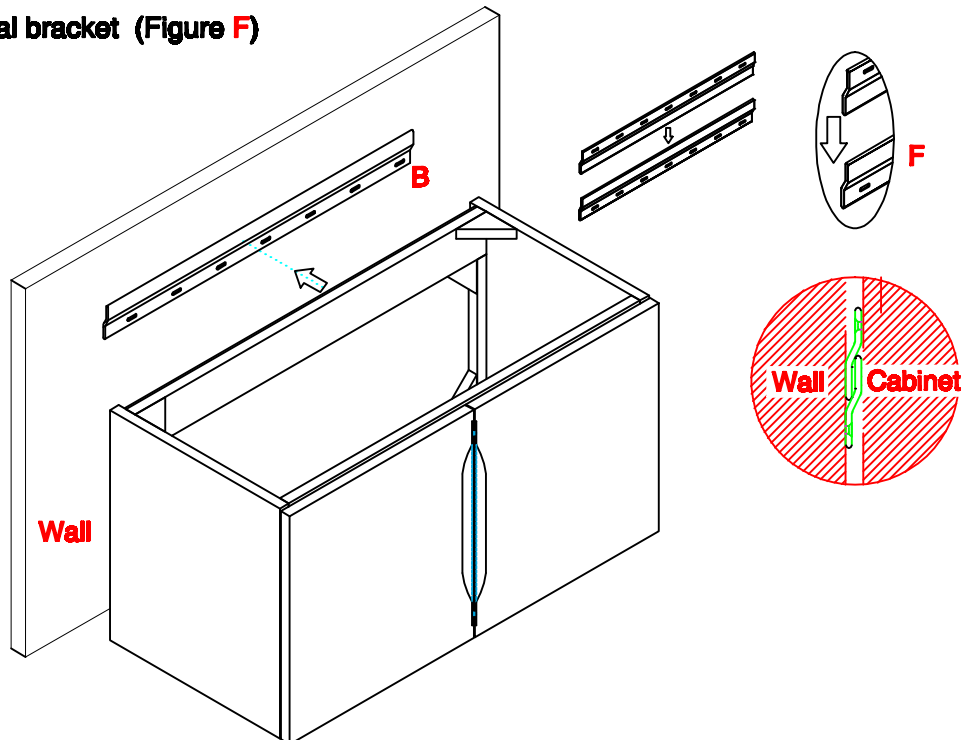
Attach the metal bracket **B** to the Wall using the screws **A** included in the red hardware bag.

*Use hardware **C** (drywall anchors) if wall studs are not in the correct positions.



Step 7 Notes:

Hang the cabinet on the metal bracket (Figure F)



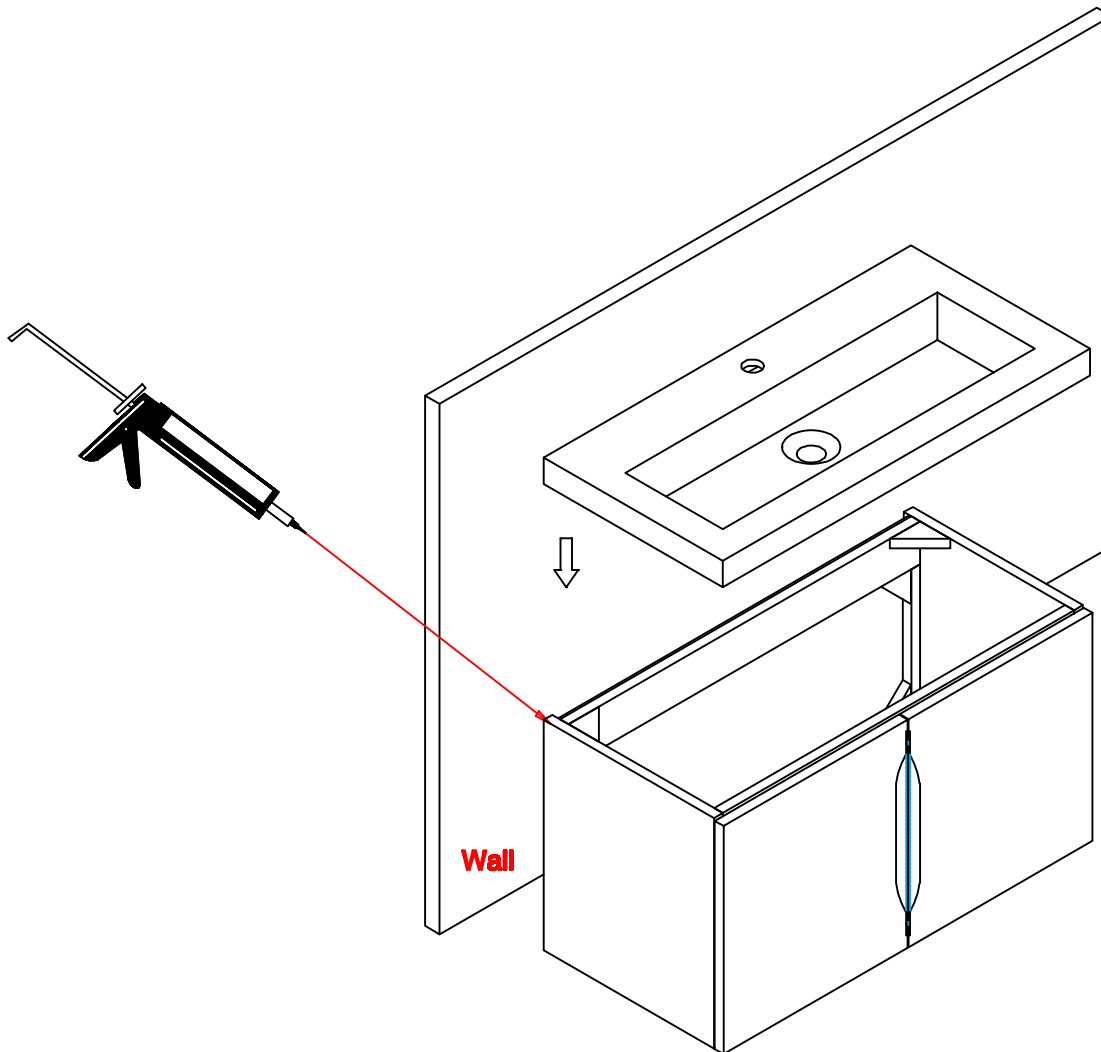
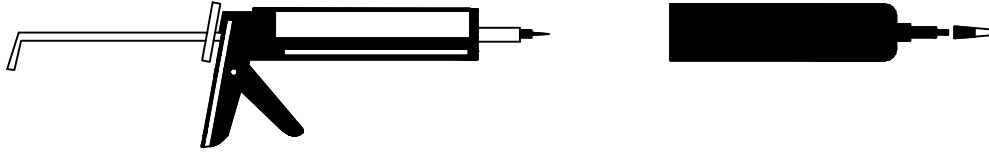


Columbia Vanity Cabinets: 388-V31.5-AGR 388-V31.5-CFO 388-V31.5-GW 388-V31.5-LTO

Assembly / Installation Instructions for both wall mounting (floating) and freestanding with metal base

Columbia Metal Bases: 388-B31.5-BNK 388-B31.5-MBK 388-B31.5-RGD

Materials for Installation:



Step 8 Notes:

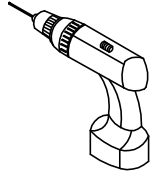
Properly align and secure the countertop to the cabinet with high quality adhesive.

Columbia Vanity Cabinets: 388-V31.5-AGR 388-V31.5-CFO 388-V31.5-GW 388-V31.5-LTO

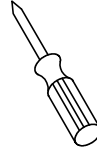
Assembly / Installation Instructions for both wall mounting (floating) and freestanding with metal base

Columbia Metal Bases: 388-B31.5-BNK 388-B31.5-MBK 388-B31.5-RGD

Materials for Installation:



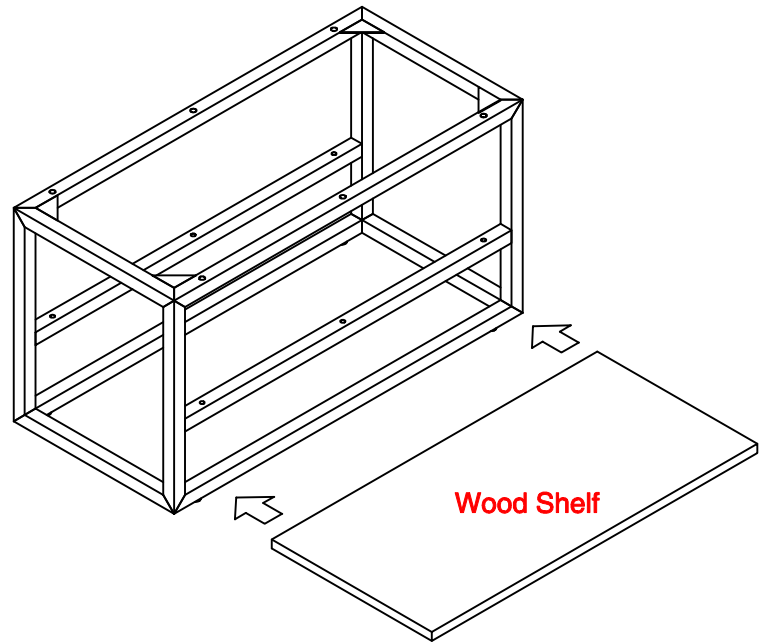
Drill



Screw driver

* For your safety and to achieve the best possible installation of this vanity cabinet, James Martin Vanities always recommends you consult with a professional contractor. Two people are required for the assembly and installation of this vanity cabinet.

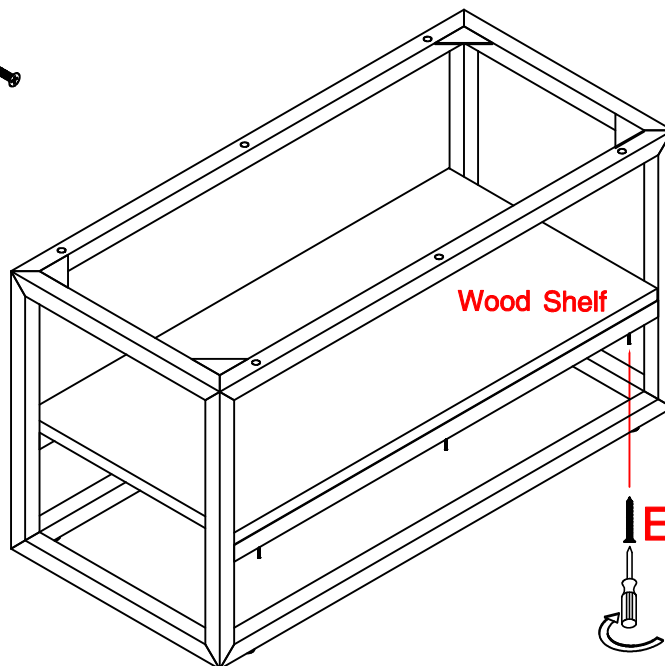
Warning: To prevent accidental tip-over of these cabinets, you must follow these steps.



Step 1b Notes:

Unpack the metal base and wood shelf and place the shelf into position resting on the lower crossbars.

E=6PCS Screw Ø4*35



Step 2b Notes:

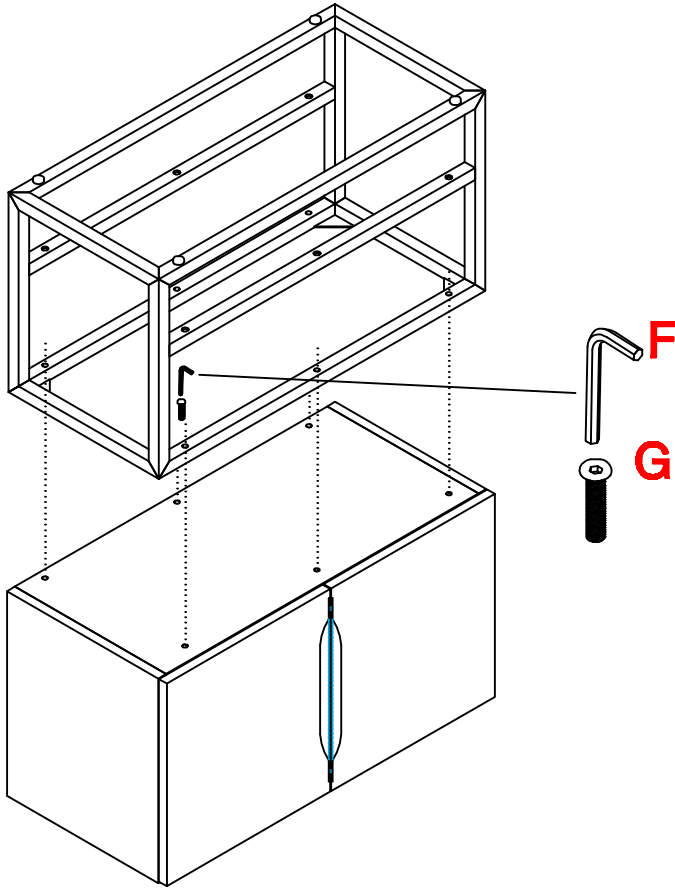
Insert and secure the screws (E) from underneath the metal base using a screw driver or an electric drill.



Columbia Vanity Cabinets: 388-V31.5-AGR 388-V31.5-CFO 388-V31.5-GW 388-V31.5-LTO

Assembly / Installation Instructions for both wall mounting (floating) and freestanding with metal base

Columbia Metal Bases: 388-B31.5-BNK 388-B31.5-MBK 388-B31.5-RGD



Step 3b Notes:

Place the vanity cabinet upside down on a blanket or other soft material, to prevent scratching.

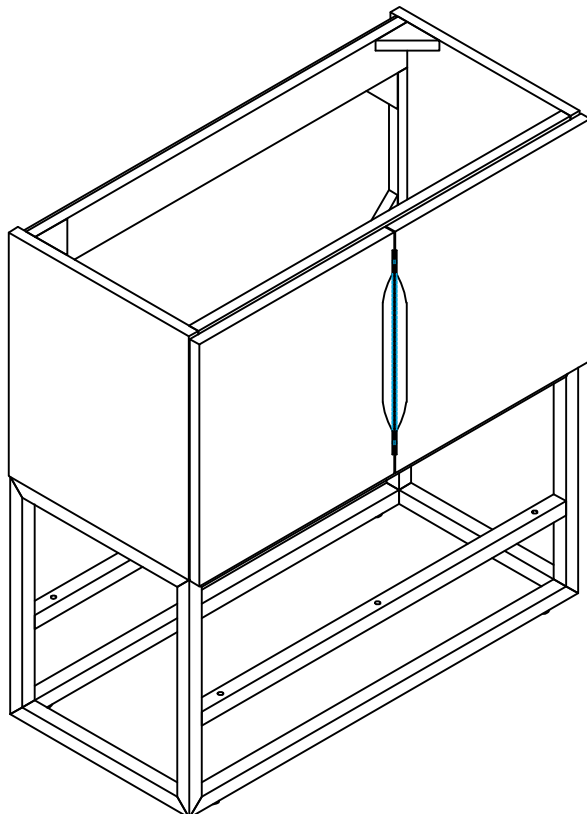
Step 4b Notes:

Attach the metal bolts (G) to the bottom of the vanity cabinet. Secure the bolts by turning the Allen Wrench (F)

F = 1 pc Allen Wrench (#4)



G = 6 x Bolts 1/4 x 1 1/2"



Step 5b Notes:

Once the metal base has been safely and securely attached to the vanity cabinet, you may return the cabinet to the upright position

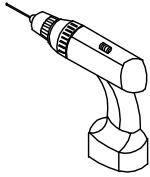


Columbia Vanity Cabinets: 388-V31.5-AGR 388-V31.5-CFO 388-V31.5-GW 388-V31.5-LTO

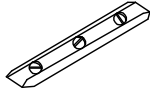
Assembly / Installation Instructions for both wall mounting (floating) and freestanding with metal base

Columbia Metal Bases: 388-B31.5-BNK 388-B31.5-MBK 388-B31.5-RGD

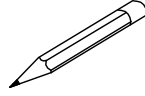
Materials for Installation:



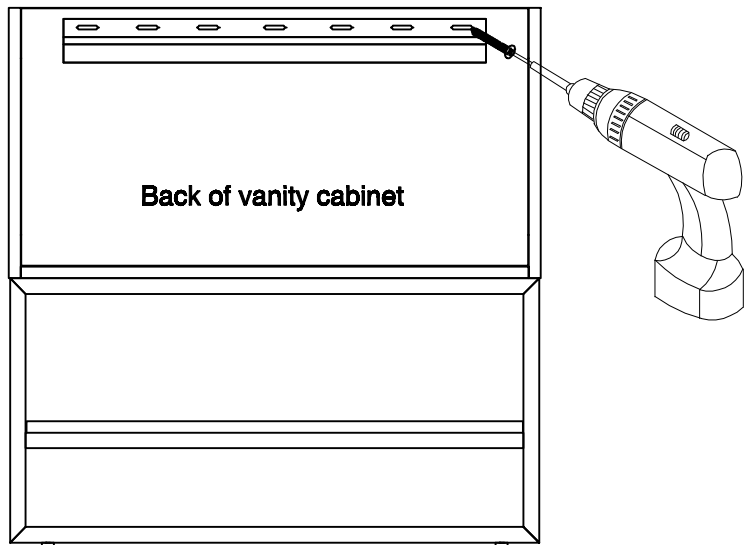
Drill



Level

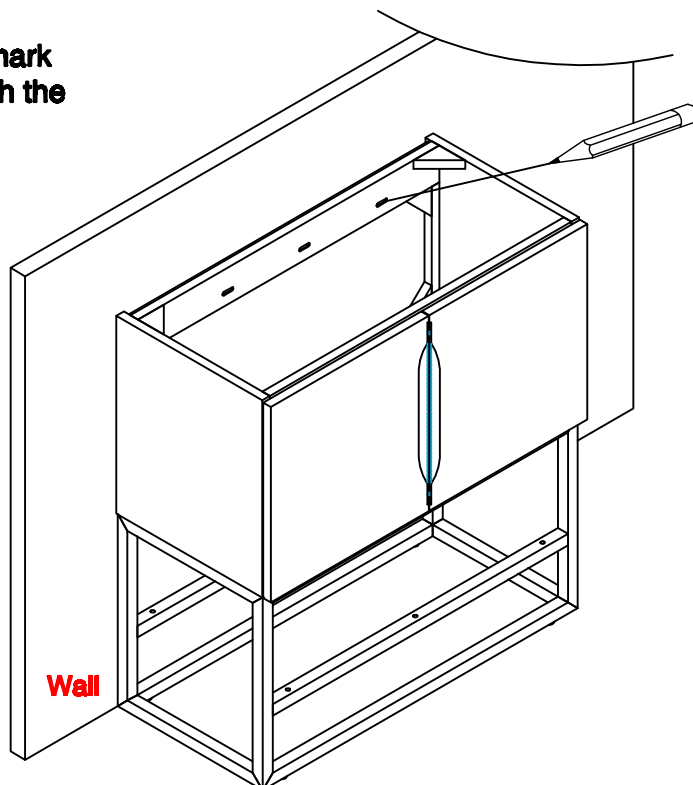


Pencil



Step 6b Notes:
Remove the pre-attached metal mounting (French Cleat) bracket

Step 7b Notes:
Put the cabinet against the wall, mark the positions with a pencil through the pre-drilled holes on the back rail.



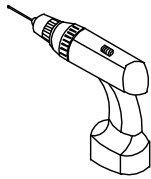


Columbia Vanity Cabinets: 388-V31.5-AGR 388-V31.5-CFO 388-V31.5-GW 388-V31.5-LTO

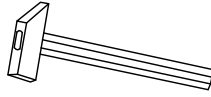
Assembly / Installation Instructions for both wall mounting (floating) and freestanding with metal base

Columbia Metal Bases: 388-B31.5-BNK 388-B31.5-MBK 388-B31.5-RGD

Materials for Installation:



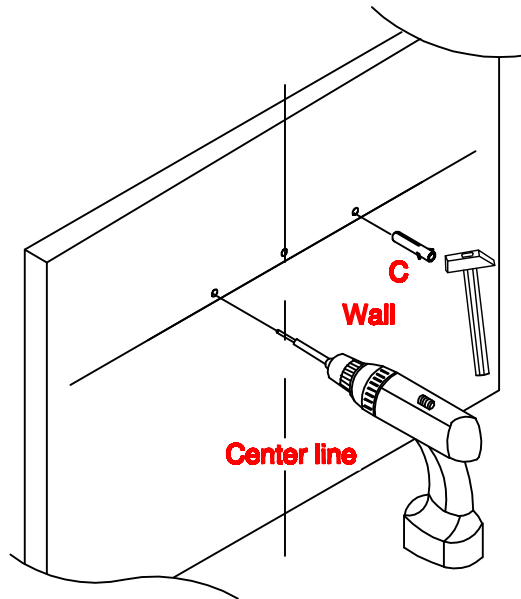
Drill



Hammer

Step 8b Notes:

Drill holes for the screws in the positions you have marked with the pencil. Drill the holes' depth no less than 1 1/2". insert hardware **C** (drywall anchors) to the holes by using hammer if wall studs are not in the correct positions.

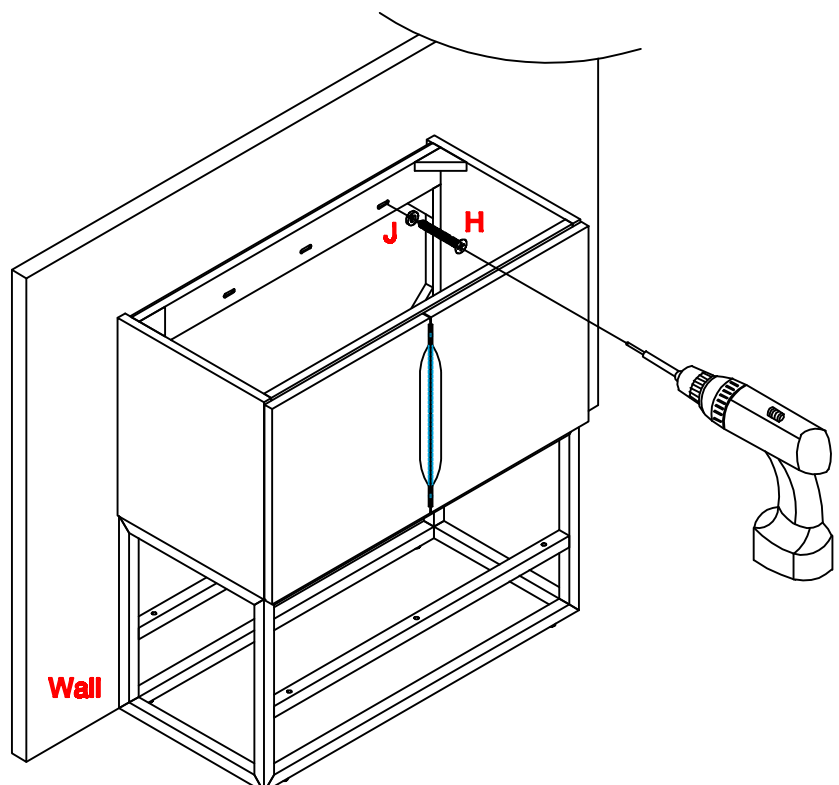


C=7PCS drywall anchors (optional)* Ø8*38



Step 9b Notes:

Secure the cabinet to the wall using hardware **H** (screws) and Flat Washer **J** for wall studs.



H=3PCS Screw Ø4*60



J=2PCS flat gasket Ø11



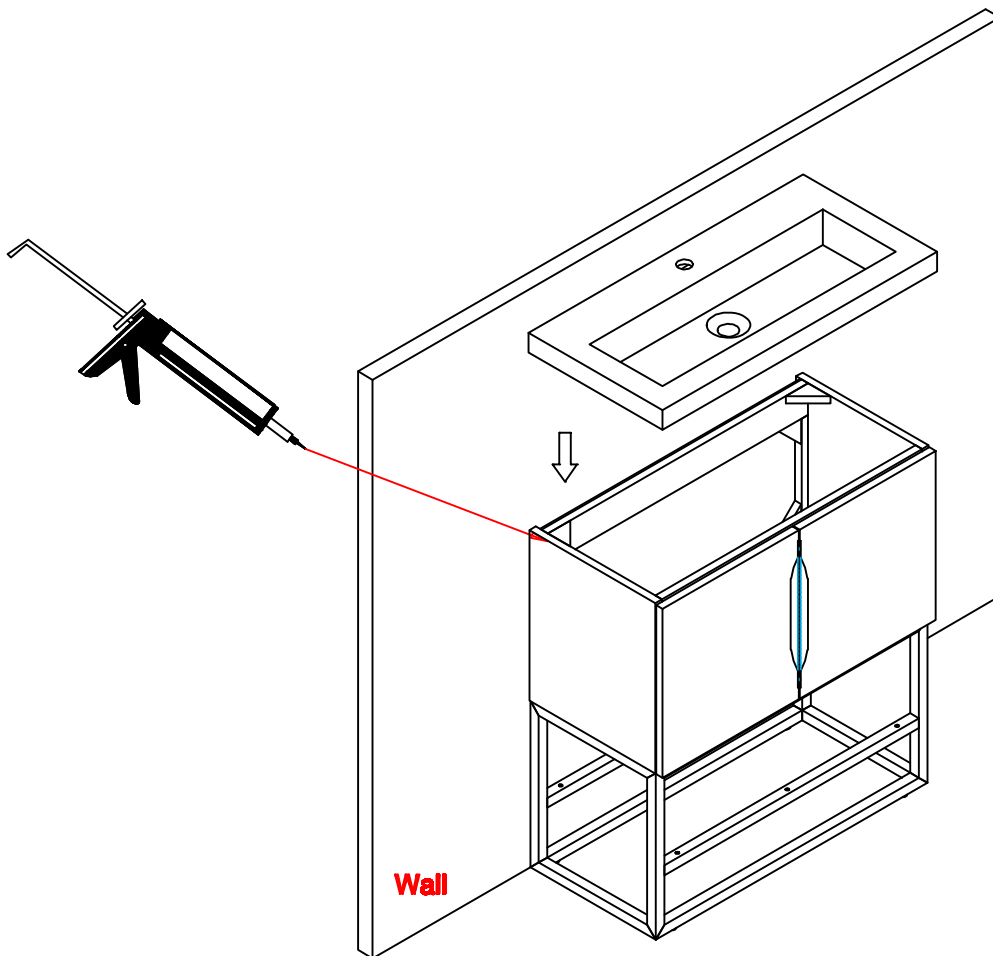
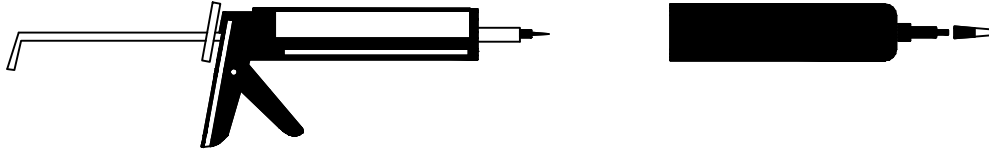


Columbia Vanity Cabinets: 388-V31.5-AGR 388-V31.5-CFO 388-V31.5-GW 388-V31.5-LTO

Assembly / Installation Instructions for both wall mounting (floating) and freestanding with metal base

Columbia Metal Bases: 388-B31.5-BNK 388-B31.5-MBK 388-B31.5-RGD

Materials for Installation:



Step 10b Notes:

Properly align and secure the countertop to the cabinet with high quality adhesive.