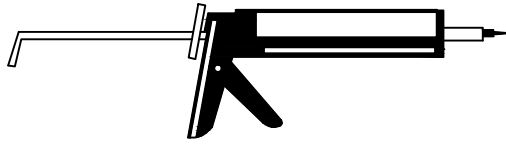


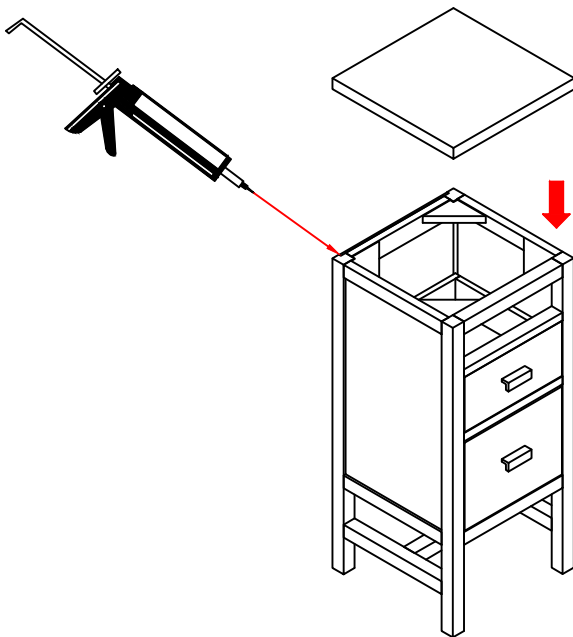
Addison 15" Base Cabinet with Drawers E444-BC15-MCA E444-BC15-GW

Assembly / Installation Instructions

Materials
for
Installation:

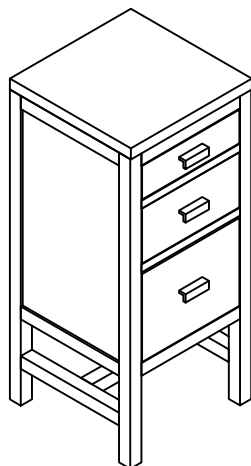


For your safety and to achieve the best possible installation of this vanity cabinet, James Martin Vanities always recommends you consult with a professional contractor. Two people are required for the assembly and installation of these cabinets.



Step 1 Notes:

Properly align and secure the countertop to the cabinet with high quality adhesive.



Step 2 Notes:

Please move the cabinet into the final position, you can use the cabinet against a side wall (corner) or use the cabinet as a free-standing item, you also can pair with a E444-H12L or a E444-H12R or a E444-H15L or a E444-H15R.