

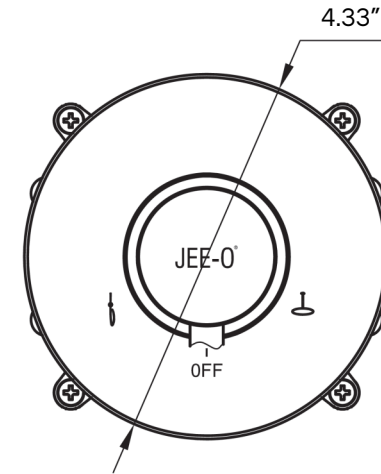
Slimline Diverter

by JEE-O

WATRLINE



-  brushed stainless steel
800-2600
-  structured black
800-2603
-  PVD bronze
800-2604
-  PVD matte gold
800-2605



SPECIFICATIONS

MATERIAL:	304 stainless steel
FEATURES:	two-way diverter
WEIGHT:	4 lbs
PACKAGE DIMENSIONS:	L 10" x W 7" x H 7"
DELIVERY WEIGHT:	5 lbs
WARRANTY:	2-year limited warranty

MAINTENANCE & CARE

BRUSHED:	Regularly apply stainless steel cleaner and rub in the direction of the grain, using a slightly abrasive sponge.
STRUCTURED BLACK:	Regularly clean with soap water or alcohol. Do not use abrasives.
PVD FINISHES:	Regularly clean with a soft cloth. Do not use abrasives.

