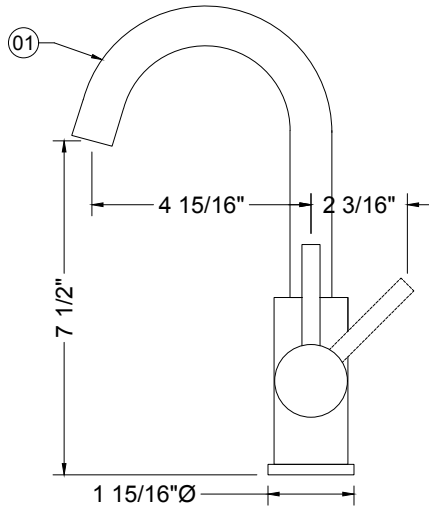


INSTALLATION INSTRUCTIONS

Contempo Faucet with Single Lever Handle Part #: 6677

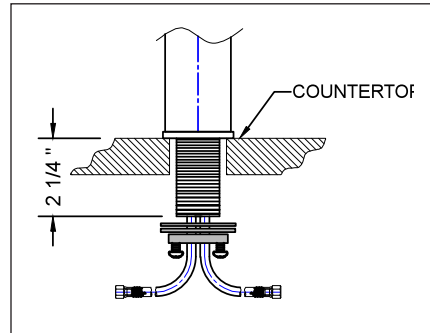
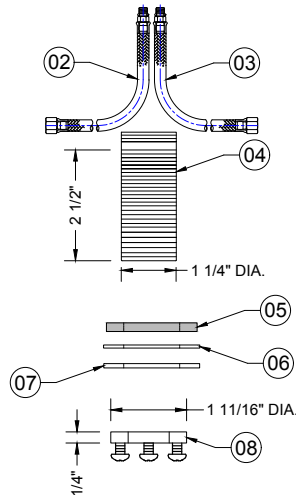


FOLLOW ALL APPLICABLE LOCAL PLUMBING CODES, PUBLIC HEALTH AND SAFETY CODES



COMPONENTS

1. SINGLE HANDLE BASIN FAUCET
2. COLD SUPPLY LINE
3. HOT SUPPLY LINE
4. MOUNTING SHANK
5. RUBBER O RING
6. RUBBER WASHER
7. METAL WASHER
8. MOUNTING NUT



INSTALLATION

1. Remove the mounting nut (8), metal washer (7) and rubber washer (6) from the mounting shank (4).
2. Confirm the mounting shank (4) is tight to the faucet body and check for rubber o ring (5) in the base.
3. From above, feed the faucet supply lines (2)(3) and insert the mounting shank (4) through hole in sink.
4. From below, feed the rubber washer (6), metal washer (7) and mounting nut (8) over the faucet supply lines (2)(3).
5. Thread the mounting nut (8) over the faucet shank (4).
6. Tighten the mounting nut (8) to the base of the sink.
7. Tighten the mounting nut (8) retaining screws until faucet is secure in the sink.
8. Connect hot (red)(2) and cold (blue)(3) supply lines to water supply.
9. Turn on hot and cold water supplies and test for leaks. Adjust accordingly.

Over Fifty Years of Excellence Proud to be an American Company



CARE INSTRUCTIONS

In order to maintain the high quality finish of JACLO products, please adhere to the following product care instructions:

Cleaning JACLO products: For routine cleaning, simply use a soft damp cloth and common household soap, then rinse and dry. Proper care of your product is important because most water contains calcium that deposits on surfaces, forming unpleasant spots. This can be avoided by routine cleaning and drying after every use. Use only mild soap detergents. JACLO products may be periodically waxed with non abrasive compounds, such as Flitz® faucet wax.

Never use abrasive cleaners, bleach, disinfectants or cleaning products containing alcohol, ammonia, hydrochloric or phosphoric acids as they will damage the product finish.

Please note: Your product warranty may not be valid if the above cleaning guidelines are not followed.

WARRANTY

Residential Warranty: Your new plumbing fixture is warranted by JACLO INDUSTRIES, 129 Dermody Street, Cranford, NJ 07016. This warranty is extended to original consumer purchasers only. This warranty gives you specific legal rights, and you may also have other rights which vary from state to state.

The product (including the finish on the product but excluding any custom finishes and any installation hardware not supplied by JACLO) is warranted to be free from defects in material or workmanship under normal use and service for the lifetime* of the fixture, so long as the original consumer purchaser owns it. JACLO's sole obligation under this or any other warranty is limited to repairing or replacing at JACLO's option, without labor, any part or parts of the fixture which fail to conform to such warranty.

JACLO WILL NOT BE LIABLE FOR ANY CONSEQUENTIAL OR INCIDENTAL DAMAGES CAUSED BY A BREACH OF THIS OR ANY OTHER WARRANTY.

Some states do not allow the exclusion of limitation of incidental or consequential damages, so the above limitation may not apply to you.

To secure warranty performance, the original consumer purchaser must have the fixture properly and professionally installed in accordance with all codes and installation instructions.

Items and actions that will void the JACLO warranty are:

- Abuse, misuse, neglect and accidental damage
- Improper cleaning, care and maintenance of the fixture
- Alteration of the fixture in any way including removal of a flow regulator/restrictor

All warranty claims must be made in accordance with the JACLO return policy (see below).

JACLO does not authorize any distributor, retailer or other person to modify this warranty or assume any liability on its behalf with respect to it. Any question regarding the operation of warranty should be addressed to JACLO's warranty department.

*Due to the unpredictable environment, all kitchen drains, strainers and garbage disposal flanges are warranted for the period of one year from date of purchase from an authorized JACLO dealer.

Un-lacquered Brass (ULB) is a living finish and is excluded from any finish warranty.

Commercial Warranty: JACLO offers the above warranty for a period of one year from date of purchase to purchasers of products for industrial, commercial, business and all non-private residential uses.

JACLO RETURN, SHIPMENT, DAMAGE, SHORTAGE CLAIM POLICY & CHANGES IN DESIGN

All returns must be accompanied by a JACLO Return Goods Authorization (RGA). Please contact JACLO customer service for instructions on obtaining a return authorization. Once the product(s) are returned they will be subject to inspection by the JACLO returns department. Pending the results of the inspection final disposition may be one of the following:

- Full credit, i.e. Manufacturer defect (see limited lifetime warranty), shipped in error and is in a resell condition
- Credit with 25% restock charge for returned product six months old or less. 50% restock charge for returned product over six months old. Minimum return value \$25 net.
- No returns or exchanges of discontinued products or on product over one year old from date of sale.
- No credit, returned product cannot be resold in its current condition and does not fall under JACLO's warranty
- A return authorization will not be issued on a product that is discontinued or over one year old from date of sale

Credit for original part is subject to the return and disposition of original item.

All returned items declared "No credit" will be disposed of after 30 days from date of receipt by JACLO.

All custom items are subject to final sale and cannot be returned for credit.

All replacement product will be shipped and invoiced.

All shortage and damage claims must be made within 7 days of receipt of the shipment.

The Company is constantly striving to affect improvements in its products. This may require the changes be made from time to time with respect to the design of its products. Therefore, the Company reserves the right to affect reasonable changes of any kind without notice and to deliver revised products in fulfillment of any accepted order unless this right is specifically waived on the face of the Consumer's Acknowledgment.

JACLO prides itself in striving for design excellence and is a member of these fine industry trade associations:

